

AG3 CIRCULATOR | SINGLE-HEAD MULTI SPEED | 40-190Z | SUBMITTAL

File No: 10.8520IEC
Date: FEBRUARY 25, 2020
Supersedes: 10.8520IEC
Date: MAY 10, 2017

Job: _____ Representative: _____
 _____ Ordered by: _____ Date: _____
 Engineer: _____ Submitted by: _____ Date: _____
 Contractor: _____ Approved by: _____ Date: _____

PUMP DETAILS

TAG	MODEL	FLOW	HEAD	SYSTEM	LOCATION

MOTOR DESIGN DATA

Motor enclosure: IP44
Power supply: 400/3/50
Insulation class: Class 200
Motor efficiency: $EEI \leq 0.22$
Inverter/motor type: Asynchronous motor
Motor speed: Multi speed

ELECTRICAL DATA

3×400,50HZ, IEC38	P1[W]	I [AMPS]
Auto min.	225	0.5
Auto max.	1260	2.24

ELECTRICAL CONNECTION

Type: 4 wires (L1, L2,L3,Earth)
Connector: 4 pins connector & cable gland

MATERIALS OF CONSTRUCTION

Impeller: Noryl
Casing gasket: EPDM 70 Shore
Bearings: Graphite /Ceramics
Pump casing: Bronze
Shaft: Stainless steel/Ceramics
Can: Stainless steel

MECHANICAL CONNECTION

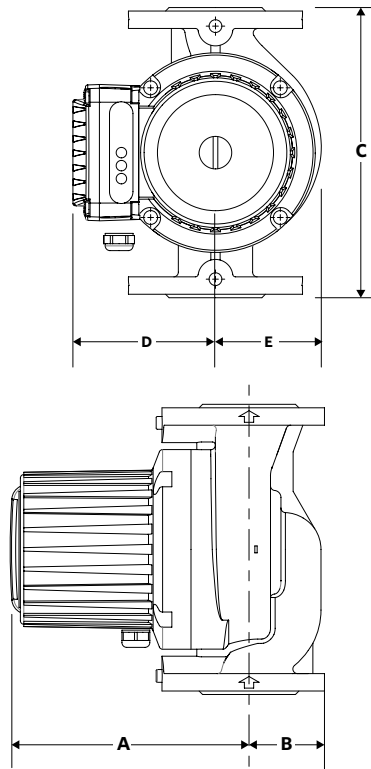
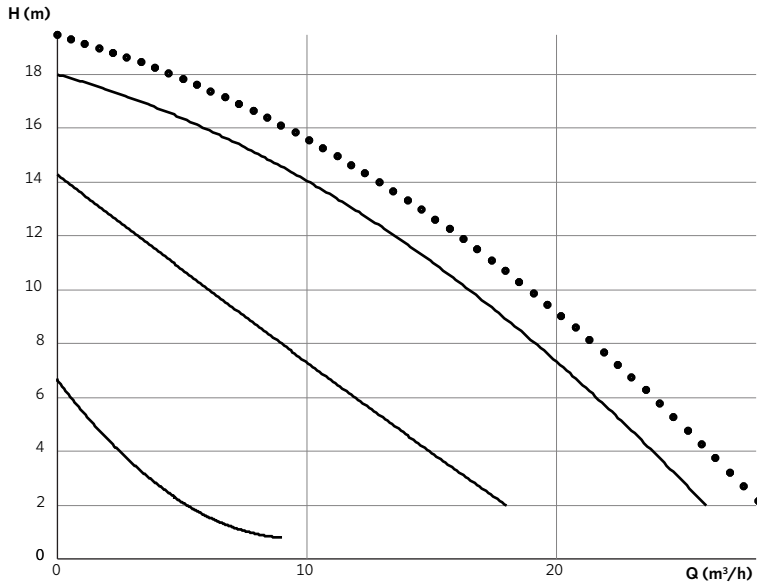
Type: Flanged
Pressure rating: PN10
Size: DN40

ENVIRONMENT LIMIT DATA

Water temp max: 110°C
Water temp min : 2°C
Ambient temp. max: 40°C
Min. pressure: 0.05 BAR < 75°C,
 0.28 BAR < 90°C

DIMENSIONS

A	B	C	D	E	WEIGHT
mm (inches)					kg (lbs)
240 (9.4)	65 (2.5)	280 (11.0)	125 (4.9)	92 (3.6)	22.0 (50.7)



TORONTO

+1 416 755 2291

BUFFALO

+1 716 693 8813

BIRMINGHAM

+44 (0) 8444 145 145

MANCHESTER

+44 (0) 8444 145 145

BANGALORE

+91 (0) 80 4906 3555

SHANGHAI

+86 (0) 21 5237 0909

SÃO PAULO

+55 11 4785 1330

LYON

+33 (0) 420 102 625

DUBAI

+971 4 887 6775

MANNHEIM

+49 (0) 621 3999 9858