

# AGE3 CIRCULATOR | SINGLE-HEAD VARIABLE SPEED | 65-80 | SUBMITTAL

File No: 10.8570IEC  
Date: FEBRUARY 25, 2020  
Supersedes: 10.8570IEC  
Date: MAY 10, 2017

Job: \_\_\_\_\_ Representative: \_\_\_\_\_  
 \_\_\_\_\_ Ordered by: \_\_\_\_\_ Date: \_\_\_\_\_  
 Engineer: \_\_\_\_\_ Submitted by: \_\_\_\_\_ Date: \_\_\_\_\_  
 Contractor: \_\_\_\_\_ Approved by: \_\_\_\_\_ Date: \_\_\_\_\_

## PUMP DETAILS

| TAG | MODEL | FLOW | HEAD | SYSTEM | LOCATION |
|-----|-------|------|------|--------|----------|
|     |       |      |      |        |          |
|     |       |      |      |        |          |

### MOTOR DESIGN DATA

**Motor enclosure:** IP44  
**Power supply:** 230/1/50  
**Insulation class:** F  
**Motor efficiency:**  $EEI \leq 0.22$   
**Inverter/motor type:** ECM/Permanent magnet  
**Motor speed:** Variable speed

### ELECTRICAL DATA

| 1x230,50HZ, IEC38 | P1[W] | I [AMPS] |
|-------------------|-------|----------|
| Auto min.         | 25    | 2.6      |
| Auto max.         | 560   | 3.8      |

### ELECTRICAL CONNECTION

**Type:** 3 wires (L,N,Earth)  
**Connector:** 3 pins connector & cable gland

### BMS CONNECTIVITY

**Input/output:** 1 x analogue I/O, 1 x digital I/O and 1 x relay  
**Serial communication:** Modbus RTU and Ethernet

### MATERIALS OF CONSTRUCTION

**Impeller:** PES  
**Casing gasket:** EPDM 70 Shore  
**Bearings:** Graphite  
**Pump casing:** Cast iron  
**Shaft:** Stainless steel  
**Can:** Stainless steel

### MECHANICAL CONNECTION

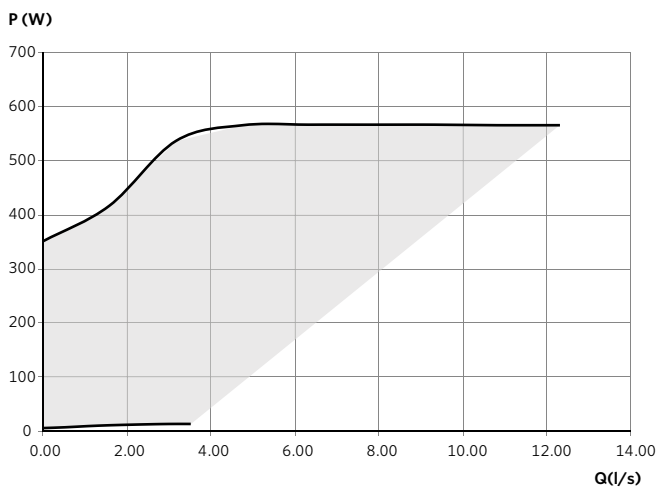
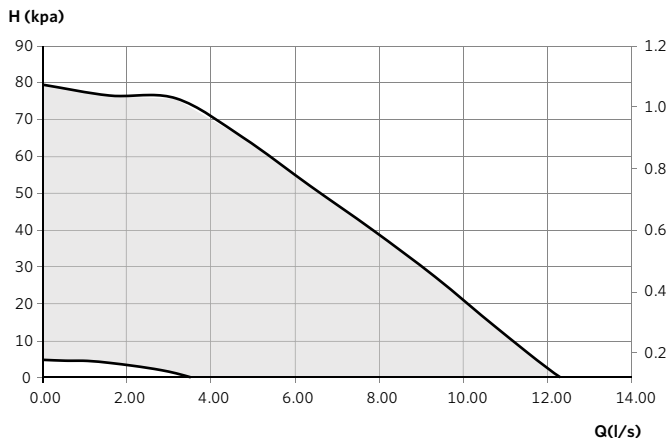
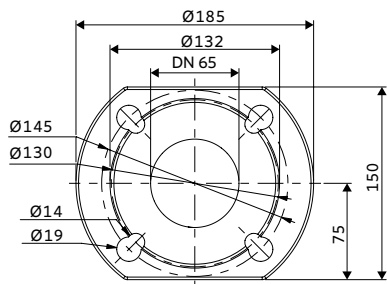
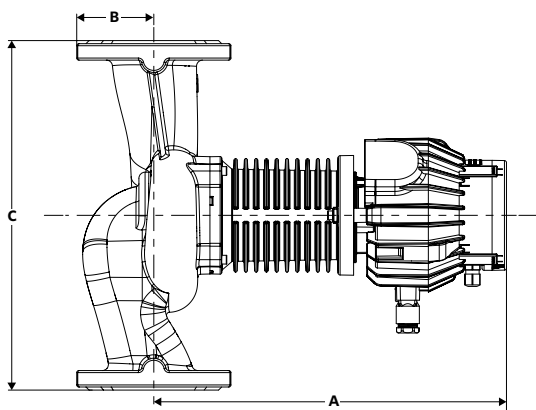
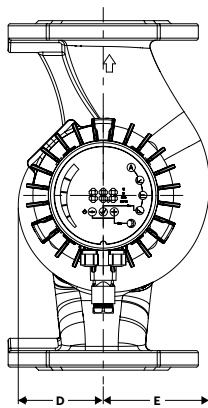
**Type:** Flanged  
**Pressure rating:** PN10  
**Size:** DN65

### ENVIRONMENT LIMIT DATA

**Water temp max:** 110°C  
**Water temp min :** 2°C  
**Ambient temp. max:** 40°C  
**Min. pressure:** 0.05 BAR < 75°C,  
 0.28 BAR < 90°C

**DIMENSIONS**

| A           | B        | C          | D        | E         | WEIGHT      |
|-------------|----------|------------|----------|-----------|-------------|
| mm (inches) |          |            |          |           | kg (lbs)    |
| 343 (13.5)  | 75 (2.9) | 340 (13.4) | 83 (3.3) | 103 (4.1) | 13.0 (28.7) |



**TORONTO**

+1 416 755 2291

**BUFFALO**

+1 716 693 8813

**BIRMINGHAM**

+44 (0) 8444 145 145

**MANCHESTER**

+44 (0) 8444 145 145

**BANGALORE**

+91 (0) 80 4906 3555

**SHANGHAI**

+86 (0) 21 5237 0909

**SÃO PAULO**

+55 11 4785 1330

**LYON**

+33 (0) 420 102 625

**DUBAI**

+971 4 887 6775

**MANNHEIM**

+49 (0) 621 3999 9858