

AGE3D CIRCULATOR | TWIN HEAD VARIABLE SPEED | 65-80 | SUBMITTAL

File No: 10.8600IEC
Date: FEBRUARY 25, 2020
Supersedes: 10.8600IEC
Date: MAY 10, 2017

Job: _____ Representative: _____
 _____ Ordered by: _____ Date: _____
 Engineer: _____ Submitted by: _____ Date: _____
 Contractor: _____ Approved by: _____ Date: _____

PUMP DETAILS

| TAG | MODEL | FLOW | HEAD | SYSTEM | LOCATION |
|-----|-------|------|------|--------|----------|
| | | | | | |
| | | | | | |

MOTOR DESIGN DATA

Motor enclosure: IP44
Power supply: 230/1/50
Insulation class: F
Motor efficiency: $EEI \leq 0.22$
Inverter/motor type: ECM/Permanent magnet
Motor speed: Variable speed

ELECTRICAL DATA

| 1x230,50HZ, IEC38 | P1[W] | I [AMPS] |
|-------------------|-------|----------|
| Auto min. | 25 | 2.6 |
| Auto max. | 560 | 3.8 |

ELECTRICAL CONNECTION

Type: 3 wires (L,N,Earth)
Connector: 3 pins connector & cable gland

BMS CONNECTIVITY

Input/output: 1 x analogue I/O, 1 x digital I/O and 1 x relay
Serial communication: Modbus RTU and Ethernet

MATERIALS OF CONSTRUCTION

Impeller: PES
Casing gasket: EPDM 70 Shore
Bearings: Graphite
Pump casing: Cast iron
Shaft: Stainless steel
Can: Stainless steel

MECHANICAL CONNECTION

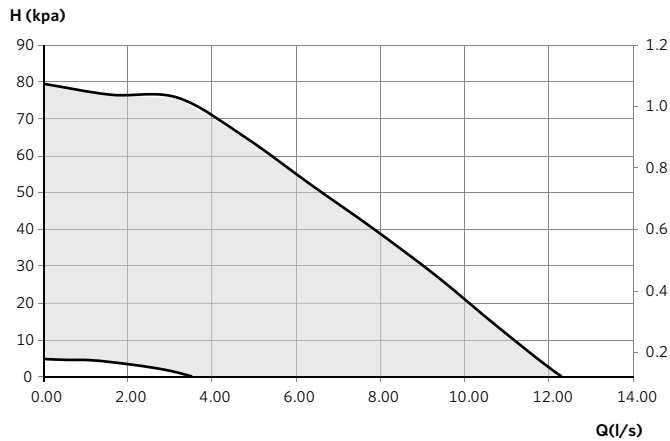
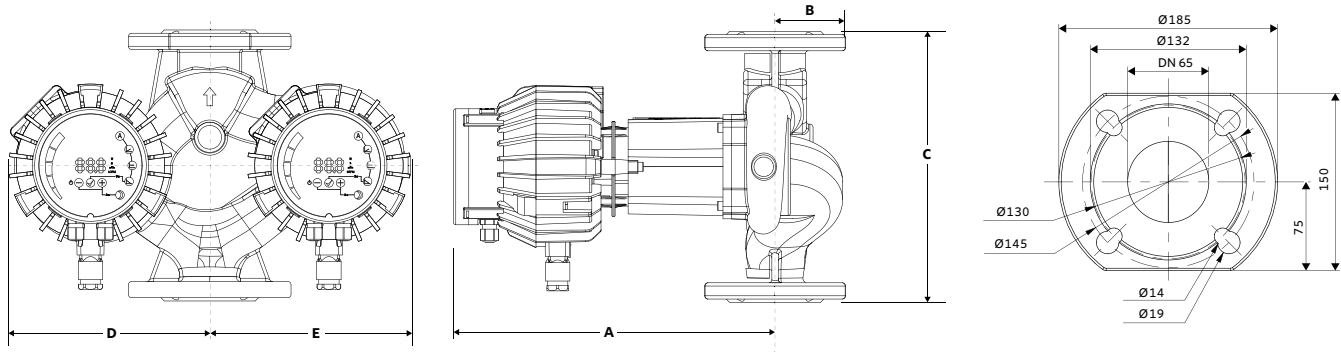
Type: Flanged
Pressure rating: PN10
Size: DN65

ENVIRONMENT LIMIT DATA

Water temp max: 110°C
Water temp min : 2°C
Ambient temp. max: 40°C
Min. pressure: 0.05 BAR < 75°C,
 0.28 BAR < 90°C

DIMENSIONS

| A | B | C | D | E | WEIGHT |
|-------------|----------|------------|-----------|-----------|-----------|
| mm (inches) | | | | | kg (lbs) |
| 343 (13.5) | 75 (3.0) | 340 (13.4) | 216 (8.5) | 226 (8.9) | 28 (61.7) |



TORONTO
+1 416 755 2291

BUFFALO
+1 716 693 8813

BIRMINGHAM
+44 (0) 8444 145 145

MANCHESTER
+44 (0) 8444 145 145

BANGALORE
+91 (0) 80 4906 3555

SHANGHAI
+86 (0) 21 5237 0909

SÃO PAULO
+55 11 4785 1330

LYON
+33 (0) 420 102 625

DUBAI
+971 4 887 6775

MANNHEIM
+49 (0) 621 3999 9858

