

# AGE4D CIRCULATOR | TWIN HEAD VARIABLE SPEED | 30-100 | SUBMITTAL

File No: 10.8584IEC  
Date: SEPTEMBER 30, 2022  
Supersedes: 10.8584IEC  
Date: FEBRUARY 25, 2020

Job: \_\_\_\_\_ Representative: \_\_\_\_\_  
 \_\_\_\_\_ Ordered by: \_\_\_\_\_ Date: \_\_\_\_\_  
 Engineer: \_\_\_\_\_ Submitted by: \_\_\_\_\_ Date: \_\_\_\_\_  
 Contractor: \_\_\_\_\_ Approved by: \_\_\_\_\_ Date: \_\_\_\_\_

## PUMP DETAILS

TAG	MODEL	FLOW	HEAD	SYSTEM	LOCATION

### MOTOR DESIGN DATA

**Motor enclosure:** IP44  
**Power supply:** 230/1/50  
**Insulation class:** F  
**Motor efficiency:**  $EEI \leq 0.21$   
**Inverter/motor type:** ECM/Permanent magnet  
**Motor speed:** Variable speed

### ELECTRICAL DATA

1x230,50HZ, IEC38	P1[W]	I [AMPS]
Auto min.	10	0.10
Auto max.	180	1.5

### ELECTRICAL CONNECTION

**Type:** 3 wires (L,N,Earth)  
**Connector:** 3 pins connector & cable gland

### BMS CONNECTIVITY

**Input/output:** 1 x analogue I/O, 1 x digital I/O and 1 x relay  
**Serial communication:** Modbus RTU and Ethernet

### MATERIALS OF CONSTRUCTION

**Impeller:** PES  
**Casing gasket:** EPDM 70 Shore  
**Bearings:** Graphite  
**Pump casing:** Cast iron  
**Shaft:** Stainless steel  
**Can:** Stainless steel

### MECHANICAL CONNECTION

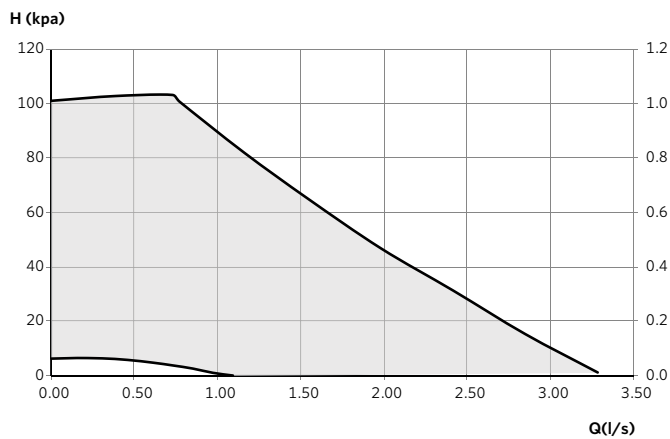
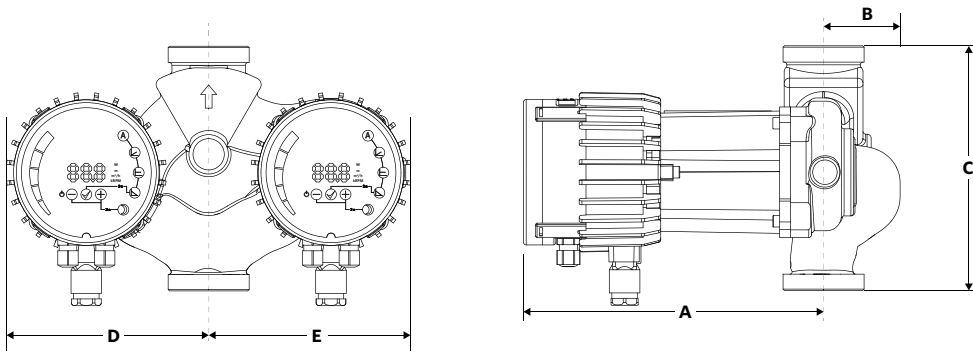
**Type:** Threaded  
**Pressure rating:** PN10  
**Size:** G2"

### ENVIRONMENT LIMIT DATA

**Water temp max:** 110°C  
**Water temp min :** 2°C  
**Ambient temp. max:** 40°C  
**Min. pressure:** 0.05 bar < 75°C,  
 0.28 bar < 90°C

**DIMENSIONS**

A	B	C	D	E	WEIGHT
mm (inches)					kg (lbs)
222 (8.7)	56 (2.2)	180 (7.1)	149 (5.9)	149 (5.9)	8.6 (18.9)



TORONTO  
+1 416 755 2291

BUFFALO  
+1 716 693 8813

DROITWICH SPA  
+44 8444 145 145

MANCHESTER  
+44 8444 145 145

BANGALORE  
+91 80 4906 3555

SHANGHAI  
+86 21 5237 0909

BEIJING  
+86 21 5237 0909

SÃO PAULO  
+55 11 4785 1330

LYON  
+33 4 26 83 78 74

DUBAI  
+971 4 887 6775

MANNHEIM  
+49 621 3999 9858

JIMBOLIA  
+40 256 360 030

