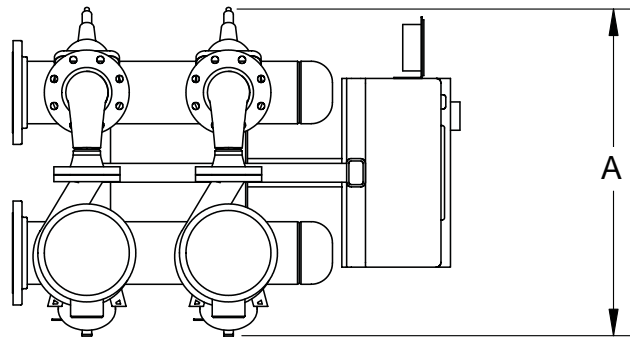
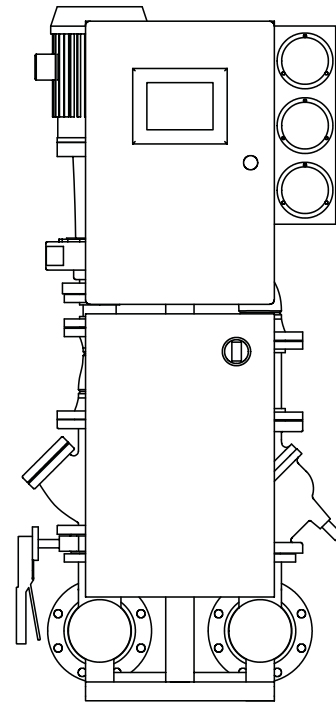
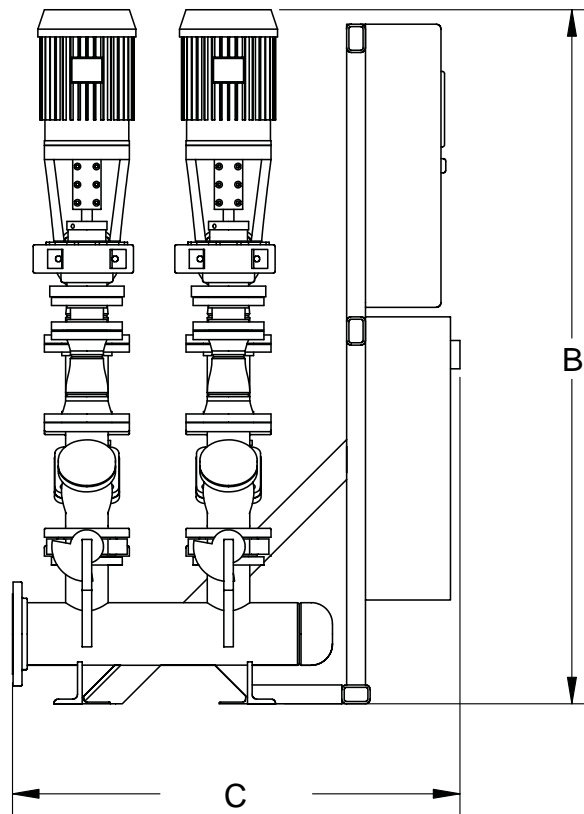


## ARMPak 6 - 4200V Variable Speed Duplex

## SUBMITTAL



NOTE:  
SYSTEM SHOWN WITH  
OPTIONAL TOUCH SCREEN



MAX. DIMENSIONS inches (mm)		
A	B	C
37.50 (952)	83.00 (2108)	48.00 (1219)

PROJECT:	DATE:	
ORDER NO.:	DWG #: ARMPak 6 D D 0 VS 0310	DATE: 07/05/03
CERTIFIED BY:		REVISED:

Armstrong Pumps Inc.  
93 East Avenue  
North Tonawanda, New York  
U.S.A. 14120-6594  
Tel: (716) 693-8813  
Fax: (716) 693-8970  
www.armstrongpumps.com

S.A. Armstrong Limited  
23 Bertrand Avenue  
Toronto, Ontario  
Canada, M1L 2P3  
Tel: (416) 755-2291  
Fax: (416) 759-9101



© S.A. Armstrong Limited 2003

Armstrong Pumps Limited  
Peartree Road, Stanway  
Colchester, Essex  
United Kingdom, CO3 0LP  
Tel: +44 (0) 1206 579491  
Fax: +44 (0) 1206 760532

Armstrong Darling  
9001 De L'Innovation, Suite 200  
Montreal, Quebec  
Canada, H1J 2X9  
Tel: (514) 352-2424  
Fax: (514) 352-2425

