

# DESIGN ENVELOPE 4200H END SUCTION

## 40-125 (2x1.5x5) | 4012H-002.2 | SUBMITTAL

File No: 103.5411IEC  
 Date: MARCH 25, 2021  
 Supersedes: 103.5411IEC  
 Date: SEPTEMBER 5, 2019

Job: \_\_\_\_\_ Representative: \_\_\_\_\_  
 \_\_\_\_\_ Order No: \_\_\_\_\_ Date: \_\_\_\_\_  
 Engineer: \_\_\_\_\_ Submitted by: \_\_\_\_\_ Date: \_\_\_\_\_  
 Contractor: \_\_\_\_\_ Approved by: \_\_\_\_\_ Date: \_\_\_\_\_

### PUMP DESIGN DATA

No. of pumps: \_\_\_\_\_ Tag: \_\_\_\_\_  
 Capacity: \_\_\_\_\_ L/s (USgpm) Head: \_\_\_\_\_ m (ft)  
 Liquid: \_\_\_\_\_ Viscosity: \_\_\_\_\_  
 Temperature: \_\_\_\_\_ °C (°F) Specific gravity: \_\_\_\_\_  
 Suction: 50 mm (2") Discharge: 40 mm (1.5")  
 MEI ≥ 0.70

### MATERIALS OF CONSTRUCTION

- PN 16**  
 CONSTRUCTION: LPDESF  
 E-coated ductile iron A536 Gr 65-45-12, stainless fitted
- PN 25**  
 CONSTRUCTION: HPDESF  
 E-coated ductile iron A536 Gr 120-90-2, stainless fitted

### MAXIMUM PUMP OPERATING CONDITIONS

- PN 16**  
 16 bar at 49°C (232 psig at 120°F)  
 7 bar at 150°C (100 psig at 300°F)
- PN 25**  
 25 bar at 65°C (362 psig at 149°F)  
 21 bar at 150°C (304 psig at 300°F)

### MECHANICAL SEAL DESIGN DATA

See file no. 43.50 for standard mechanical seal details as indicated below  
 Armstrong seal reference number  
 c1 (a)     Others: \_\_\_\_\_

### FLOW READOUT ACCURACY

The Design Envelope model selected will provide flow reading on the controls local keypad & digitally for the BMS. The model readout will be factory tested to ensure ±5% accuracy.

### DEPM MOTOR AND CONTROL DATA

**kW:** 2.2  
**RPM:** 3000  
**Motor enclosure:** TEFC  
**Volts:** \_\_\_\_\_  
**Phase:** 3  
**Efficiency:** IE5  
**Orientation:**  L5 (default)     L6  
**Protocol (standard):**  BACnet™ MS/TP  
 BACnet™ TCP/IP  
 Modbus RTU  
**Control enclosure:**  Indoor - IP 55  
**Fused disconnect switch:** Consult factory  
**EMI/RFI control:** Integrated filter designed to meet EN61800-3  
**Harmonic suppression:** Equivalent: 5% AC line reactor - Supporting IEEE 519-1992 requirements\*\*  
**Cooling:** Fan-cooled, surface cooling  
**Ambient temperature:** -10°C to +45°C up to 1000 meters above sea level (+14°F to +113°F, 3300 ft)  
**Analog I/O:** Two inputs, one output. Output can be configured for voltage or current  
**Digital I/O:** Two inputs, two outputs. Outputs can be configured as inputs  
**Relay outputs:** Two programmable  
**Communication port:** 1-RS485

\*\* If supplied with the system electrical details, Armstrong will run a computer simulation of the system wide harmonics. If system harmonic levels are exceeded Armstrong can also recommend additional harmonic mitigation and the costs for such mitigation.

### OPTIONS

#### SENSORLESS BUNDLE (STANDARD)



Operation of pump without a remote sensor. Includes:

- Sensorless control
- Flow readout
- Constant flow
- Constant pressure

Minimum system pressure to be maintained \_\_\_\_\_ m (ft)

\* If minimum maintained system pressure is not known:  
Default to 40% of design head

#### PARALLEL SENSORLESS



Operation of multiple pumps without a remote sensor

Minimum system pressure to be maintained \_\_\_\_\_ m (ft)

\* If minimum maintained system pressure is not known:  
Default to 40% of design head

#### ENERGY PERFORMANCE BUNDLE



Provides energy savings on oversized systems by adjusting pump parameters to on-site conditions. Includes:

- **Auto-flow balancing** - Automatically determines control curve between design flow at on-site system head, and minimum (zero-head) flow for energy savings
- **Maximum flow control** - Limits flow rate to pre-set maximum for potential energy savings

Maximum flow rate \_\_\_\_\_ L/s (gpm)

\*Only available if sensorless bundle is enabled  
\*Available in single pump operation only

#### PROTECTION BUNDLE



Protects other flow sensitive equipment by setting limits of pump operation. Includes:

- **Minimum flow control** - Attempts to maintain flow rate to pre-set minimum to protect equipment in system
- **Bypass valve control** - Actuates a bypass valve to protect flow sensitive equipment if pre-set minimum flow rate is reached

Minimum flow rate \_\_\_\_\_ L/s (gpm)

\*Only available if sensorless bundle is enabled

#### DUAL SEASON SETUP



Pre-sets heating and cooling parameters for pumps in 2-pipe systems

##### Cooling

Duty point \_\_\_\_\_ L/s (gpm) at \_\_\_\_\_ m (ft)

Minimum system pressure to be maintained \_\_\_\_\_ m (ft)

##### Heating

Duty point \_\_\_\_\_ L/s (gpm) at \_\_\_\_\_ m (ft)

Minimum system pressure to be maintained \_\_\_\_\_ m (ft)

\*Available in single pump operation only

### OPTIONAL SERVICES

#### ON-SITE PUMP COMMISSIONING



#### PUMP MANAGER

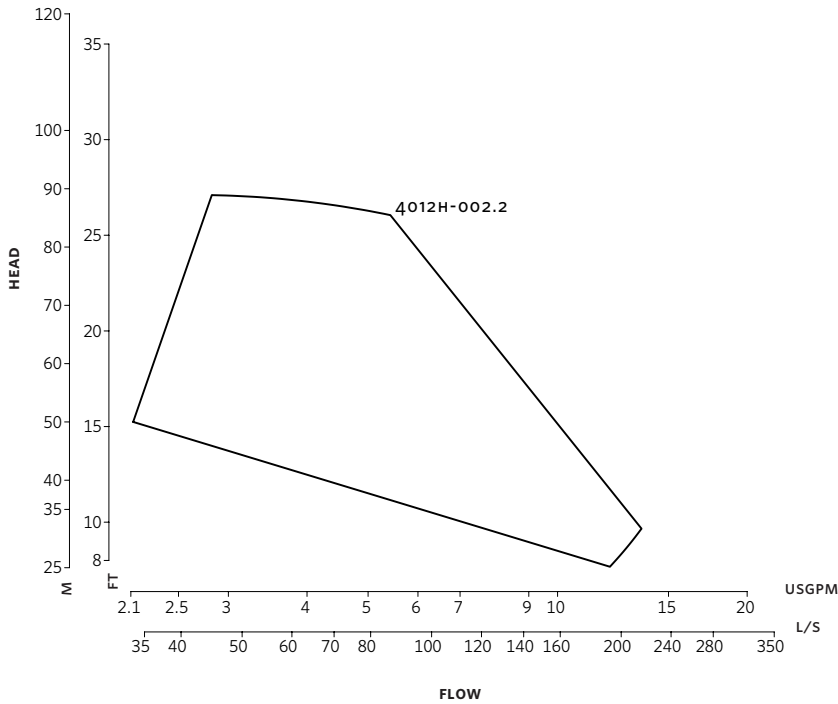


Online service for sustained pump performance and enhanced reliability.

Available in 3 or 5 year terms

\* Requires an internet connection to be provided by building

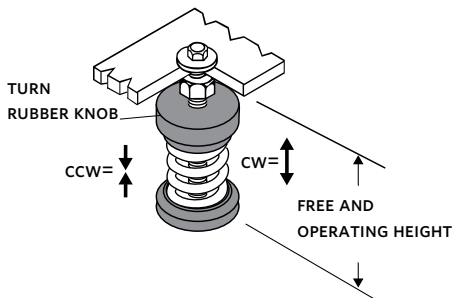
\* Includes an extended warranty for parts and labour (wearable parts excluded)



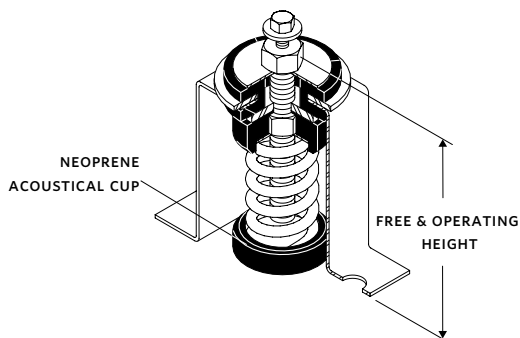
Performance curves are for reference only.

Confirm current performance data with Armstrong ADEPT Quote or ADEPT Select selection software.

**STANDARD**



**SEISMIC MOUNT OPTION**



**NOTE:**  
All springs have additional travel to solid equal to 50% of the rated deflection.

**DIMENSION DATA**

**STANDARD**

<b>Size:</b>	2×1.5×5
<b>kW:</b>	2.2
<b>RPM:</b>	3000
<b>HA:</b>	262 (10.32)
<b>HD:</b>	222 (8.75)
<b>HI:</b>	531 (20.91)
<b>HV:</b>	208 (8.18)
<b>X:</b>	178 (7.00)
<b>Y:</b>	102 (4.00)
<b>Free &amp; operating height:</b>	95 (3.75)
<b>Weight:</b>	41.0(90.4)

**SPRING DATA**

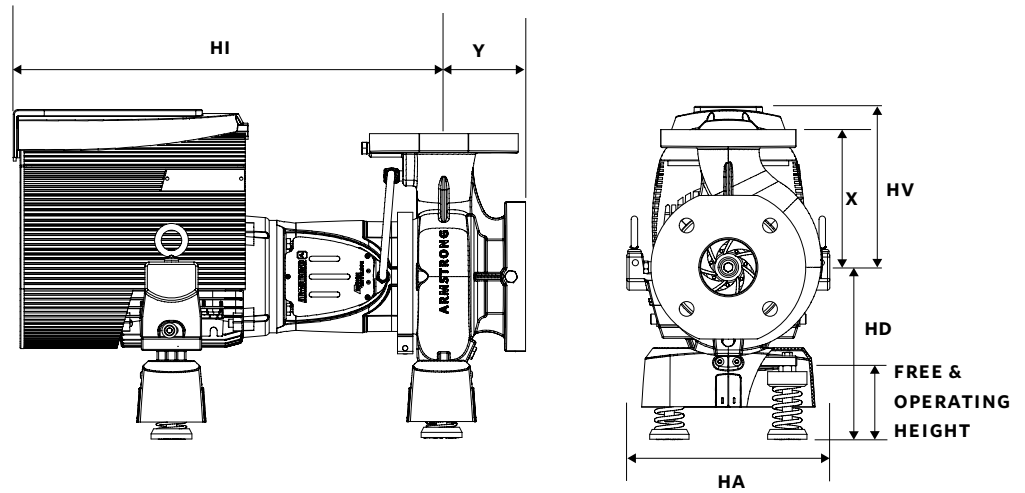
<b>Rated Capacity per spring</b>	25.0 (54)
<b>Rated Deflection</b>	30 (1.20)
<b>Mount Constant</b>	0.8 (45)

**SEISMIC MOUNT OPTION**

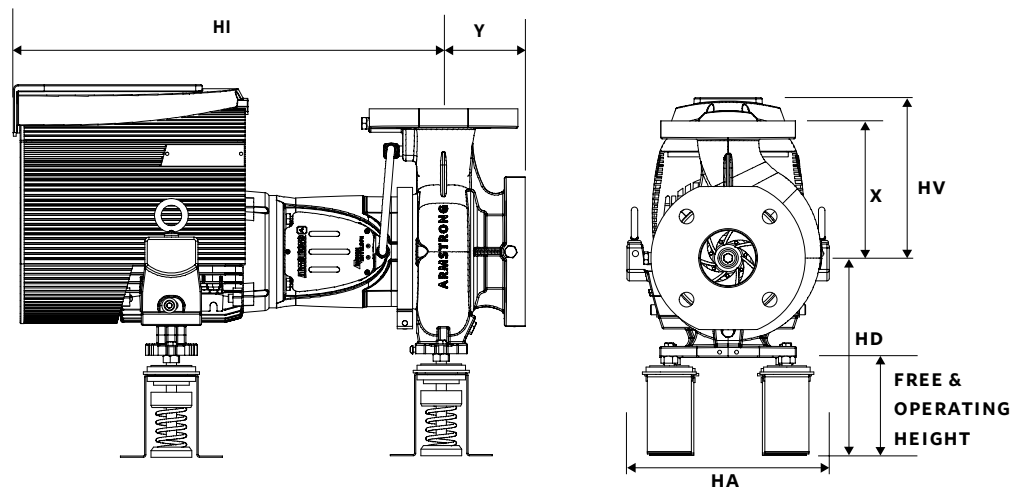
<b>2E:</b>	146 (5.75)
<b>F:</b>	102 (4.00)
<b>G:</b>	152 (6.00)
<b>H:</b>	12 (0.50)
<b>HA:</b>	262 (10.32)
<b>HD:</b>	254 (10.00)
<b>N:</b>	233 (9.16)
<b>Free &amp; operating height:</b>	127 (5.00)
<b>Max. horizontal static G rating:</b>	6.7

- Dimensions - mm (inch)
- Weight - kg (lbs)
- Tolerance of ±3 mm (±0.125") should be used
- For exact installation, data please write factory for certified dimensions

**STANDARD**



**SEISMIC MOUNT OPTION**



TORONTO  
+1 416 755 2291

BUFFALO  
+1 716 693 8813

BIRMINGHAM  
+44 (0) 8444 145 145

MANCHESTER  
+44 (0) 8444 145 145

BANGALORE  
+91 (0) 80 4906 3555

SHANGHAI  
+86 (0) 21 5237 0909

SÃO PAULO  
+55 11 4785 1330

LYON  
+33 (0) 420 102 625

DUBAI  
+971 4 887 6775

MANNHEIM  
+49 (0) 621 3999 9858

