

DESIGN ENVELOPE (PERMANENT MAGNET) 6800 G | DUPLEX DOMESTIC COLD WATER BOOSTER | (2 DUTY PUMPS OR 1 DUTY + 1 STANDBY PUMP) | SUBMITTAL

File No: 100.611
Date: AUGUST 27, 2021
Supersedes: 100.611 & 100.615
Date: APRIL 19, 2019

Job: _____ Representative: _____
Order No: _____ Date: _____
Contractor: _____ Submitted by: _____ Date: _____
Engineer: _____ Approved by: _____ Date: _____

BOOSTER PACKAGE DESIGN DATA

Tag: _____ Model: _____
Operation: 2 Duty 1 Duty + 1 Standby
Total Flow: _____ USgpm (L/s) Flow per Pump: _____ USgpm (L/s)
Suction (Supply) Pressure: _____ ft (psi /m)
Boost Pressure (Head): _____ ft (psi /m)
Discharge Pressure: _____ ft (psi /m) Total Duty Hp: _____
Liquid: Water Max Temperature: 73°F ± 4 (23°C ± 2)
 Other: _____ Max Temperature: _____ °F (°C)
Specific Gravity: _____ Viscosity: _____ lbf*s/ft² (Pa*s)

NOTE: Test tolerance according to ISO 9906 Grade 2B
±8% on measured flow and ±5% on measured head

BOOSTER PACKAGE CONSTRUCTION DATA

Certification: NSF 61/372 (as a complete package)
Pump Type: 4700 (Vertical Multi Stage)
Pump Construction: Full Stainless Steel (VMS 10, VMS 15, VMS 20)
 Stainless Steel with Cast Iron Bottom
Casing & Casing Cover (VMS 32, VMS 45, VMS 64)
Piping Material: 304 Stainless Steel
Base & Stanchion Material: 304 Stainless Steel
Suction Valve Type: Butterfly **Discharge Valve Type:** Flo-Trex
Suction Connection Orientation: Right Left
Discharge Connection Orientation: Right Left
System Connection Type: Grooved Flanged
Optional Suction Flange Type: ANSI 125/150
Optional Discharge Flange Type: ANSI 125/150
 ANSI 250/300

MOTOR DATA

Motor Type (Efficiency): Induction (NEMA Premium)
 Permanent Magnet
(IE5: better than NEMA Super Premium)
Voltage: _____ V Phase: 3 Hertz(rpm): 60 Hz(3600 rpm)
 50 Hz(3000 rpm)
Enclosure: ODP TEFC
NOTE: Permanent Magnet Motors are only available with TEFC Enclosure

DRIVE DATA

Drive Type: VFD (Induction Motors)
 ECM (Permanent Magnet Motors)
Enclosure: UL Type 12 (Induction Motors)
 IP55 (ECM Motors)
EMI/RFI Control: Integrated filter designed to meet EN61800-3
Harmonic Suppression: Integrated dc link reactors
(in all VFDs and 112 frame ECMs)
Cooling: Fan-cooled through back channel
Ambient temperature: -14°F to +113°F (-10°C to +45°C)
up to 3280 ft (1000m) above sea level

CONTROL PANEL DATA

UL508/CSA labelled
NEMA 4 Enclosure
4.3" Color Touchscreen
Door Interlocked Main Disconnect
Fused Motor Protection
Fused Control Circuit Transformer
Power on Indication
Motor Run Indication
Virtual Hand-Off-Auto (HOA) for each pump
Flash Memory Storage

CONTROLS CAPABILITIES

Safety Features:

- High Suction Pressure Shutdown
- Low Suction Shutdown w/ Auto Restart
- End of Curve Protection
- Soft Fill Mode
- Emergency Power Mode

Conformance to ASHRAE 90.1 Section 10.4:

- No-flow shutdown
- Pressure setback mode

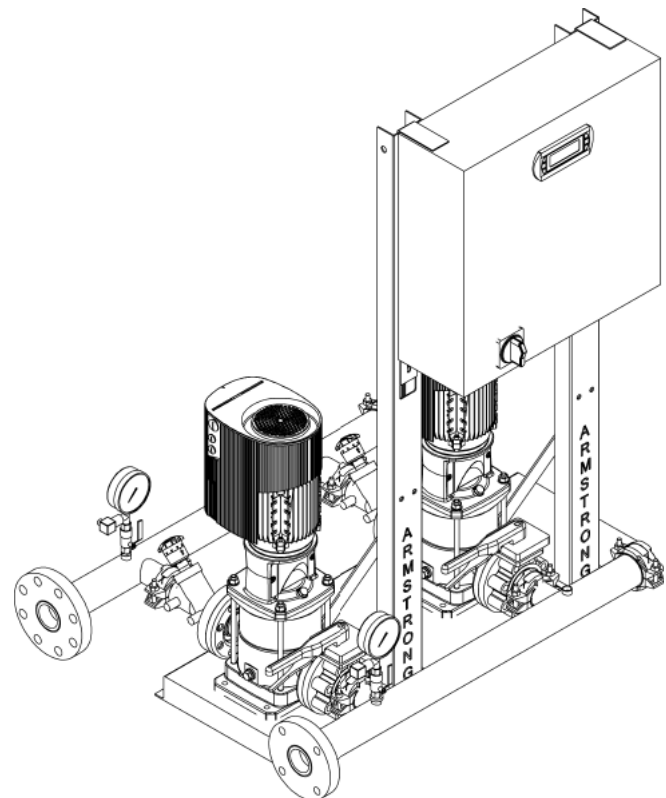
Convenience Features:

- Field Adjustable Set Points, Alarms and Timers
- Alternate Setpoints
- Auto Alternation of Pumps
- Minimal Run Timer
- Pump On Delay Timer
- Pump Switch Over (in case of lead pump failure)
- No-flow pressure optimization

OPTIONAL EQUIPMENT

- BMS Communication Protocol: BACnet/IP
 BACnet MS/TP
 Modbus RTU
 LonWorks

- Locking Handle (c/w [2] Keys)
- System PRV
- Low Suction Level Shutdown
- Float Switch
- Remote Pressure Transducer
- Header Shipped Loose



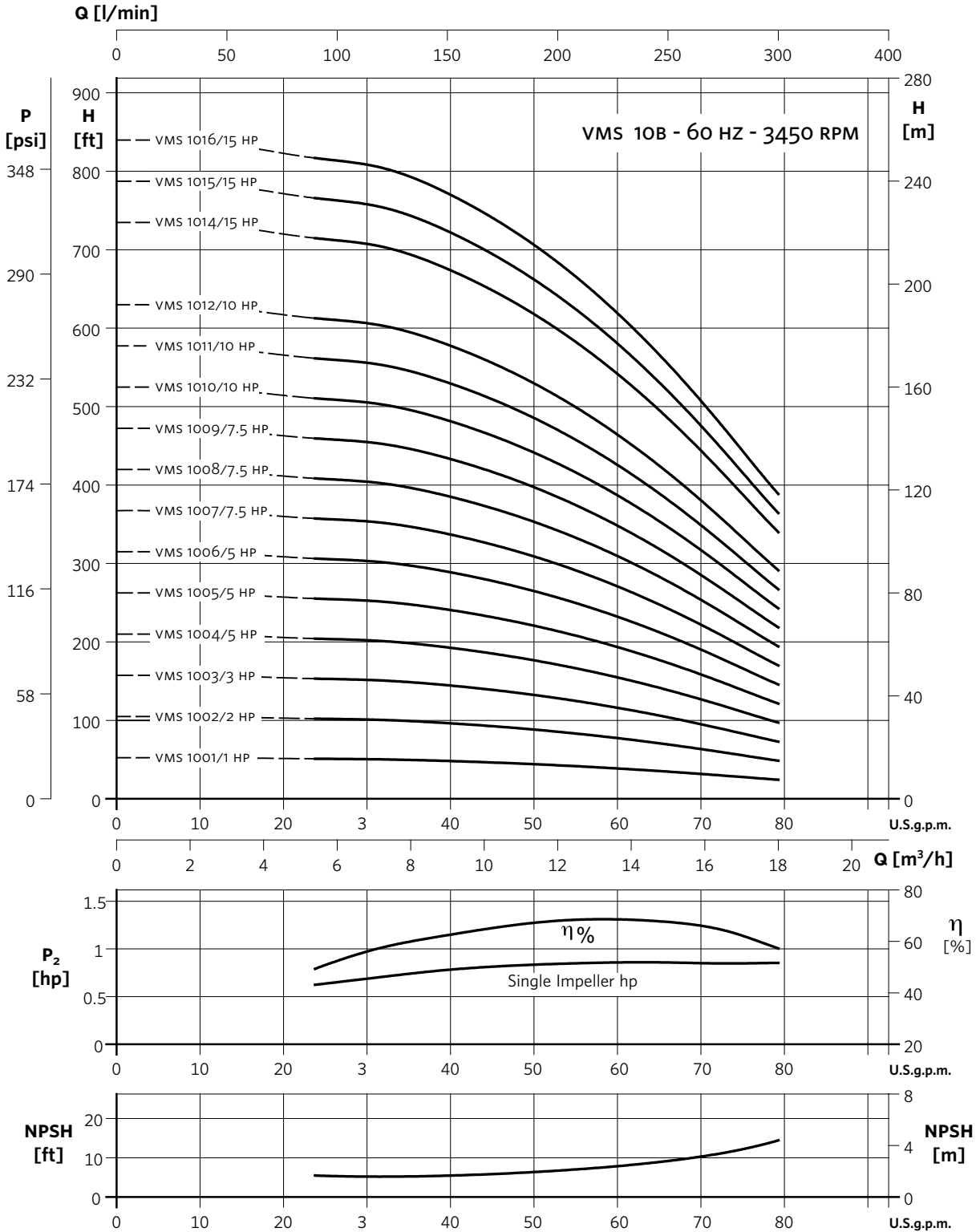
DESIGN ENVELOPE (PERMANENT MAGNET) CAPABILITY DATA												
DUTY-DUTY MODELS		DUTY-STANDBY MODELS		PUMP MODEL	MAX FLOW U ₅ gpm (L/s)		MAX HEAD ft (m)	BEP EFFICIENCY (%)	HP PER PUMP	DE MOTOR FRAME		DEPM MOTOR FRAME
DE	DEPM	DE	DEPM		DUTY-DUTY MODELS	DUTY-STANDBY MODELS				ODP	TEFC	
<input type="checkbox"/> N230202	<input type="checkbox"/> PM230202	<input type="checkbox"/> N130202S	<input type="checkbox"/> PM130202S	VMS-1002B	150.8 (9.51)	75.4 (4.76)	97.6 (29.7)	67.6	2	56C		90S
<input type="checkbox"/> N230302	<input type="checkbox"/> PM230302	<input type="checkbox"/> N130302S	<input type="checkbox"/> PM130302S	VMS-1003B	151.2 (9.54)	75.6 (4.77)	147.3 (44.9)	67.6	3	143/5TC		90
<input type="checkbox"/> N230402	<input type="checkbox"/> PM230402	<input type="checkbox"/> N130402S	<input type="checkbox"/> PM130402S	VMS-1004BE	139.7 (8.81)	70.2 (4.43)	196.4 (59.9)	67.6	3	—	182/4TC	90
<input type="checkbox"/> N230502	<input type="checkbox"/> PM230502	<input type="checkbox"/> N130502S	<input type="checkbox"/> PM130502S	VMS-1005B	151.2 (9.54)	75.6 (4.77)	245.5 (74.8)	67.6	5	182/4TC		112
<input type="checkbox"/> N230602	<input type="checkbox"/> PM230602	<input type="checkbox"/> N130602S	<input type="checkbox"/> PM130602S	VMS-1006B	145.7 (9.19)	74.2 (4.68)	294.6 (89.8)	67.6	5	182/4TC		112
<input type="checkbox"/> N230902	<input type="checkbox"/> PM230902	<input type="checkbox"/> N130902S	<input type="checkbox"/> PM130902S	VMS-1009B	146.2 (9.22)	74.4 (4.69)	444.4 (135.5)	67.6	7.5	182/4TC		112
<input type="checkbox"/> N231202	<input type="checkbox"/> PM231202	<input type="checkbox"/> N131202S	<input type="checkbox"/> PM131202S	VMS-1012B	146.6 (9.25)	57.3 (3.62)	592.6 (180.6)	67.6	10	182/4TC		112
<input type="checkbox"/> N231602	—	<input type="checkbox"/> N131602S	—	VMS-1016B	151.6 (9.56)	48.8 (3.08)	790.1 (240.8)	67.6	15	213/5TC		—
<input type="checkbox"/> N250102	—	<input type="checkbox"/> N150102S	—	VMS-3201	371.0 (23.41)	185.5 (11.70)	89.4 (27.2)	68.7	5	182/4TC		—
<input type="checkbox"/> N250222	—	<input type="checkbox"/> N150222S	—	VMS-3202-2	371.0 (23.41)	185.5 (11.70)	148.8 (45.4)	68.7	7.5	182/4TC		—
<input type="checkbox"/> N250322	—	<input type="checkbox"/> N150322S	—	VMS-3203-2	372.1 (23.48)	186.0 (11.73)	237.0 (72.2)	68.7	10	213/5TC		—
<input type="checkbox"/> N250432	—	<input type="checkbox"/> N150432S	—	VMS-3204-3	372.1 (23.48)	186.0 (11.73)	314.6 (95.9)	68.7	15	213/5TC		—
<input type="checkbox"/> N250502	—	<input type="checkbox"/> N150502S	—	VMS-3205	366.1 (23.10)	183.1 (11.55)	449.9 (137.1)	68.7	20	254/6TC		—
<input type="checkbox"/> N250602	—	<input type="checkbox"/> N150602S	—	VMS-3206	370.6 (23.38)	185.3 (11.69)	546.1 (166.5)	68.7	25	—	284/6TC	—
<input type="checkbox"/> N260102	—	<input type="checkbox"/> N160102S	—	VMS-4501E	555.5 (35.05)	277.8 (17.53)	118.6 (36.1)	83.1	7.5	—	213/5TC	—
<input type="checkbox"/> N260212	—	<input type="checkbox"/> N160212S	—	VMS-4502-1	559.8 (35.32)	279.9 (17.66)	200.4 (61.1)	83.1	15	213/5TC		—
<input type="checkbox"/> N260302	—	<input type="checkbox"/> N160302S	—	VMS-4503	564.5 (35.61)	282.3 (17.81)	362.8 (110.6)	83.3	25	—	284/6TC	—
<input type="checkbox"/> N260322	—	<input type="checkbox"/> N160322S	—	VMS-4503-2	564.5 (35.61)	282.3 (17.81)	290.2 (88.5)	83.1	20	254/6TC		—
<input type="checkbox"/> N260412	—	<input type="checkbox"/> N160412S	—	VMS-4504-1	564.5 (35.61)	282.3 (17.81)	451.3 (137.6)	83.1	30	284/6TC		—
<input type="checkbox"/> N270102	—	<input type="checkbox"/> N170102S	—	VMS-6401E	785.2 (49.54)	392.6 (24.77)	124.7 (38.0)	84.7	10	213/5TC		—
<input type="checkbox"/> N270202	—	<input type="checkbox"/> N170202S	—	VMS-6402	811.7 (51.21)	405.8 (25.60)	251.8 (76.7)	84.7	25	—	284/6TC	—
<input type="checkbox"/> N270212	—	<input type="checkbox"/> N170212S	—	VMS-6402-1	811.7 (51.21)	405.8 (25.60)	226.6 (69.1)	84.7	20	254/6TC		—
<input type="checkbox"/> N270322	—	<input type="checkbox"/> N170322S	—	VMS-6403-2	811.7 (51.21)	405.8 (25.60)	329.2 (100.3)	84.7	30	284/6TC		—

- Notes:**
- 1 Standard right hand orientation with grooved connections illustrated
 - 2 All pumps are the same

DESIGN ENVELOPE (PERMANENT MAGNET) CAPABILITY DATA													
DUTY-DUTY MODELS		DUTY-STANDBY MODELS			PUMP MODEL	MAX FLOW Usgpm (L/s)		MAX HEAD ft (m)	BEP EFFICIENCY (%)	HP PER PUMP	DE MOTOR FRAME		DEPM MOTOR FRAME
DE	DEPM	DE	DEPM	DUTY-DUTY MODELS		DUTY-STANDBY MODELS	ODP				TEFC	TEFC	
<input type="checkbox"/> N280102	<input type="checkbox"/> PM280102	<input type="checkbox"/> N180102S	<input type="checkbox"/> PM180102S	VMS-1501B	233.6 (14.74)	116.8 (7.37)	63.8 (19.4)	72.5	2	56C		90S	
<input type="checkbox"/> N280202	<input type="checkbox"/> PM280202	<input type="checkbox"/> N180202S	<input type="checkbox"/> PM180202S	VMS-1502B	234.5 (14.79)	117.2 (7.39)	125.8 (38.3)	72.5	5	182/4TC		112	
<input type="checkbox"/> N280302	<input type="checkbox"/> PM280302	<input type="checkbox"/> N180302S	<input type="checkbox"/> PM180302S	VMS-1503BE	235.2 (14.84)	117.6 (7.42)	189.8 (57.9)	72.5	5	182/4TC		112	
<input type="checkbox"/> N280402	<input type="checkbox"/> PM280402	<input type="checkbox"/> N180402S	<input type="checkbox"/> PM180402S	VMS-1504BE	235.2 (14.84)	117.6 (7.42)	253.1 (77.1)	72.5	7.5	—	213/5TC	112	
<input type="checkbox"/> N280502	<input type="checkbox"/> PM280502	<input type="checkbox"/> N180502S	<input type="checkbox"/> PM180502S	VMS-1505B	233.8 (14.75)	116.9 (7.38)	322.5 (98.3)	72.5	10	213/5TC		112	
<input type="checkbox"/> N280702	—	<input type="checkbox"/> N180702S	—	VMS-1507B	235.2 (14.84)	117.6 (7.42)	442.9 (135.0)	72.5	15	213/5TC	—	—	
<input type="checkbox"/> N281002	—	<input type="checkbox"/> N181002S	—	VMS-1510B	236.5 (14.92)	118.2 (7.46)	639.9 (195.0)	72.5	20	254/6TC		—	
<input type="checkbox"/> N281202	—	<input type="checkbox"/> N181202S	—	VMS-1512B	236.5 (14.92)	118.2 (7.46)	782.9 (238.6)	72.5	25	—	284/6TC	—	
<input type="checkbox"/> N290102	<input type="checkbox"/> PM290102	<input type="checkbox"/> N190102S	<input type="checkbox"/> PM190102S	VMS-2001B	267.3 (16.86)	133.7 (8.44)	73.5 (22.4)	73.0	3	143/5TC		90	
<input type="checkbox"/> N290202	<input type="checkbox"/> PM290202	<input type="checkbox"/> N190202S	<input type="checkbox"/> PM190202S	VMS-2002B	262.6 (16.57)	131.3 (8.28)	143.5 (43.7)	73.0	5	182/4TC		112	
<input type="checkbox"/> N290302	<input type="checkbox"/> PM290302	<input type="checkbox"/> N190302S	<input type="checkbox"/> PM190302S	VMS-2003B	262.7 (16.57)	131.3 (8.28)	216.5 (66.0)	73.0	7.5	182/4TC		112	

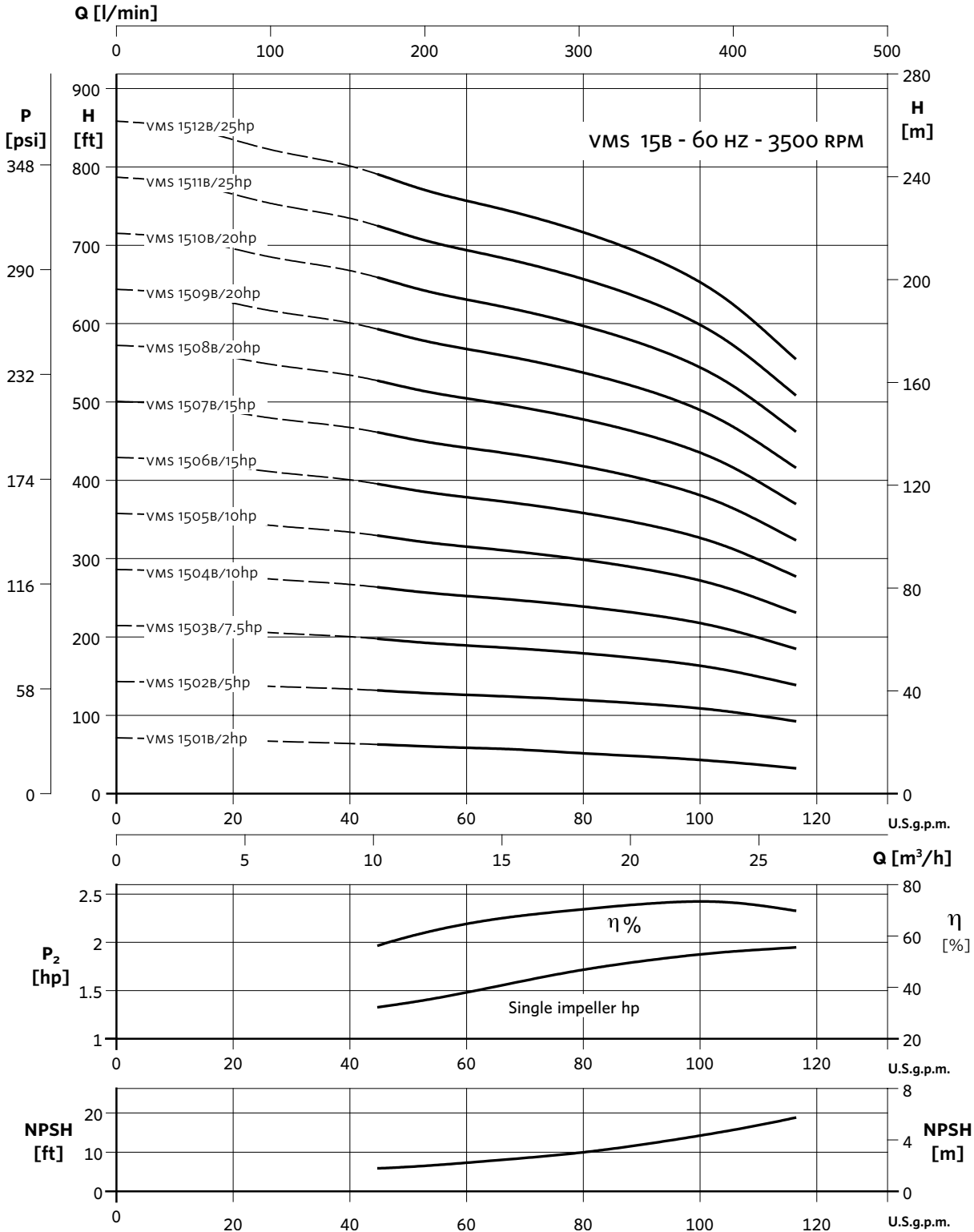
- Notes:**
- Standard right hand orientation with grooved connections illustrated
 - All pumps are the same

PERFORMANCE CURVE - VMS 10B



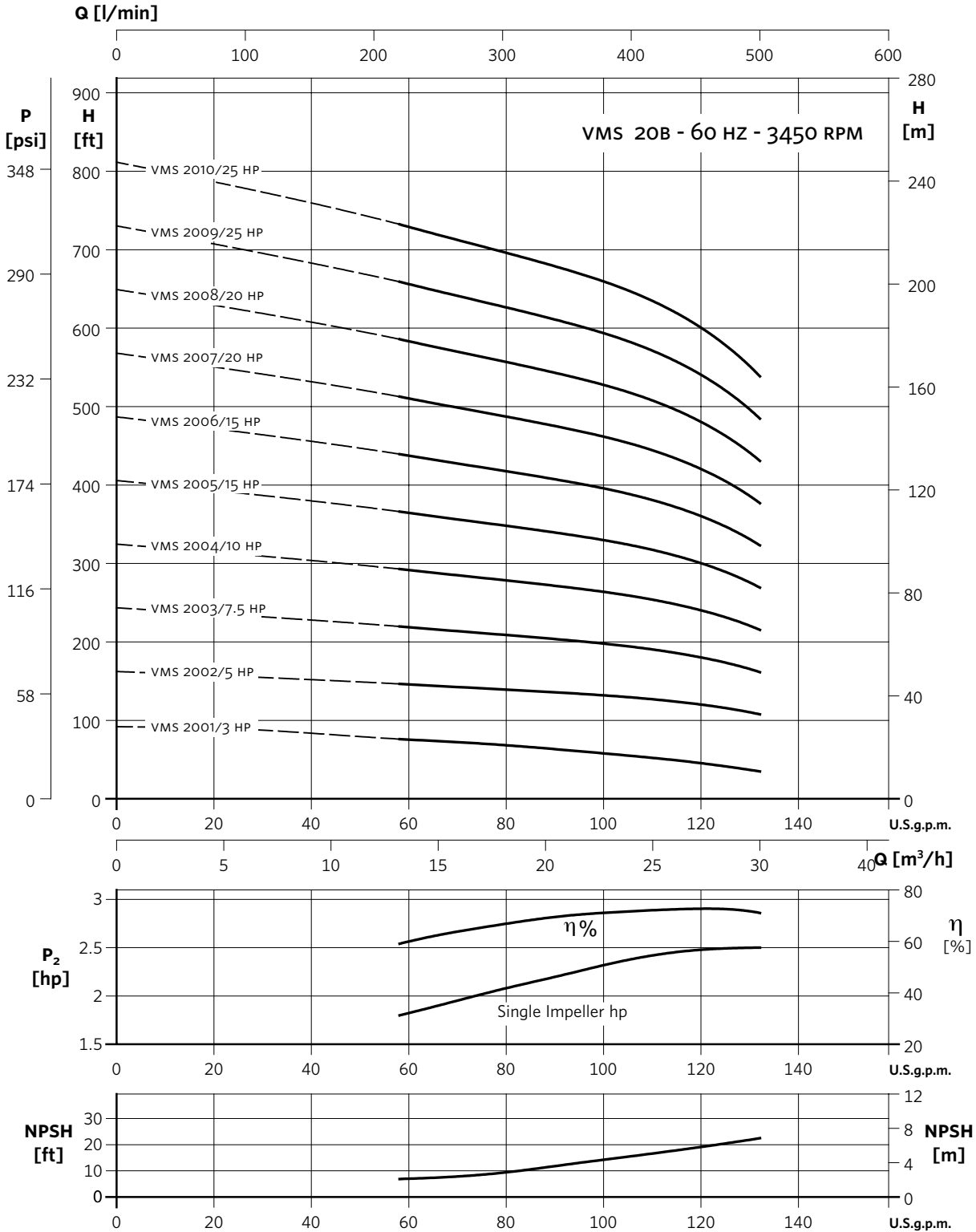
NOTE: Pump curves are shown for information purpose only and should not be used for selection. Individual pump curves don't represent the performance of a complete package as they ignore losses and control constraints. Please refer to **Curves and diagrams** on Armstrong's website for a detailed performance envelope for the specific booster model.

PERFORMANCE CURVE - VMS 15B



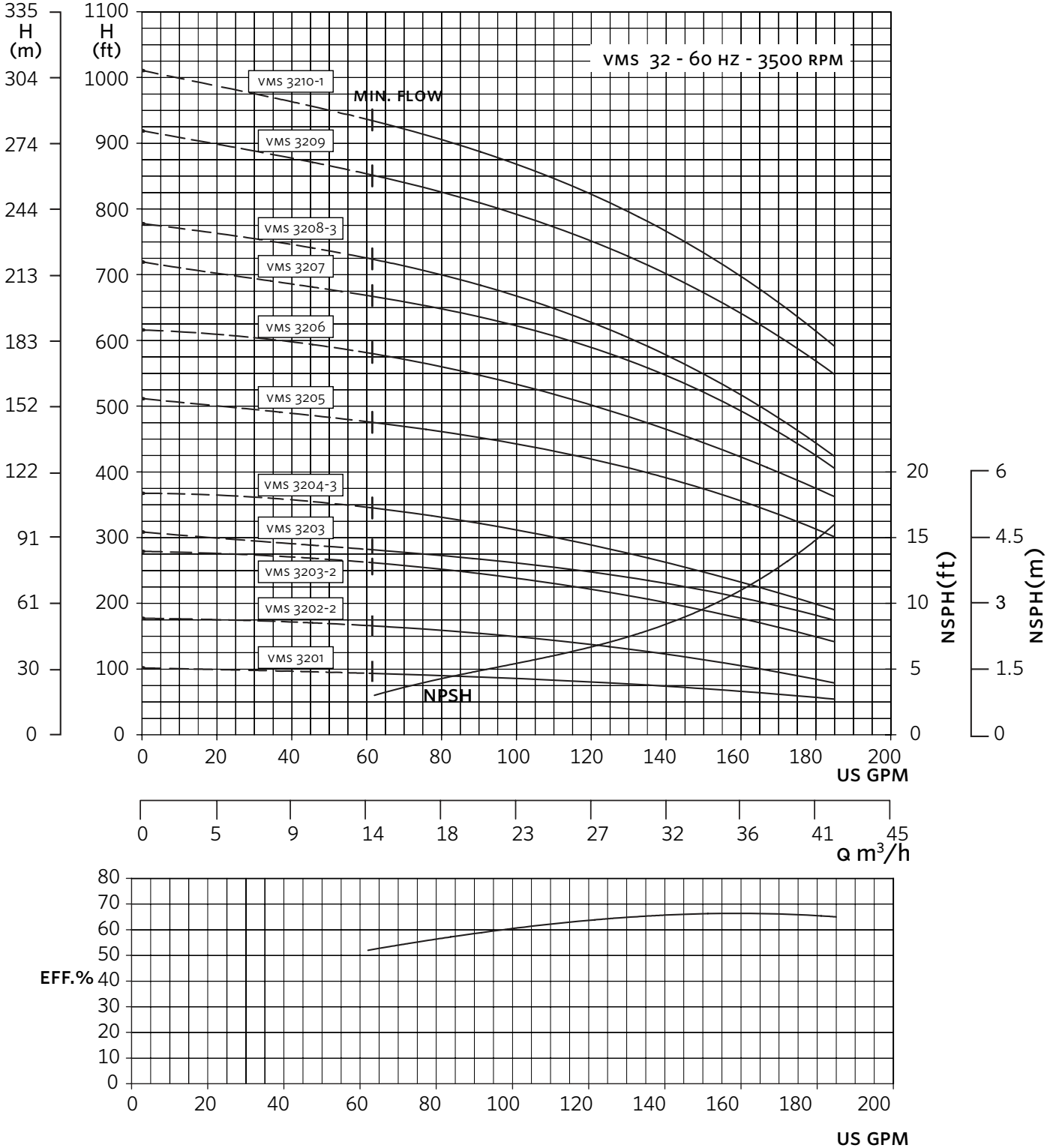
NOTE: Pump curves are shown for information purpose only and should not be used for selection. Individual pump curves don't represent the performance of a complete package as they ignore losses and control constraints. Please refer to **Curves and diagrams** on Armstrong's website for a detailed performance envelope for the specific booster model.

PERFORMANCE CURVE - VMS 20B



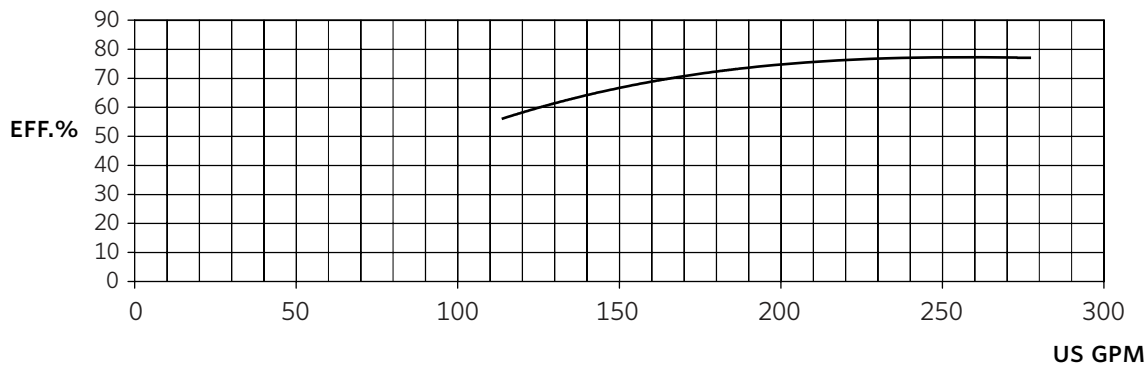
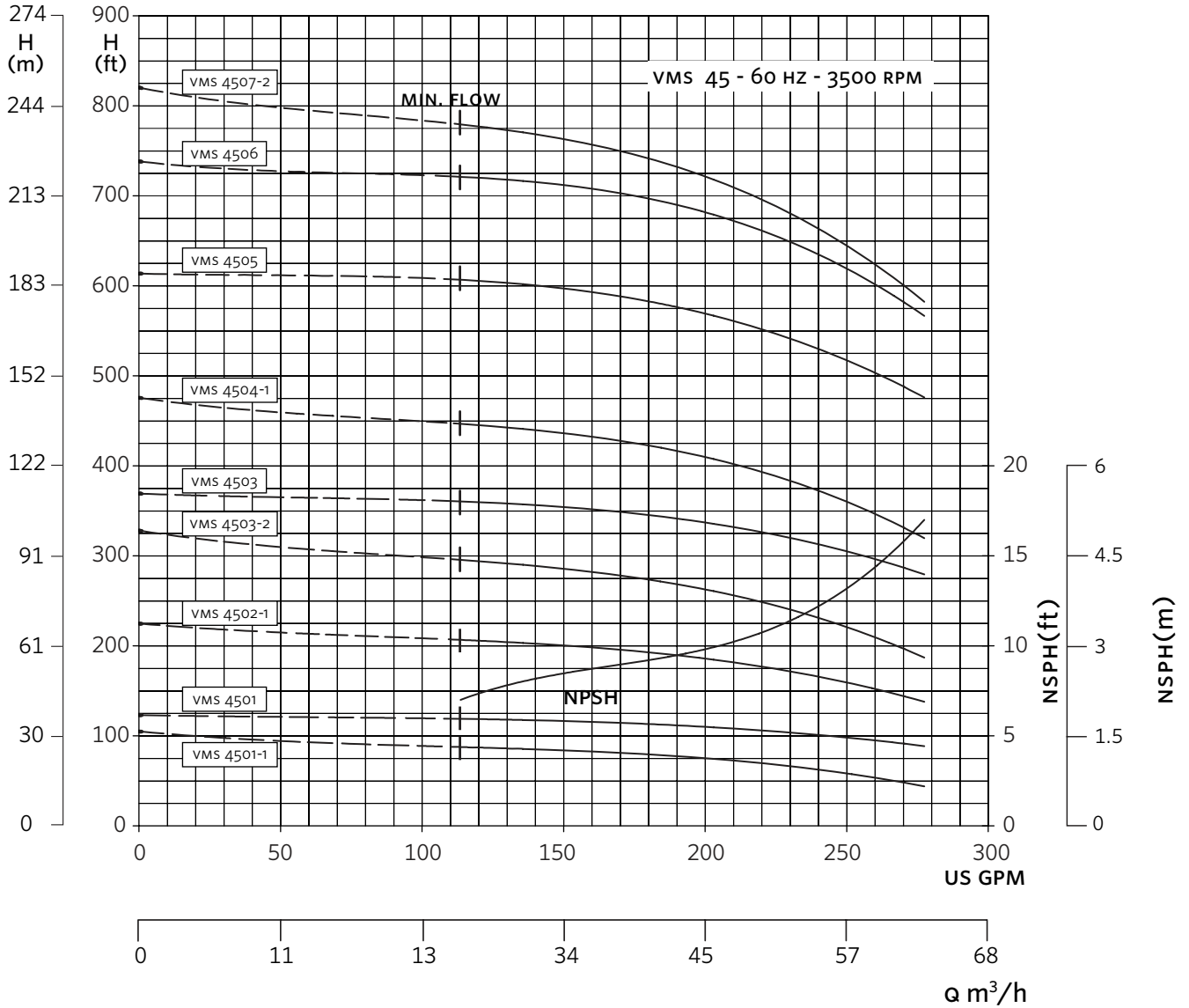
NOTE: Pump curves are shown for information purpose only and should not be used for selection. Individual pump curves don't represent the performance of a complete package as they ignore losses and control constraints. Please refer to **Curves and diagrams** on Armstrong's website for a detailed performance envelope for the specific booster model.

PERFORMANCE CURVE - VMS 32



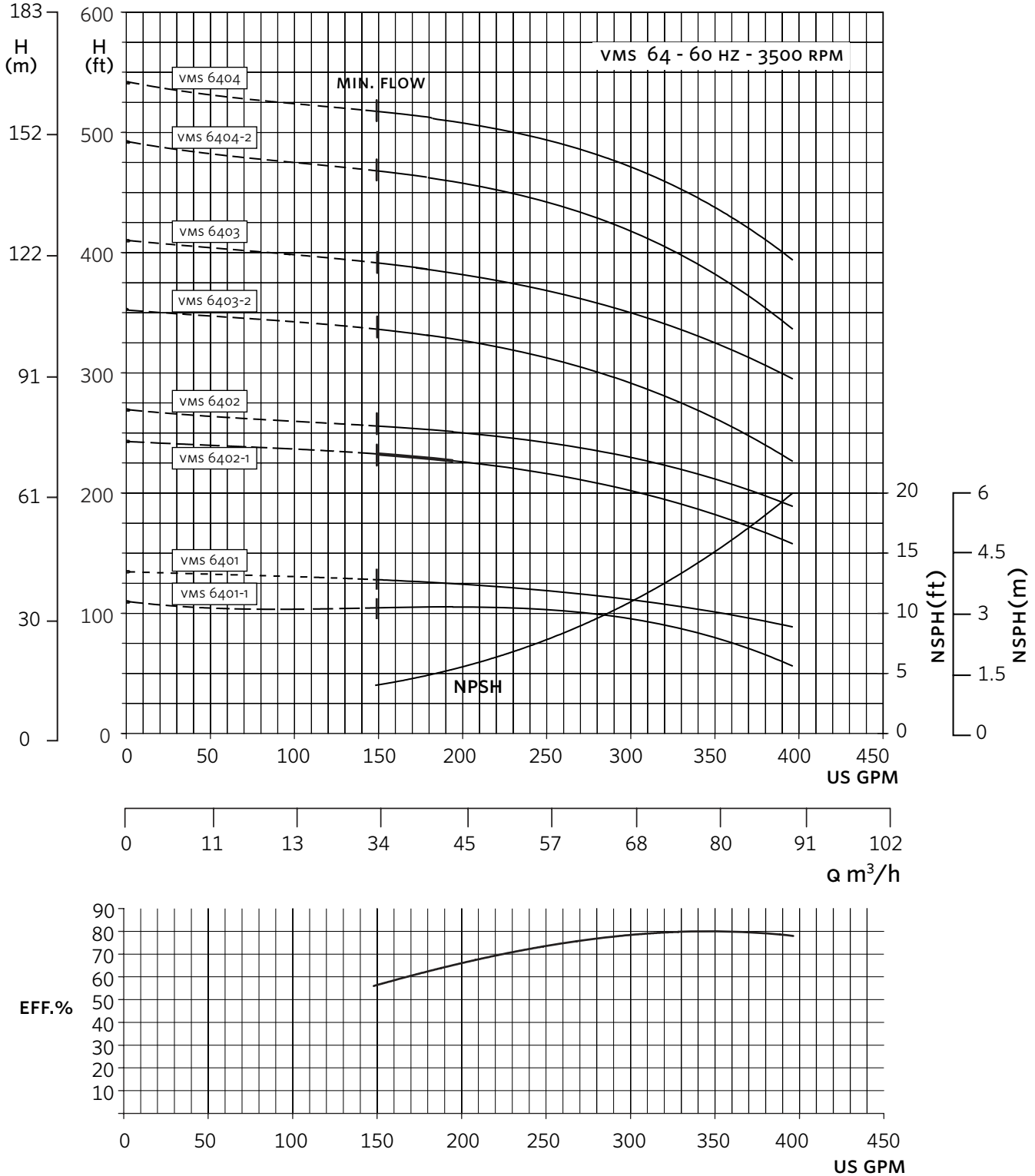
NOTE: Pump curves are shown for information purpose only and should not be used for selection. Individual pump curves don't represent the performance of a complete package as they ignore losses and control constraints. Please refer to **Curves and diagrams** on Armstrong's website for a detailed performance envelope for the specific booster model.

PERFORMANCE CURVE - VMS 45

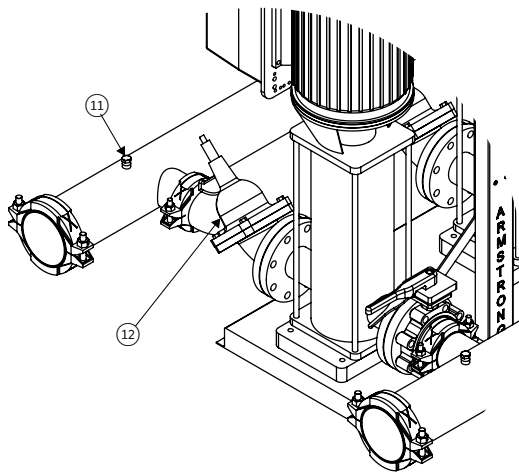
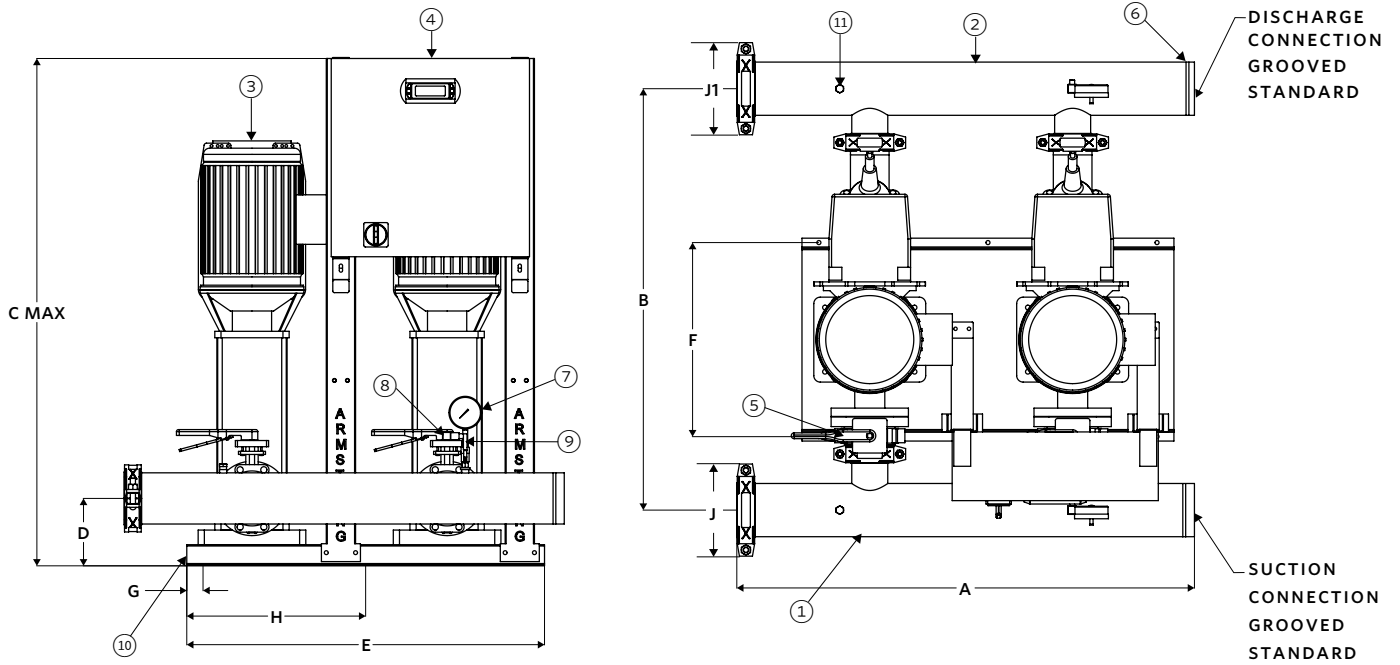


NOTE: Pump curves are shown for information purpose only and should not be used for selection. Individual pump curves don't represent the performance of a complete package as they ignore losses and control constraints. Please refer to **Curves and diagrams** on Armstrong's website for a detailed performance envelope for the specific booster model.

PERFORMANCE CURVE - VMS 64



NOTE: Pump curves are shown for information purpose only and should not be used for selection. Individual pump curves don't represent the performance of a complete package as they ignore losses and control constraints. Please refer to **Curves and diagrams** on Armstrong's website for a detailed performance envelope for the specific booster model.



Duplex Domestic Cold Water Booster

ITEM	DESCRIPTION
①	Stainless steel suction header
②	Stainless steel discharge header
③	Pump with integrated ivs controls
④	Control panel with plc
⑤	Suction isolation valve
⑥	Grooved connection
⑦	Pressure gauge
⑧	Pressure transducer
⑨	Pressure gauge isolation valve
⑩	Stainless steel base and panel support
⑪	Plug pipe
⑫	Flo-Trex valve

DUTY-DUTY MODELS		DUTY-STANDBY MODELS		A	B	C MAX	D	E	F	G	H	J	J1	CONNECTION SIZE	MAX WORKING PRESSURE	DE WEIGHT	DEPM WEIGHT	
DE	DEPM	DE	DEPM	inches (mm)														lbs (kg)
<input type="checkbox"/> N230202	<input type="checkbox"/> PM230202	<input type="checkbox"/> N130202S	<input type="checkbox"/> PM130202S	42.34 (1075)	30.70 (780)	61.42 (1560)	6.19 (157)	43.31 (1100)	16.69 (424)	1.97 (50)	21.65 (550)	7.50 (191)	7.50 (191)	3	232 (16)	562 (255)	501 (227)	
<input type="checkbox"/> N230302	<input type="checkbox"/> PM230302	<input type="checkbox"/> N130302S	<input type="checkbox"/> PM130302S	42.34 (1075)	30.70 (780)	61.42 (1560)	6.19 (157)	43.31 (1100)	16.69 (424)	1.97 (50)	21.65 (550)	7.50 (191)	7.50 (191)	3	232 (16)	601 (272)	539 (244)	
<input type="checkbox"/> N230402	<input type="checkbox"/> PM230402	<input type="checkbox"/> N130402S	<input type="checkbox"/> PM130402S	42.34 (1075)	30.70 (780)	61.42 (1560)	6.19 (157)	43.31 (1100)	16.69 (424)	1.97 (50)	21.65 (550)	7.50 (191)	7.50 (191)	3	232 (16)	606 (275)	545 (247)	
<input type="checkbox"/> N230502	<input type="checkbox"/> PM230502	<input type="checkbox"/> N130502S	<input type="checkbox"/> PM130502S	42.34 (1075)	30.70 (780)	61.42 (1560)	6.19 (157)	43.31 (1100)	16.69 (424)	1.97 (50)	21.65 (550)	7.50 (191)	7.50 (191)	3	232 (16)	608 (276)	547 (248)	
<input type="checkbox"/> N230602	<input type="checkbox"/> PM230602	<input type="checkbox"/> N130602S	<input type="checkbox"/> PM130602S	42.34 (1075)	30.70 (780)	61.42 (1560)	6.19 (157)	43.31 (1100)	16.69 (424)	1.97 (50)	21.65 (550)	7.50 (191)	7.50 (191)	3	232 (16)	613 (278)	552 (250)	
<input type="checkbox"/> N230902	<input type="checkbox"/> PM230902	<input type="checkbox"/> N130902S	<input type="checkbox"/> PM130902S	42.34 (1075)	30.70 (780)	61.42 (1560)	6.19 (157)	43.31 (1100)	16.69 (424)	1.97 (50)	21.65 (550)	7.50 (191)	7.50 (191)	3	232 (16)	764 (347)	704 (319)	
<input type="checkbox"/> N231202	<input type="checkbox"/> PM231202	<input type="checkbox"/> N131202S	<input type="checkbox"/> PM131202S	42.34 (1075)	30.70 (780)	61.42 (1560)	6.19 (157)	43.31 (1100)	16.69 (424)	1.97 (50)	21.65 (550)	7.50 (191)	8.25 (210)	3	363 (25)	950 (431)	889 (403)	
<input type="checkbox"/> N231602	<input type="checkbox"/> N131602S	<input type="checkbox"/> N131602S	-	42.34 (1075)	30.70 (780)	61.42 (1560)	6.19 (157)	43.31 (1100)	16.69 (424)	1.97 (50)	21.65 (550)	7.50 (191)	8.25 (210)	3	363 (25)	1020 (463)	-	
<input type="checkbox"/> N250102	<input type="checkbox"/> N150102S	<input type="checkbox"/> N150102S	-	48.36 (1228)	39.63 (1007)	61.42 (1560)	6.78 (172)	43.31 (1100)	22.60 (574)	1.97 (50)	21.65 (550)	9.00 (229)	9.00 (229)	4	232 (16)	896 (407)	-	
<input type="checkbox"/> N250222	<input type="checkbox"/> N150222S	<input type="checkbox"/> N150222S	-	48.36 (1228)	39.63 (1007)	61.42 (1560)	6.78 (172)	43.31 (1100)	22.60 (574)	1.97 (50)	21.65 (550)	9.00 (229)	9.00 (229)	4	232 (16)	1009 (458)	-	
<input type="checkbox"/> N250322	<input type="checkbox"/> N150322S	<input type="checkbox"/> N150322S	-	48.36 (1228)	39.63 (1007)	61.42 (1560)	6.78 (172)	43.31 (1100)	22.60 (574)	1.97 (50)	21.65 (550)	9.00 (229)	9.00 (229)	4	232 (16)	1271 (577)	-	
<input type="checkbox"/> N250432	<input type="checkbox"/> N150432S	<input type="checkbox"/> N150432S	-	48.36 (1228)	39.63 (1007)	61.42 (1560)	6.78 (172)	43.31 (1100)	22.60 (574)	1.97 (50)	21.65 (550)	9.00 (229)	9.00 (229)	4	232 (16)	1298 (589)	-	
<input type="checkbox"/> N250502	<input type="checkbox"/> N150502S	<input type="checkbox"/> N150502S	-	48.36 (1228)	41.25 (1048)	61.42 (1560)	6.78 (172)	43.31 (1100)	22.60 (574)	1.97 (50)	21.65 (550)	9.00 (229)	10.00 (254)	4	363 (25)	1552 (704)	-	
<input type="checkbox"/> N250602	<input type="checkbox"/> N150602S	<input type="checkbox"/> N150602S	-	48.36 (1228)	41.25 (1048)	62.12 (1578)	6.78 (172)	43.31 (1100)	22.60 (574)	1.97 (50)	21.65 (550)	9.00 (229)	10.00 (254)	4	363 (25)	1970 (894)	-	
<input type="checkbox"/> N260102	<input type="checkbox"/> N160102S	<input type="checkbox"/> N160102S	-	53.28 (1353)	43.85 (1114)	61.42 (1560)	8.16 (207)	43.31 (1100)	22.60 (574)	1.97 (50)	21.65 (550)	11.00 (279)	11.00 (279)	6	232 (16)	1180 (535)	-	
<input type="checkbox"/> N260212	<input type="checkbox"/> N160212S	<input type="checkbox"/> N160212S	-	53.28 (1353)	43.85 (1114)	61.42 (1560)	8.16 (207)	43.31 (1100)	22.60 (574)	1.97 (50)	21.65 (550)	11.00 (279)	11.00 (279)	6	232 (16)	1455 (660)	-	
<input type="checkbox"/> N260302	<input type="checkbox"/> N160302S	<input type="checkbox"/> N160302S	-	53.28 (1353)	43.85 (1114)	61.42 (1560)	8.16 (207)	43.31 (1100)	22.60 (574)	1.97 (50)	21.65 (550)	11.00 (279)	11.00 (279)	6	232 (16)	2107 (956)	-	
<input type="checkbox"/> N260322	<input type="checkbox"/> N160322S	<input type="checkbox"/> N160322S	-	53.28 (1353)	43.85 (1114)	61.42 (1560)	8.16 (207)	43.31 (1100)	22.60 (574)	1.97 (50)	21.65 (550)	11.00 (279)	11.00 (279)	6	232 (16)	1703 (772)	-	
<input type="checkbox"/> N260412	<input type="checkbox"/> N160412S	<input type="checkbox"/> N160412S	-	53.28 (1353)	45.47 (1155)	63.95 (1624)	8.16 (207)	43.31 (1100)	22.60 (574)	1.97 (50)	21.65 (550)	11.00 (279)	12.50 (318)	6	363 (25)	2174 (986)	-	

Note:

- 1 Tolerances are ±1/2" (12 mm) unless otherwise specified
- 2 Dimensions are based on boosters shipped with headers installed. Dimensions and weight for Optional Header Shipped Loose available upon request

DUTY-DUTY MODELS		DUTY-STANDBY MODELS		A	B	C MAX	D	E	F	G	H	J	J1	CONNECTION SIZE	MAX WORKING PRESSURE	DE WEIGHT	DEP M WEIGHT	
DE	DEPM	DE	DEPM	inches (mm)													psi (bar)	lbs (kg)
<input type="checkbox"/> N270102	—	<input type="checkbox"/> N170102S	—	53.28 (1353)	46.87 (1190)	61.42 (1560)	8.16 (207)	43.31 (1100)	22.60 (574)	1.97 (50)	21.65 (550)	11.00 (279)	11.00 (279)	6	232 (16)	1645 (746)	—	
<input type="checkbox"/> N270202	—	<input type="checkbox"/> N170202S	—	53.28 (1353)	46.87 (1190)	61.42 (1560)	8.16 (207)	43.31 (1100)	22.60 (574)	1.97 (50)	21.65 (550)	11.00 (279)	11.00 (279)	6	232 (16)	2306 (1046)	—	
<input type="checkbox"/> N270212	—	<input type="checkbox"/> N170212S	—	53.28 (1353)	46.87 (1190)	61.42 (1560)	8.16 (207)	43.31 (1100)	22.60 (574)	1.97 (50)	21.65 (550)	11.00 (279)	11.00 (279)	6	232 (16)	1902 (863)	—	
<input type="checkbox"/> N270322	—	<input type="checkbox"/> N170322S	—	53.28 (1353)	46.87 (1190)	61.42 (1560)	8.16 (207)	43.31 (1100)	22.60 (574)	1.97 (50)	21.65 (550)	11.00 (279)	11.00 (279)	6	232 (16)	2341 (1062)	—	
<input type="checkbox"/> N280102	<input type="checkbox"/> PM280102	<input type="checkbox"/> N180102S	<input type="checkbox"/> PM180102S	42.34 (1075)	30.70 (780)	61.42 (1560)	6.19 (157)	43.31 (1100)	16.69 (424)	1.97 (50)	21.65 (550)	7.50 (191)	7.50 (191)	3	232 (16)	551 (250)	490 (222)	
<input type="checkbox"/> N280202	<input type="checkbox"/> PM280202	<input type="checkbox"/> N180202S	<input type="checkbox"/> PM180202S	42.34 (1075)	30.70 (780)	61.42 (1560)	6.19 (157)	43.31 (1100)	16.69 (424)	1.97 (50)	21.65 (550)	7.50 (191)	7.50 (191)	3	232 (16)	587 (266)	525 (238)	
<input type="checkbox"/> N280302	<input type="checkbox"/> PM280302	<input type="checkbox"/> N180302S	<input type="checkbox"/> PM180302S	42.34 (1075)	30.70 (780)	61.42 (1560)	6.19 (157)	43.31 (1100)	16.69 (424)	1.97 (50)	21.65 (550)	7.50 (191)	7.50 (191)	3	232 (16)	627 (285)	567 (257)	
<input type="checkbox"/> N280402	<input type="checkbox"/> PM280402	<input type="checkbox"/> N180402S	<input type="checkbox"/> PM180402S	42.34 (1075)	30.70 (780)	61.42 (1560)	6.19 (157)	43.31 (1100)	16.69 (424)	1.97 (50)	21.65 (550)	7.50 (191)	7.50 (191)	3	232 (16)	737 (334)	675 (306)	
<input type="checkbox"/> N280502	<input type="checkbox"/> PM280502	<input type="checkbox"/> N180502S	<input type="checkbox"/> PM180502S	42.34 (1075)	30.70 (780)	61.42 (1560)	6.19 (157)	43.31 (1100)	16.69 (424)	1.97 (50)	21.65 (550)	7.50 (191)	7.50 (191)	3	232 (16)	911 (413)	849 (385)	
<input type="checkbox"/> N280702	—	<input type="checkbox"/> N180702S	—	42.34 (1075)	30.70 (780)	61.42 (1560)	6.19 (157)	43.31 (1100)	16.69 (424)	1.97 (50)	21.65 (550)	7.50 (191)	7.50 (191)	3	232 (16)	981 (445)	—	
<input type="checkbox"/> N281002	—	<input type="checkbox"/> N181002S	—	42.34 (1075)	30.70 (780)	61.42 (1560)	6.19 (157)	43.31 (1100)	16.69 (424)	1.97 (50)	21.65 (550)	7.50 (191)	8.25 (210)	3	363 (25)	1215 (551)	—	
<input type="checkbox"/> N281202	—	<input type="checkbox"/> N181202S	—	42.34 (1075)	30.70 (780)	61.42 (1560)	6.19 (157)	43.31 (1100)	16.69 (424)	1.97 (50)	21.65 (550)	7.50 (191)	8.25 (210)	3	363 (25)	1632 (740)	—	
<input type="checkbox"/> N290102	<input type="checkbox"/> PM290102	<input type="checkbox"/> N190102S	<input type="checkbox"/> PM190102S	42.34 (1075)	30.70 (780)	61.42 (1560)	6.19 (157)	43.31 (1100)	16.69 (424)	1.97 (50)	21.65 (550)	7.50 (191)	7.50 (191)	3	232 (16)	586 (266)	525 (238)	
<input type="checkbox"/> N290202	<input type="checkbox"/> PM290202	<input type="checkbox"/> N190202S	<input type="checkbox"/> PM190202S	42.34 (1075)	30.70 (780)	61.42 (1560)	6.19 (157)	43.31 (1100)	16.69 (424)	1.97 (50)	21.65 (550)	7.50 (191)	7.50 (191)	3	232 (16)	587 (266)	525 (238)	
<input type="checkbox"/> N290302	<input type="checkbox"/> PM290302	<input type="checkbox"/> N190302S	<input type="checkbox"/> PM190302S	42.34 (1075)	30.70 (780)	61.42 (1560)	6.19 (157)	43.31 (1100)	16.69 (424)	1.97 (50)	21.65 (550)	7.50 (191)	7.50 (191)	3	232 (16)	731 (331)	669 (303)	

Note:

- 1 Tolerances are ±1/2" (12 mm) unless otherwise specified
- 2 Dimensions are based on boosters shipped with headers installed. Dimensions and weight for Optional Header Shipped Loose available upon request

TORONTO

23 BERTRAND AVENUE
TORONTO, ONTARIO
CANADA, M1L 2P3
+1 416 755 2291

BUFFALO

93 EAST AVENUE
NORTH TONAWANDA, NEW YORK
U.S.A., 14120-6594
+1 716 693 8813

DROITWICH SPA

POINTON WAY,
STONEBRIDGE CROSS BUSINESS PARK
DROITWICH SPA, WORCESTERSHIRE
UNITED KINGDOM, WR9 0LW
+44 8444 145 145

MANCHESTER

WOLVERTON STREET
MANCHESTER
UNITED KINGDOM, M11 2ET
+44 8444 145 145

BANGALORE

#59, FIRST FLOOR, 3RD MAIN
MARGOSA ROAD, MALLESWARAM
BANGALORE, INDIA, 560 003
+91 80 4906 3555

SHANGHAI

UNIT 903, 888 NORTH SICHUAN RD.
HONGKOU DISTRICT, SHANGHAI
CHINA, 200085
+86 21 5237 0909

SÃO PAULO

RUA JOSÉ SEMIÃO RODRIGUES AGOSTINHO,
1370 GALPÃO 6 EMBU DAS ARTES
SAO PAULO, BRAZIL
+55 11 4785 1330

LYON

93 RUE DE LA VILLETTE
LYON, 69003 FRANCE
+33 4 26 83 78 74

DUBAI

JAFZA VIEW 19, OFFICE 402
P.O.BOX 18226 JAFZA,
DUBAI - UNITED ARAB EMIRATES
+971 4 887 6775

MANNHEIM

DYNAMOSTRASSE 13
68165 MANNHEIM
GERMANY
+49 621 3999 9858

JIMBOLIA

STR CALEA MOTILOR NR. 2C
JIMBOLIA 305400, JUD.TIMIS
ROMANIA
+40 256 360 030

ARMSTRONG FLUID TECHNOLOGY
ESTABLISHED 1934

ARMSTRONGFLUIDTECHNOLOGY.COM