

DESIGN ENVELOPE (PERMANENT MAGNET) 6800 G | TRIPLEX DOMESTIC COLD WATER BOOSTER | (3 DUTY PUMPS OR 2 DUTY + 1 STANDBY PUMP) | SUBMITTAL

File No: 100.612
Date: AUGUST 27, 2021
Supersedes: 100.612, 100.616
Date: APRIL 19, 2019

Job: _____ Representative: _____
Order No: _____ Date: _____
Contractor: _____ Submitted by: _____ Date: _____
Engineer: _____ Approved by: _____ Date: _____

BOOSTER PACKAGE DESIGN DATA

Tag: _____ Model: _____
Operation: 3 Duty 2 Duty + 1 Standby
Total Flow: _____ USgpm (L/s) Flow per Pump: _____ USgpm (L/s)
Suction (Supply) Pressure: _____ ft (psi /m)
Boost Pressure (Head): _____ ft (psi /m)
Discharge Pressure: _____ ft (psi /m) Total Duty Hp: _____
Liquid: Water Max Temperature: 73°F ± 4 (23°C ± 2)
 Other: _____ Max Temperature: _____ °F (°C)
Specific Gravity: _____ Viscosity: _____ lbf*s/ft² (Pa*s)

NOTE: Test tolerance according to ISO 9906 Grade 2B
±8% on measured flow and ±5% on measured head

BOOSTER PACKAGE CONSTRUCTION DATA

Certification: NSF 61/372 (as a complete package)
Pump Type: 4700 (Vertical Multi Stage)
Pump Construction: Full Stainless Steel (VMS 10, VMS 15, VMS 20)
 Stainless Steel with Cast Iron Bottom
Casing & Casing Cover (VMS 32, VMS 45, VMS 64)

Piping Material: 304 Stainless Steel

Base & Stanchion Material: 304 Stainless Steel

Suction Valve Type: Butterfly **Discharge Valve Type:** Flo-Trex

Suction Connection Orientation: Right Left

Discharge Connection Orientation: Right Left

System Connection Type: Grooved Flanged

Optional Suction Flange Type: ANSI 125/150

Optional Discharge Flange Type: ANSI 125/150
 ANSI 250/300

MOTOR DATA

Motor Type (Efficiency): Induction (NEMA Premium)
 Permanent Magnet
(IE5: better than NEMA Super Premium)
Voltage: _____ V Phase: 3 Hertz(rpm): 60 Hz(3600 rpm)
 50 Hz(3000 rpm)
Enclosure: ODP TEFC

NOTE: Permanent Magnet Motors are only available with TEFC Enclosure

DRIVE DATA

Drive Type: VFD (Induction Motors)
 ECM (Permanent Magnet Motors)
Enclosure: UL Type 12 (Induction Motors)
 IP55 (ECM Motors)

EMI/RFI Control: Integrated filter designed to meet EN61800-3

Harmonic Suppression: Integrated dc link reactors
(in all VFDs and 112 frame ECMs)

Cooling: Fan-cooled through back channel

Ambient temperature: -14°F to +113°F (-10°C to +45°C)
up to 3280 ft (1000m) above sea level

CONTROL PANEL DATA

UL508/CSA labelled
NEMA 4 Enclosure
4.3" Color Touchscreen
Door Interlocked Main Disconnect
Fused Motor Protection
Fused Control Circuit Transformer
Power on Indication
Motor Run Indication
Virtual Hand-Off-Auto (HOA) for each pump
Flash Memory Storage

CONTROLS CAPABILITIES

Safety Features:

- High Suction Pressure Shutdown
- Low Suction Shutdown w/ Auto Restart
- End of Curve Protection
- Soft Fill Mode
- Emergency Power Mode

Conformance to ASHRAE 90.1 Section 10.4:

- No-flow shutdown
- Pressure setback mode

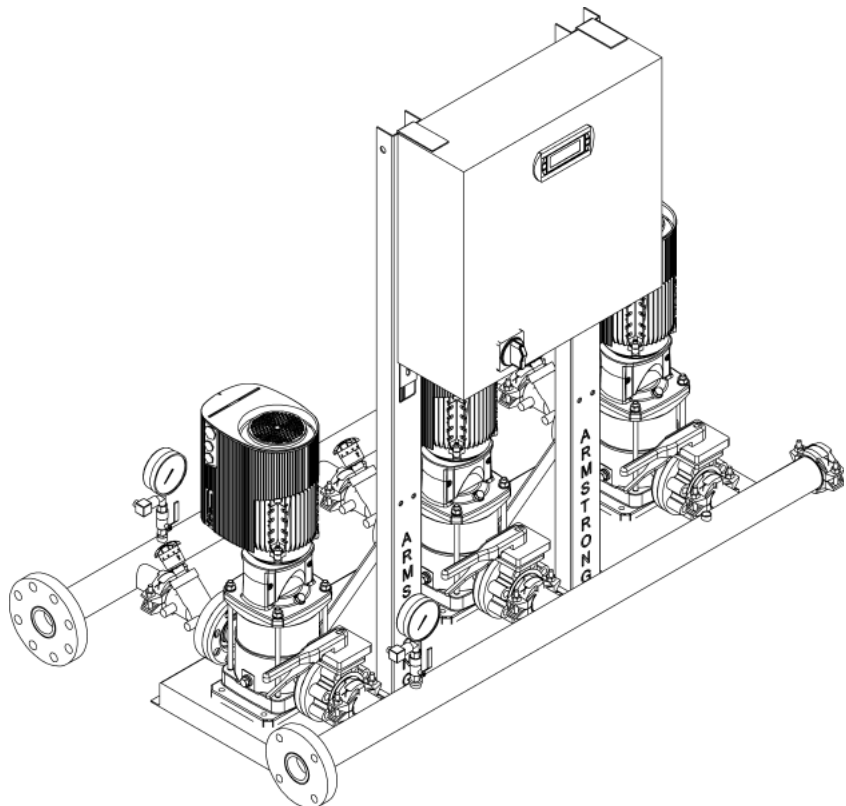
Convenience Features:

- Field Adjustable Set Points, Alarms and Timers
- Alternate Setpoints
- Auto Alternation of Pumps
- Minimal Run Timer
- Pump On Delay Timer
- Pump Switch Over (in case of lead pump failure)
- No-flow pressure optimization

OPTIONAL EQUIPMENT

- BMS Communication Protocol: BACnet/IP
 BACnet MS/TP
 Modbus RTU
 LonWorks

- Locking Handle (c/w [2] Keys)
- System PRV
- Low Suction Level Shutdown
- Float Switch
- Remote Pressure Transducer
- Header Shipped Loose



DESIGN ENVELOPE (PERMANENT MAGNET) CAPABILITY DATA											
DUTY-DUTY MODELS		DUTY-STANDBY MODELS		PUMP MODEL	MAX FLOW U _{5gpm} (L/s)		BEP EFFICIENCY (%)	HP PER PUMP	DE MOTOR FRAME		DEPM MOTOR FRAME
DE	DEPM	DE	DEPM		DUTY-DUTY MODELS	DUTY-STANDBY MODELS			ODP	TEFC	
<input type="checkbox"/> N330202	<input type="checkbox"/> PM330202	<input type="checkbox"/> N230202S	<input type="checkbox"/> PM230202S	VMS-1002B	226.2 (14.27)	150.8 (9.51)	67.60	2	56C		90S
<input type="checkbox"/> N330302	<input type="checkbox"/> PM330302	<input type="checkbox"/> N230302S		VMS-1003B	226.8 (14.31)	151.2 (9.54)	67.60	3	143/5TC		90
<input type="checkbox"/> N330402	<input type="checkbox"/> PM330402	<input type="checkbox"/> N230402S	<input type="checkbox"/> PM230402S	VMS-1004BE	206.2 (13.01)	137.5 (8.67)	67.60	3		182/4TC	90
<input type="checkbox"/> N330602	<input type="checkbox"/> PM330602	<input type="checkbox"/> N230602S	<input type="checkbox"/> PM230602S	VMS-1006B	218.5 (13.79)	145.7 (9.19)	67.60	5	182/4TC		112
<input type="checkbox"/> N330902	<input type="checkbox"/> PM330902	<input type="checkbox"/> N230902S	<input type="checkbox"/> PM230902S	VMS-1009B	218.3 (13.77)	146.5 (9.24)	67.60	7.5	182/4TC		112
<input type="checkbox"/> N331202	<input type="checkbox"/> PM331202	<input type="checkbox"/> N231202S	<input type="checkbox"/> PM231202S	VMS-1012B	218.3 (13.77)	145.5 (9.18)	67.60	10	213/5TC		112
<input type="checkbox"/> N331602		<input type="checkbox"/> N231602S		VMS-1016B	227.5 (14.35)	151.6 (9.56)	67.60	15	213/5TC		
<input type="checkbox"/> N350102		<input type="checkbox"/> N250102S		VMS-3201	556.5 (35.11)	371.0 (23.41)	68.70	5	182/4TC		
<input type="checkbox"/> N350222		<input type="checkbox"/> N250222S		VMS-3202-2	556.5 (35.11)	371.0 (23.41)	68.70	7.5	182/4TC		
<input type="checkbox"/> N350322		<input type="checkbox"/> N250322S		VMS-3203-2	558.1 (35.21)	372.1 (23.48)	68.70	10	213/5TC		
<input type="checkbox"/> N350432		<input type="checkbox"/> N250432S		VMS-3204-3	558.1 (35.21)	372.1 (23.48)	68.70	15	213/5TC		
<input type="checkbox"/> N350502		<input type="checkbox"/> N250502S		VMS-3205	549.2 (34.65)	366.2 (23.10)	68.70	20	254/6TC		
<input type="checkbox"/> N350602		<input type="checkbox"/> N250602S		VMS-3206	555.9 (35.07)	370.6 (23.38)	68.70	25		284/6TC	
<input type="checkbox"/> N360102		<input type="checkbox"/> N260102S		VMS-4501E	833.3 (52.57)	555.5 (35.05)	83.10	7.5		213/5TC	
<input type="checkbox"/> N360212		<input type="checkbox"/> N260212S		VMS-4502-1	839.6 (52.97)	559.8 (35.32)	83.10	15	213/5TC		
<input type="checkbox"/> N360302		<input type="checkbox"/> N260302S		VMS-4503-2	846.8 (53.42)	564.5 (35.61)	83.10	25		284/6TC	
<input type="checkbox"/> N360322		<input type="checkbox"/> N260322S		VMS-4503-2	846.8 (53.42)	564.5 (35.61)	83.10	20	254/6TC		
<input type="checkbox"/> N360412		<input type="checkbox"/> N260412S		VMS-4504-1	846.8 (53.42)	564.5 (35.61)	83.10	30	284/6TC		
<input type="checkbox"/> N360502		<input type="checkbox"/> N260502S		VMS-4505	830.1 (52.37)	553.4 (35)	83.10	40		324/6TSC	
<input type="checkbox"/> N370102		<input type="checkbox"/> N270102S		VMS-6401E	1177.8 (74.31)	785.2 (49.54)	84.70	10	213/5TC		
<input type="checkbox"/> N370202		<input type="checkbox"/> N270202S		VMS-6402	1217.5 (76.81)	811.7 (51.21)	84.70	25		284/6TC	
<input type="checkbox"/> N370212		<input type="checkbox"/> N270212S		VMS-6402-1	1217.5 (76.81)	811.7 (51.21)	84.70	20	254/6TC		
<input type="checkbox"/> N370322		<input type="checkbox"/> N270322S		VMS-6403-2	1217.5 (76.81)	811.7 (51.21)	84.70	30	284/6TC		
<input type="checkbox"/> N370422		<input type="checkbox"/> N270422S		VMS-6404-2	1196.6 (75.49)	797.8 (50.4)	84.70	40		324/6TSC	

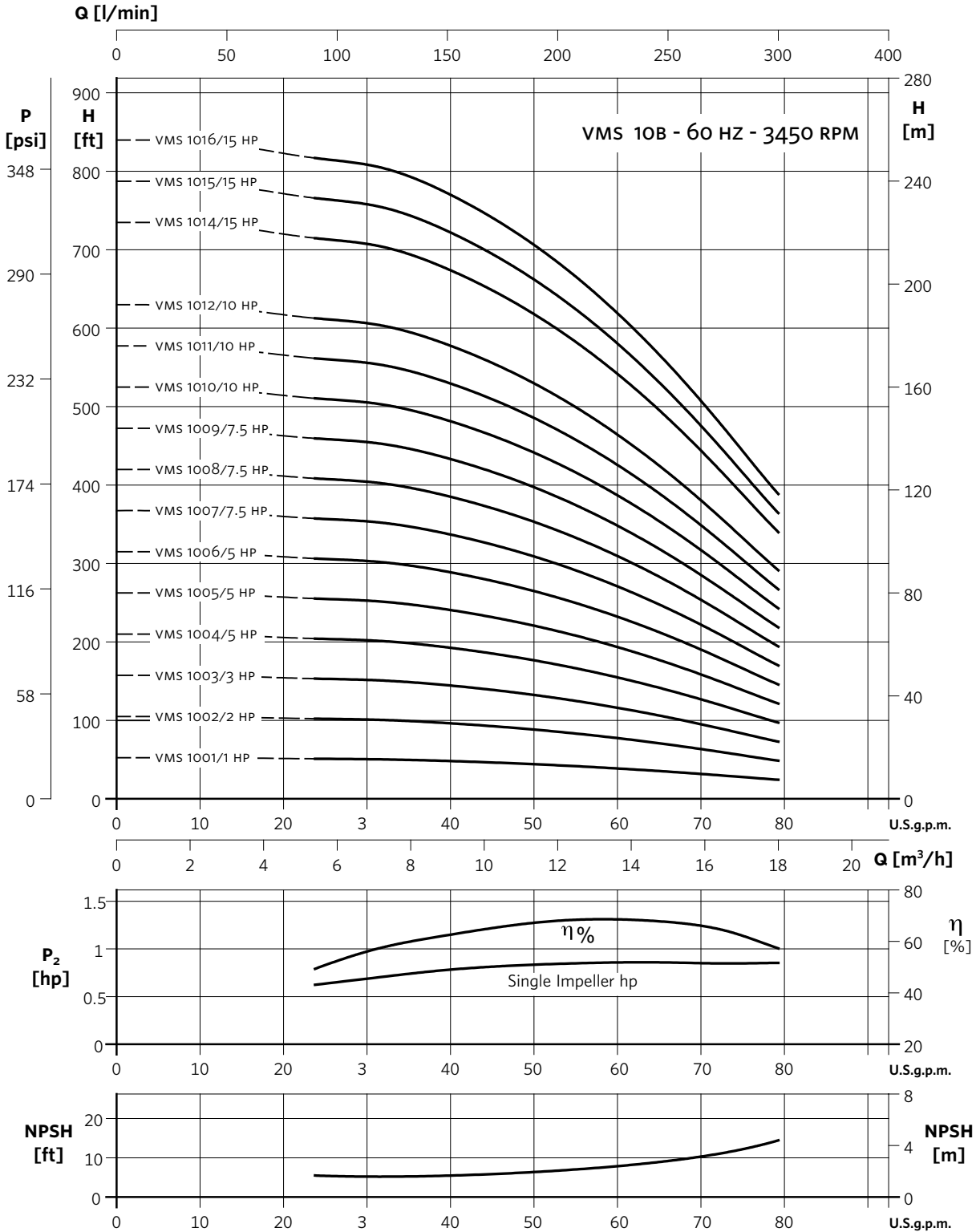
Notes:

- 1 Standard right hand orientation with grooved connections illustrated
- 2 All pumps are the same

DESIGN ENVELOPE (PERMANENT MAGNET) CAPABILITY DATA												
DUTY-DUTY MODELS		DUTY-STANDBY MODELS			PUMP MODEL	MAX FLOW U ₅ gpm (L/s)		BEP EFFICIENCY (%)	HP PER PUMP	DE MOTOR FRAME		DEPM MOTOR FRAME
DE	DEPM	DE	DEPM	DUTY-DUTY MODELS		DUTY-STANDBY MODELS	MAX HEAD ft (m)			ODP	TEFC	
<input type="checkbox"/> N380102	<input type="checkbox"/> PM380102	<input type="checkbox"/> N280102S	<input type="checkbox"/> PM280102S	VMS-1501B	350.5 (22.11)	233.6 (14.74)	62.6 (19.1)	2	56C		90S	
<input type="checkbox"/> N380202	<input type="checkbox"/> PM380202	<input type="checkbox"/> N280202S	<input type="checkbox"/> PM280202S	VMS-1502B	351.8 (22.19)	234.5 (14.79)	128.3 (39.1)	5	182/4TC		112	
<input type="checkbox"/> N380302	<input type="checkbox"/> PM380302	<input type="checkbox"/> N280302S	<input type="checkbox"/> PM280302S	VMS-1503BE	352.7 (22.25)	235.2 (14.84)	189.8 (57.9)	5	182/4TC		112	
<input type="checkbox"/> N380402	<input type="checkbox"/> PM380402	<input type="checkbox"/> N280402S	<input type="checkbox"/> PM280402S	VMS-1504BE	352.7 (22.25)	235.2 (14.84)	253.1 (77.1)	7.5	—	213/5TC	112	
<input type="checkbox"/> N380502	<input type="checkbox"/> PM380502	<input type="checkbox"/> N280502S	<input type="checkbox"/> PM280502S	VMS-1505B	350.7 (22.13)	233.8 (14.75)	316.4 (96.4)	10	213/5TC		112	
<input type="checkbox"/> N380702	—	<input type="checkbox"/> N280702S	—	VMS-1507B	352.7 (22.25)	235.2 (14.84)	442.9 (135.0)	15	213/5TC	—	—	
<input type="checkbox"/> N381002	—	<input type="checkbox"/> N281002S	—	VMS-1510B	354.7 (22.38)	236.5 (14.92)	639.9 (195.0)	20	254/6TC		—	
<input type="checkbox"/> N381202	—	<input type="checkbox"/> N281202S	—	VMS-1512B	354.7 (22.38)	236.5 (14.92)	778.1 (237.2)	25	—	284/6TC	—	
<input type="checkbox"/> N390102	<input type="checkbox"/> PM390102	<input type="checkbox"/> N290102S	<input type="checkbox"/> PM290102S	VMS-2001B	401.0 (25.29)	267.3 (16.86)	73.5 (22.4)	3	143/5TC		90	
<input type="checkbox"/> N390202	<input type="checkbox"/> PM390202	<input type="checkbox"/> N290202S	<input type="checkbox"/> PM290202S	VMS-2002B	393.8 (24.84)	262.6 (16.57)	143.5 (43.7)	5	182/4TC		112	
<input type="checkbox"/> N390302	<input type="checkbox"/> PM390302	<input type="checkbox"/> N290302S	<input type="checkbox"/> PM290302S	VMS-2003B	394.0 (24.86)	262.7 (16.57)	216.5 (66.0)	7.5	—	213/5TC	112	

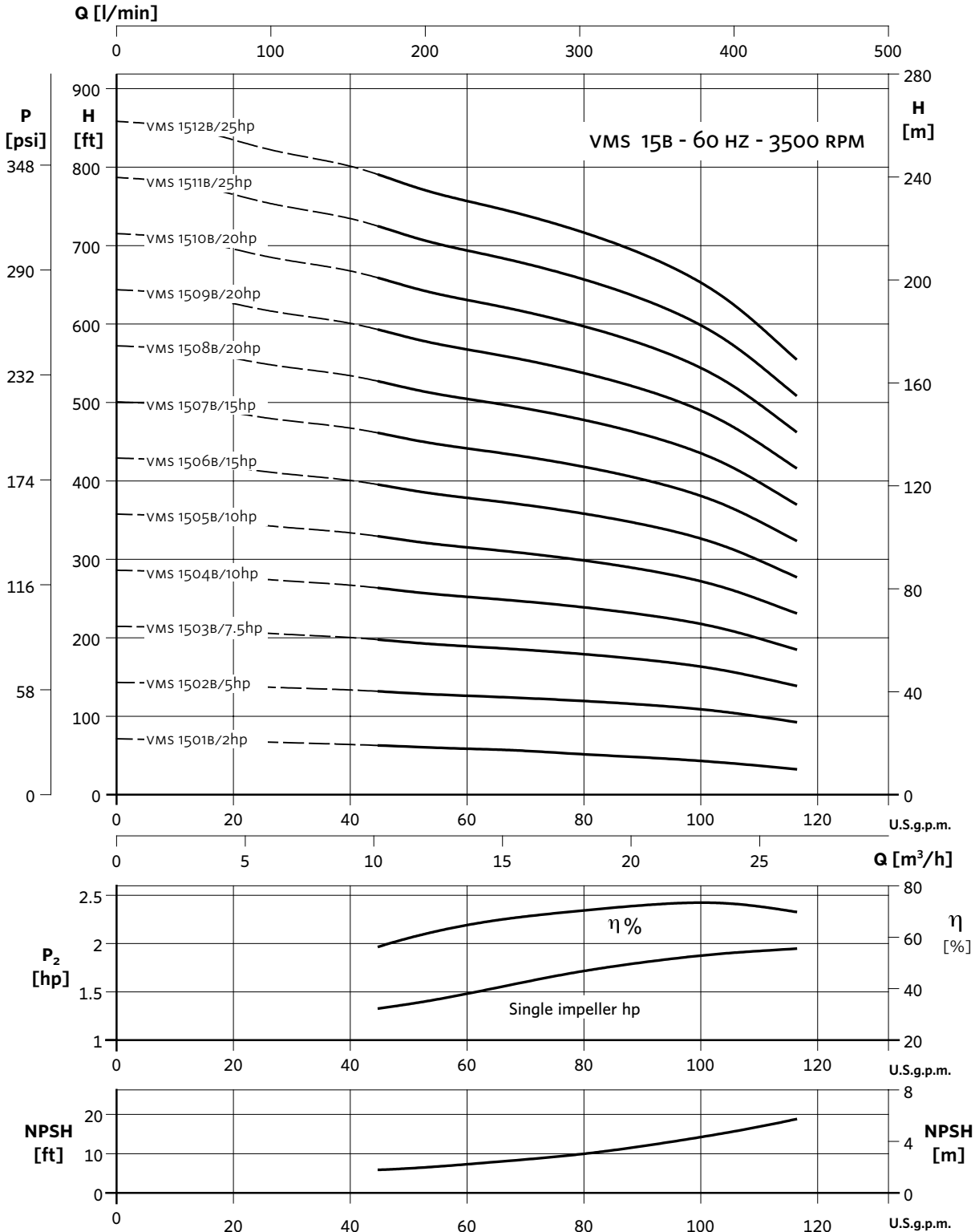
- Notes:**
- 1 Standard right hand orientation with grooved connections illustrated
 - 2 All pumps are the same

PERFORMANCE CURVE - VMS 10B



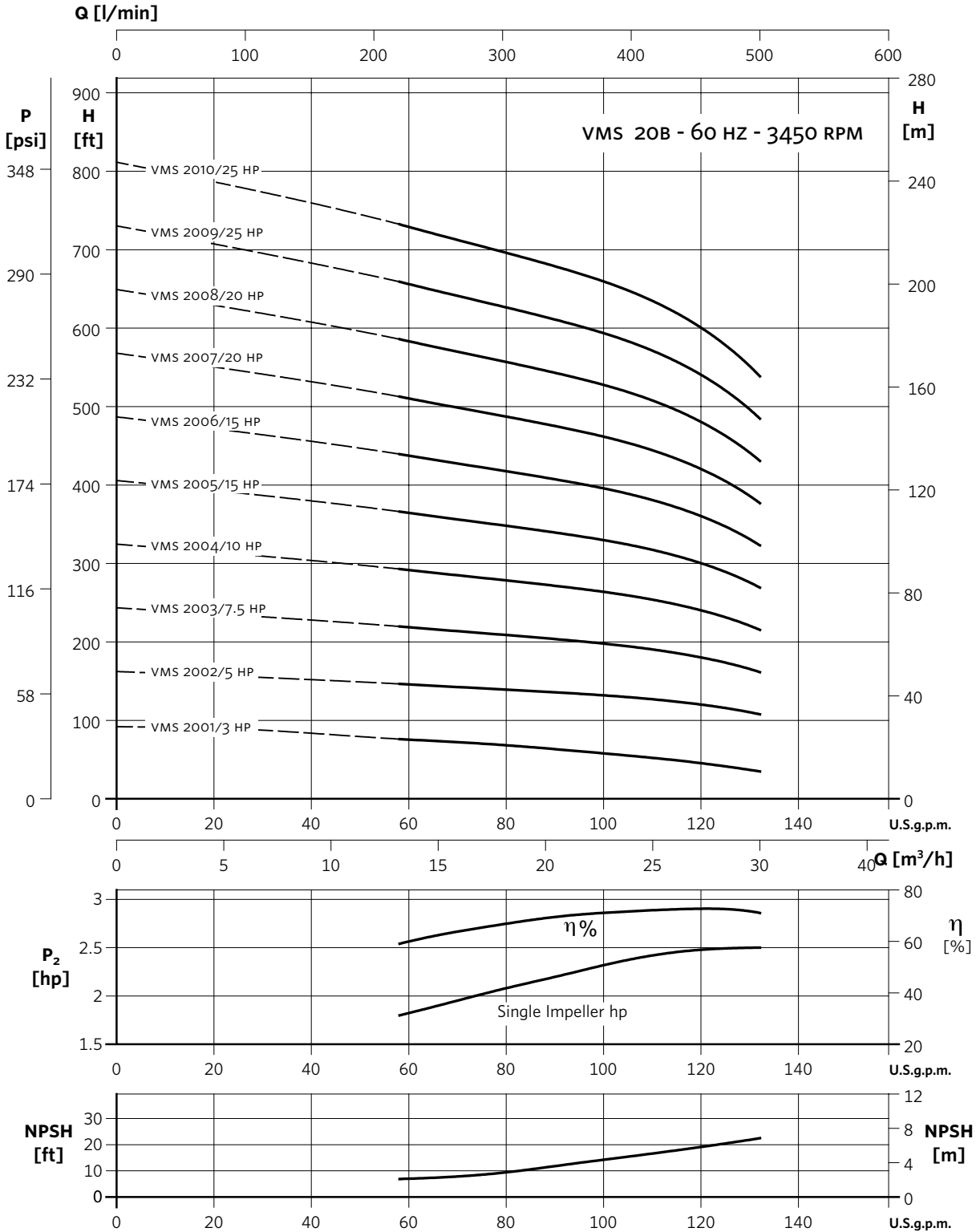
NOTE: Pump curves are shown for information purpose only and should not be used for selection. Individual pump curves don't represent the performance of a complete package as they ignore losses and control constraints. Please refer to **Curves and diagrams** on Armstrong's website for a detailed performance envelope for the specific booster model.

PERFORMANCE CURVE - VMS 15B



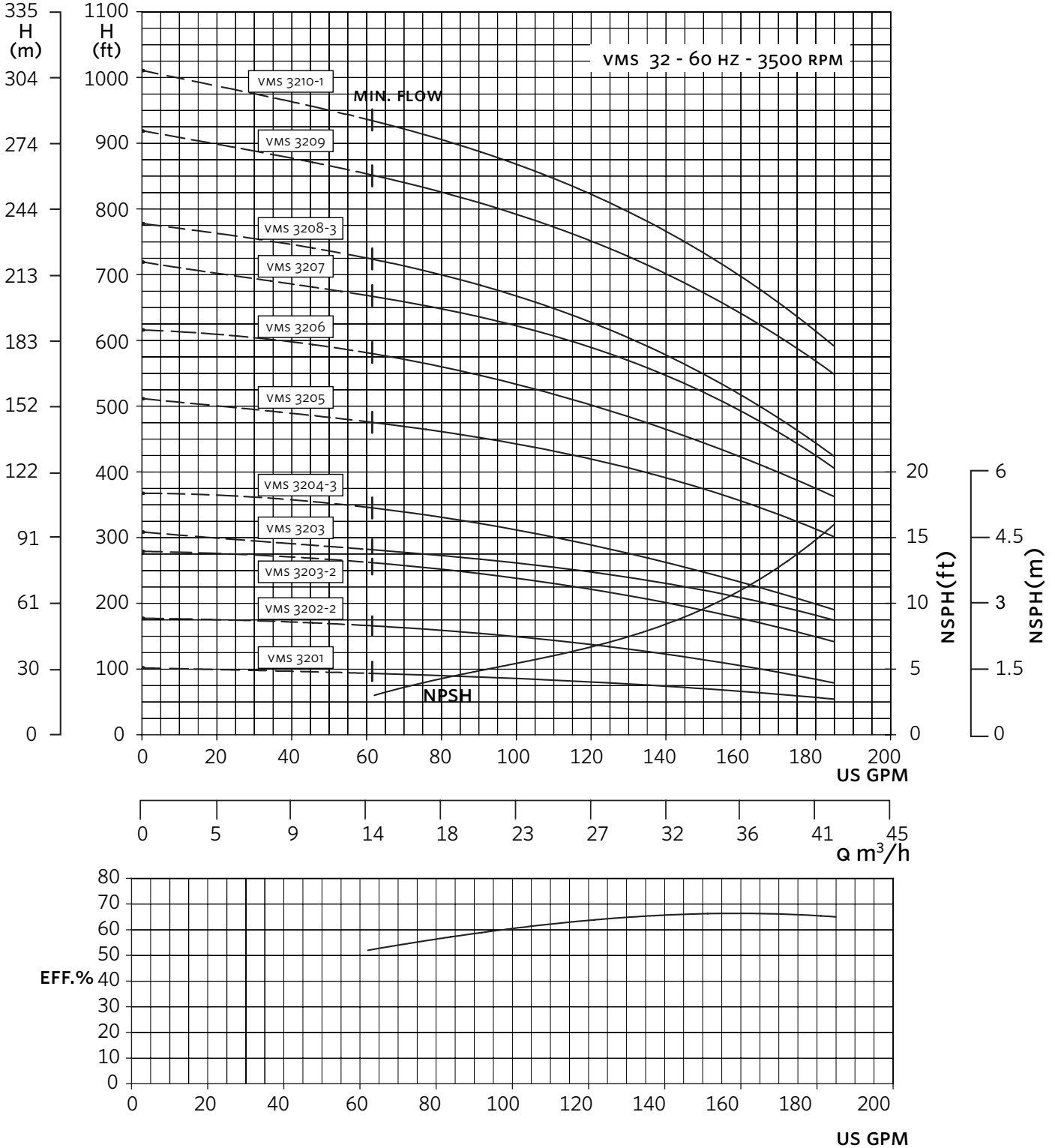
NOTE: Pump curves are shown for information purpose only and should not be used for selection. Individual pump curves don't represent the performance of a complete package as they ignore losses and control constraints. Please refer to **Curves and diagrams** on Armstrong's website for a detailed performance envelope for the specific booster model.

PERFORMANCE CURVE - VMS 20B



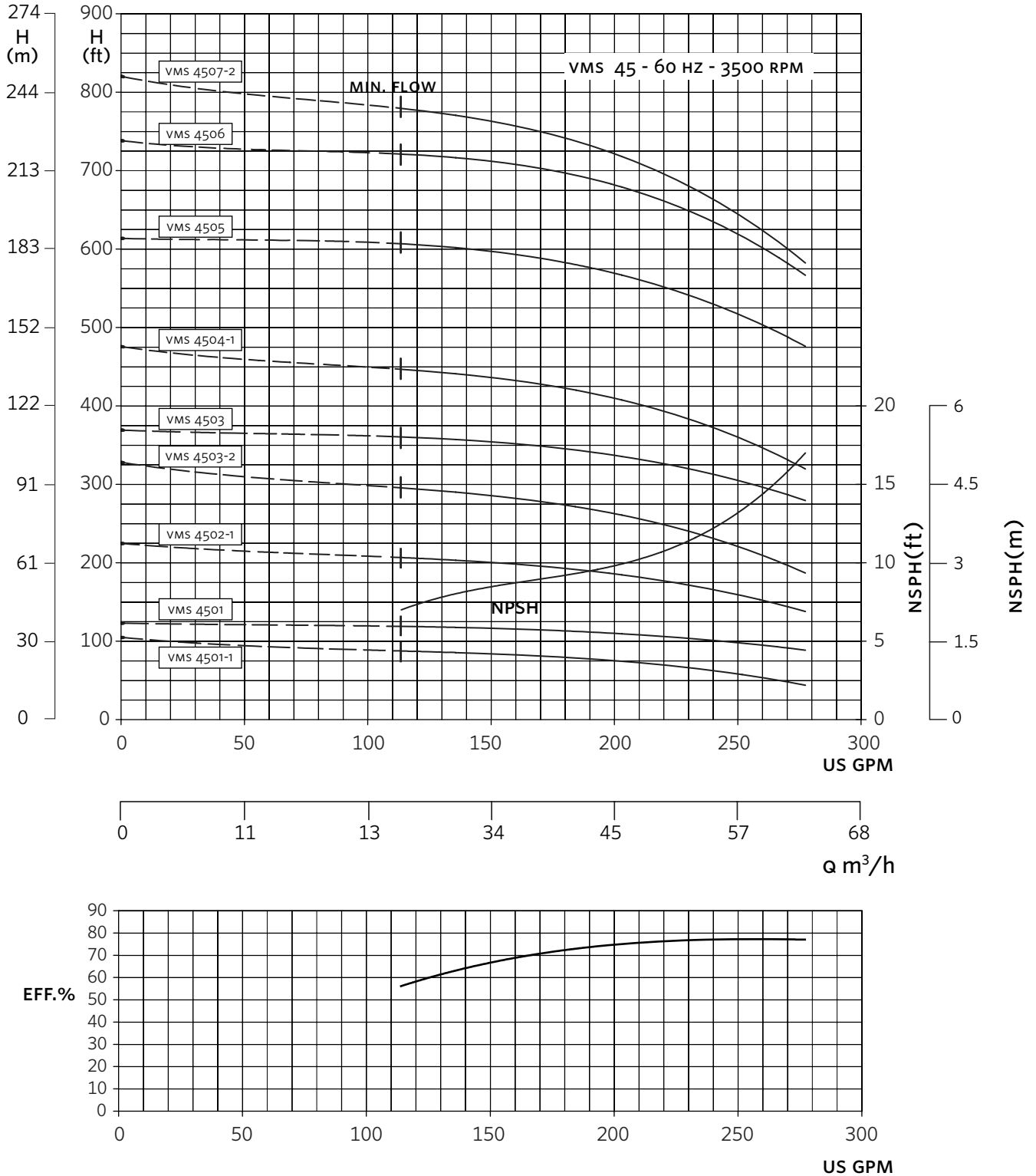
NOTE: Pump curves are shown for information purpose only and should not be used for selection. Individual pump curves don't represent the performance of a complete package as they ignore losses and control constraints. Please refer to **Curves and diagrams** on Armstrong's website for a detailed performance envelope for the specific booster model.

PERFORMANCE CURVE - VMS 32



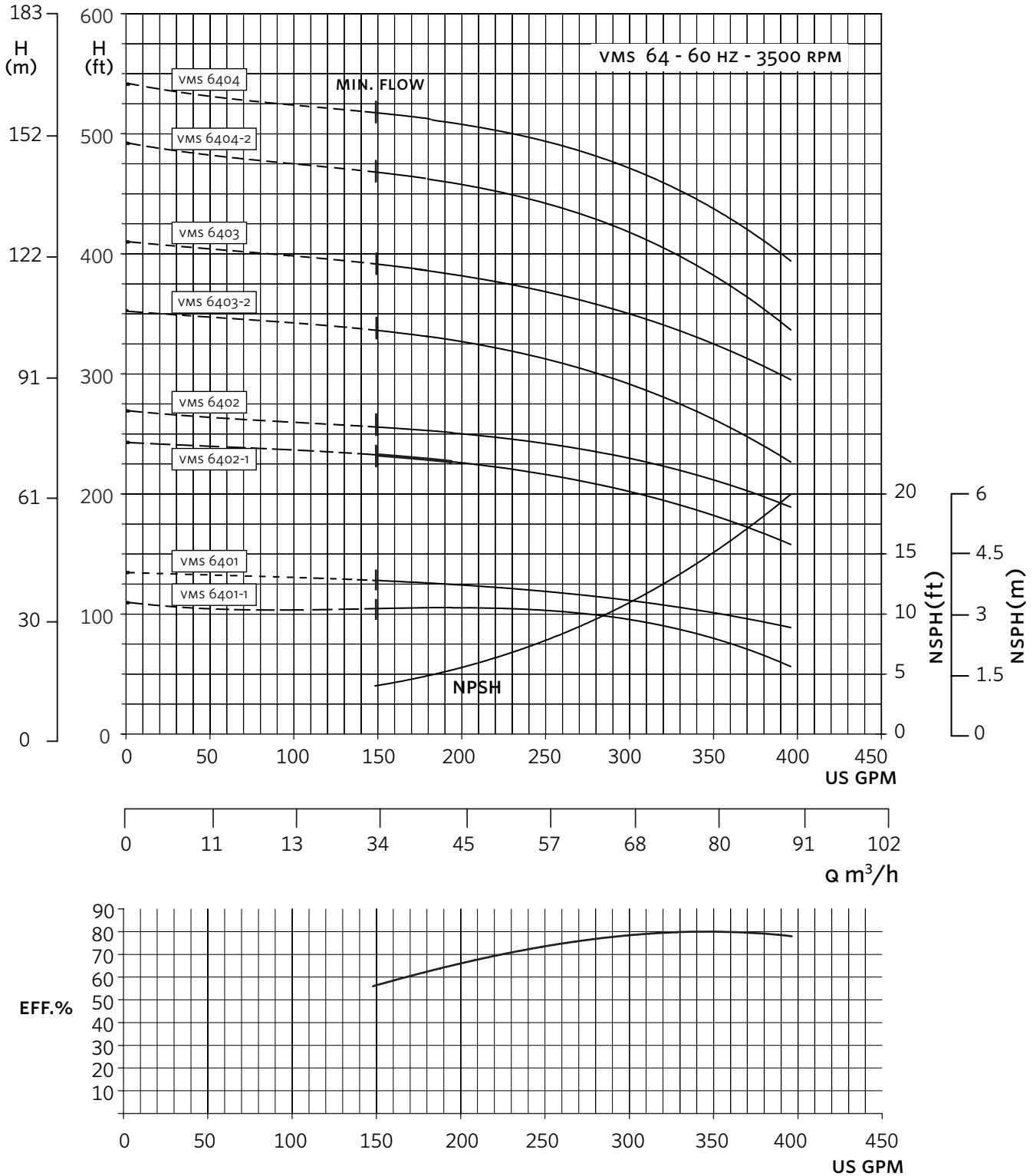
NOTE: Pump curves are shown for information purpose only and should not be used for selection. Individual pump curves don't represent the performance of a complete package as they ignore losses and control constraints. Please refer to **Curves and diagrams** on Armstrong's website for a detailed performance envelope for the specific booster model.

PERFORMANCE CURVE - VMS 45

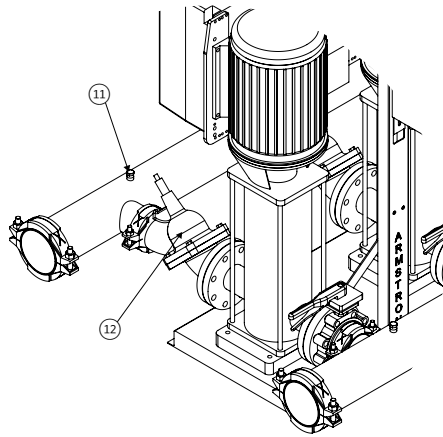
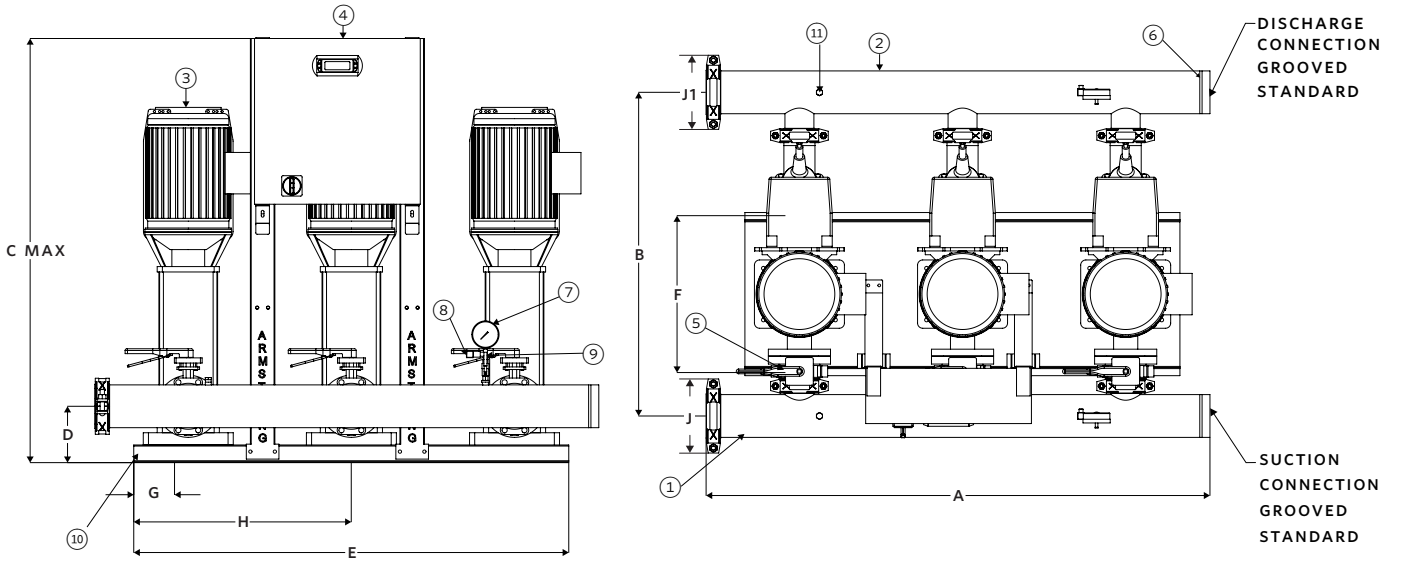


NOTE: Pump curves are shown for information purpose only and should not be used for selection. Individual pump curves don't represent the performance of a complete package as they ignore losses and control constraints. Please refer to **Curves and diagrams** on Armstrong's website for a detailed performance envelope for the specific booster model.

PERFORMANCE CURVE - VMS 64



NOTE: Pump curves are shown for information purpose only and should not be used for selection. Individual pump curves don't represent the performance of a complete package as they ignore losses and control constraints. Please refer to **Curves and diagrams** on Armstrong's website for a detailed performance envelope for the specific booster model.



Triplex Domestic Cold Water Booster

ITEM	DESCRIPTION
①	Stainless steel suction header
②	Stainless steel discharge header
③	Pump with integrated ivs controls
④	Control panel with plc
⑤	Suction isolation valve
⑥	Grooved connection
⑦	Pressure gauge
⑧	Pressure transducer
⑨	Pressure gauge isolation valve
⑩	Stainless steel base and panel support
⑪	Plug pipe
⑫	Flo-Trex valve

DUTY-DUTY MODELS		DUTY-STANDBY MODELS		A	B	C	D	E	F	G	H	J	J1	CONNECTION SIZE	MAX WORKING PRESSURE	DE WEIGHT	DEPM WEIGHT			
DE	DEPM	DE	DEPM	inches (mm)														inches	psi (bar)	lbs (kg)
<input type="checkbox"/> N33020	<input type="checkbox"/> PM33020	<input type="checkbox"/> N230202S	<input type="checkbox"/> PM230202S	63.99 (1625)	30.70 (780)	61.42 (1560)	6.19 (157)	57.09 (1450)	16.81 (427)	7.87 (200)	28.54 (725)	7.50 (191)	7.50 (191)	3	232 (16)	811 (368)	719 (326)			
<input type="checkbox"/> N33030	<input type="checkbox"/> PM33030	<input type="checkbox"/> N230302S	—	63.99 (1625)	30.70 (780)	61.42 (1560)	6.19 (157)	57.09 (1450)	16.81 (427)	7.87 (200)	28.54 (725)	7.50 (191)	7.50 (191)	3	233 (16)	870 (395)	1134 (514)			
<input type="checkbox"/> N33040	<input type="checkbox"/> PM33040	<input type="checkbox"/> N230402S	<input type="checkbox"/> PM230402S	63.99 (1625)	30.70 (780)	61.42 (1560)	6.19 (157)	57.09 (1450)	16.81 (427)	7.87 (200)	28.54 (725)	7.50 (191)	7.50 (191)	3	232 (16)	877 (398)	785 (356)			
<input type="checkbox"/> N33060	<input type="checkbox"/> PM33060	<input type="checkbox"/> N230602S	<input type="checkbox"/> PM230602S	63.99 (1625)	30.70 (780)	61.42 (1560)	6.19 (157)	57.09 (1450)	16.81 (427)	7.87 (200)	28.54 (725)	7.50 (191)	7.50 (191)	3	232 (16)	887 (402)	794 (360)			
<input type="checkbox"/> N33090	<input type="checkbox"/> PM33090	<input type="checkbox"/> N230902S	<input type="checkbox"/> PM230902S	63.99 (1625)	30.70 (780)	61.42 (1560)	6.19 (157)	57.09 (1450)	16.81 (427)	7.87 (200)	28.54 (725)	7.50 (191)	7.50 (191)	3	232 (16)	1067 (484)	975 (442)			
<input type="checkbox"/> N33120	<input type="checkbox"/> PM33120	<input type="checkbox"/> N231202S	<input type="checkbox"/> PM231202S	63.99 (1625)	30.70 (780)	61.42 (1560)	6.19 (157)	57.09 (1450)	16.81 (427)	7.87 (200)	28.54 (725)	7.50 (191)	8.25 (210)	3	363 (25)	1346 (611)	1255 (569)			
<input type="checkbox"/> N33160	—	<input type="checkbox"/> N231602S	—	63.99 (1625)	30.70 (780)	61.42 (1560)	6.19 (157)	57.09 (1450)	16.81 (427)	7.87 (200)	28.54 (725)	7.50 (191)	8.25 (210)	3	363 (25)	1478 (671)	—			
<input type="checkbox"/> N35010	—	<input type="checkbox"/> N250102S	—	68.13 (1731)	39.63 (1007)	61.42 (1560)	6.78 (172)	62.99 (1600)	22.72 (577)	5.91 (150)	31.50 (800)	9.00 (229)	9.00 (229)	4	232 (16)	1311 (595)	—			
<input type="checkbox"/> N35022	—	<input type="checkbox"/> N250222S	—	68.13 (1731)	39.63 (1007)	61.42 (1560)	6.78 (172)	62.99 (1600)	22.72 (577)	5.91 (150)	31.50 (800)	9.00 (229)	9.00 (229)	4	232 (16)	1435 (651)	—			
<input type="checkbox"/> N35032	—	<input type="checkbox"/> N250322S	—	68.13 (1731)	39.63 (1007)	61.42 (1560)	6.78 (172)	62.99 (1600)	22.72 (577)	5.91 (150)	31.50 (800)	9.00 (229)	9.00 (229)	4	232 (16)	1828 (829)	—			
<input type="checkbox"/> N35043	—	<input type="checkbox"/> N250432S	—	68.13 (1731)	39.63 (1007)	61.42 (1560)	6.78 (172)	62.99 (1600)	22.72 (577)	5.91 (150)	31.50 (800)	9.00 (229)	9.00 (229)	4	232 (16)	1894 (859)	—			
<input type="checkbox"/> N35050	—	<input type="checkbox"/> N250502S	—	68.13 (1731)	41.63 (1057)	61.42 (1560)	6.78 (172)	62.99 (1600)	22.72 (577)	5.91 (150)	31.50 (800)	9.00 (229)	10.00 (254)	4	363 (25)	2235 (1014)	—			
<input type="checkbox"/> N35060	—	<input type="checkbox"/> N250602S	—	68.13 (1731)	41.63 (1057)	62.12 (1578)	6.78 (172)	62.99 (1600)	22.72 (577)	5.91 (150)	31.50 (800)	9.00 (229)	10.00 (254)	4	363 (25)	2861 (1298)	—			
<input type="checkbox"/> N36010	—	<input type="checkbox"/> N260102S	—	72.96 (1853)	43.85 (1114)	61.42 (1560)	8.16 (207)	62.99 (1600)	22.72 (577)	5.91 (150)	31.50 (800)	11.00 (279)	11.00 (279)	6	232 (16)	1617 (733)	—			
<input type="checkbox"/> N36021	—	<input type="checkbox"/> N260212S	—	72.96 (1853)	43.85 (1114)	61.42 (1560)	8.16 (207)	62.99 (1600)	22.72 (577)	5.91 (150)	31.50 (800)	11.00 (279)	11.00 (279)	6	232 (16)	2056 (933)	—			
<input type="checkbox"/> N36030	—	<input type="checkbox"/> N260302S	—	72.96 (1853)	43.85 (1114)	61.42 (1560)	8.16 (207)	62.99 (1600)	22.72 (577)	5.91 (150)	31.50 (800)	11.00 (279)	11.00 (279)	6	233 (16)	2993 (1358)	—			
<input type="checkbox"/> N36032	—	<input type="checkbox"/> N260322S	—	72.96 (1853)	43.85 (1114)	61.42 (1560)	8.16 (207)	62.99 (1600)	22.72 (577)	5.91 (150)	31.50 (800)	11.00 (279)	11.00 (279)	6	232 (16)	2387 (1083)	—			
<input type="checkbox"/> N36041	—	<input type="checkbox"/> N260412S	—	72.96 (1853)	45.85 (1165)	63.95 (1624)	8.16 (207)	62.99 (1600)	22.72 (577)	5.91 (150)	31.50 (800)	11.00 (279)	12.50 (318)	6	363 (25)	3115 (1413)	—			
<input type="checkbox"/> N36050	—	<input type="checkbox"/> N260502S	—	72.96 (1853)	45.85 (1165)	68.45 (1739)	8.16 (207)	62.99 (1600)	22.72 (577)	5.91 (150)	31.50 (800)	11.00 (279)	12.50 (318)	6	363 (25)	3873 (1757)	—			

Note:
1 Tolerances are ±1/2" (12 mm) unless otherwise specified
2 Dimensions are based on boosters shipped with headers installed. Dimensions and weight for Optional Header Shipped Loose available upon request

DUTY-DUTY MODELS		DUTY-STANDBY MODELS		A	B	C MAX	D	E	F	G	H	J	J1	CONNECTION SIZE	MAX WORKING PRESSURE	DE WEIGHT	DEPDM WEIGHT
DE	DEPDM	DE	DEPDM														
<input type="checkbox"/> N370102	—	<input type="checkbox"/> N270102S	—	73.15 (1858)	48.87 (1241)	61.42 (1560)	8.16 (207)	62.99 (1600)	22.72 (577)	5.91 (150)	31.50 (800)	13.50 (343)	13.50 (343)	8	232 (16)	2322 (1053)	—
<input type="checkbox"/> N370202	—	<input type="checkbox"/> N270202S	—	72.96 (1853)	46.87 (1190)	61.42 (1560)	8.16 (207)	62.99 (1600)	22.72 (577)	5.91 (150)	31.50 (800)	11.00 (279)	11.00 (279)	8	233 (16)	3299 (1496)	—
<input type="checkbox"/> N370212	—	<input type="checkbox"/> N270212S	—	73.15 (1858)	48.87 (1241)	61.42 (1560)	8.16 (207)	62.99 (1600)	22.72 (577)	5.91 (150)	31.50 (800)	13.50 (343)	13.50 (343)	8	232 (16)	2693 (1221)	—
<input type="checkbox"/> N370322	—	<input type="checkbox"/> N270322S	—	73.15 (1858)	48.87 (1241)	61.42 (1560)	8.16 (207)	62.99 (1600)	22.72 (577)	5.91 (150)	31.50 (800)	13.50 (343)	13.50 (343)	8	232 (16)	3372 (1529)	—
<input type="checkbox"/> N370422	—	<input type="checkbox"/> N270422S	—	73.15 (1858)	51.44 (1307)	64.75 (1645)	8.16 (207)	62.99 (1600)	22.72 (577)	5.91 (150)	31.50 (800)	13.50 (343)	15.00 (381)	8	363 (25)	4106 (1863)	—
<input type="checkbox"/> N380102	<input type="checkbox"/> PM380102	<input type="checkbox"/> N280102S	<input type="checkbox"/> PM280102S	63.99 (1625)	30.70 (780)	61.42 (1560)	6.19 (157)	57.09 (1450)	16.81 (427)	7.87 (200)	28.54 (725)	7.50 (191)	7.50 (191)	3	232 (16)	795 (361)	704 (319)
<input type="checkbox"/> N380202	<input type="checkbox"/> PM380202	<input type="checkbox"/> N280202S	<input type="checkbox"/> PM280202S	63.99 (1625)	30.70 (780)	61.42 (1560)	6.19 (157)	57.09 (1450)	16.81 (427)	7.87 (200)	28.54 (725)	7.50 (191)	7.50 (191)	3	232 (16)	848 (385)	757 (343)
<input type="checkbox"/> N380302	<input type="checkbox"/> PM380302	<input type="checkbox"/> N280302S	<input type="checkbox"/> PM280302S	63.99 (1625)	30.70 (780)	61.42 (1560)	6.19 (157)	57.09 (1450)	16.81 (427)	7.87 (200)	28.54 (725)	7.50 (191)	7.50 (191)	3	232 (16)	908 (412)	816 (370)
<input type="checkbox"/> N380402	<input type="checkbox"/> PM380402	<input type="checkbox"/> N280402S	<input type="checkbox"/> PM280402S	63.99 (1625)	30.70 (780)	61.42 (1560)	6.19 (157)	57.09 (1450)	16.81 (427)	7.87 (200)	28.54 (725)	7.50 (191)	7.50 (191)	3	232 (16)	1026 (465)	933 (423)
<input type="checkbox"/> N380502	<input type="checkbox"/> PM380502	<input type="checkbox"/> N280502S	<input type="checkbox"/> PM280502S	63.99 (1625)	30.70 (780)	61.42 (1560)	6.19 (157)	57.09 (1450)	16.81 (427)	7.87 (200)	28.54 (725)	7.50 (191)	7.50 (191)	3	232 (16)	1288 (584)	1196 (542)
<input type="checkbox"/> N380702	—	<input type="checkbox"/> N280702S	—	63.99 (1625)	30.70 (780)	61.42 (1560)	6.19 (157)	57.09 (1450)	16.81 (427)	7.87 (200)	28.54 (725)	7.50 (191)	7.50 (191)	3	232 (16)	1420 (644)	—
<input type="checkbox"/> N381002	—	<input type="checkbox"/> N281002S	—	63.99 (1625)	30.70 (780)	61.42 (1560)	6.19 (157)	57.09 (1450)	16.81 (427)	7.87 (200)	28.54 (725)	7.50 (191)	8.25 (210)	3	363 (25)	1730 (784)	—
<input type="checkbox"/> N381202	—	<input type="checkbox"/> N281202S	—	63.99 (1625)	30.70 (780)	61.42 (1560)	6.19 (157)	57.09 (1450)	16.81 (427)	7.87 (200)	28.54 (725)	7.50 (191)	8.25 (210)	3	363 (25)	2354 (1068)	—
<input type="checkbox"/> N390102	<input type="checkbox"/> PM390102	<input type="checkbox"/> N290102S	<input type="checkbox"/> PM290102S	63.99 (1625)	30.70 (780)	61.42 (1560)	6.19 (157)	57.09 (1450)	16.81 (427)	7.87 (200)	28.54 (725)	7.50 (191)	7.50 (191)	3	232 (16)	848 (385)	543 (246)
<input type="checkbox"/> N390202	<input type="checkbox"/> PM390202	<input type="checkbox"/> N290202S	<input type="checkbox"/> PM290202S	63.99 (1625)	30.70 (780)	61.42 (1560)	6.19 (157)	57.09 (1450)	16.81 (427)	7.87 (200)	28.54 (725)	7.50 (191)	7.50 (191)	3	232 (16)	848 (385)	757 (343)
<input type="checkbox"/> N390302	<input type="checkbox"/> PM390302	<input type="checkbox"/> N290302S	<input type="checkbox"/> PM290302S	63.99 (1625)	30.7 (780)	61.42 (1560)	6.19 (157)	57.09 (1450)	16.81 (427)	7.87 (200)	28.54 (725)	7.5 (191)	7.5 (191)	3	232 (16)	1017 (461)	924 (419)

Note:

- 1 Tolerances are ±1/2" (12 mm) unless otherwise specified
- 2 Dimensions are based on boosters shipped with headers installed. Dimensions and weight for Optional Header Shipped Loose available upon request

TORONTO

23 BERTRAND AVENUE
TORONTO, ONTARIO
CANADA, M1L 2P3
+1 416 755 2291

BUFFALO

93 EAST AVENUE
NORTH TONAWANDA, NEW YORK
U.S.A., 14120-6594
+1 716 693 8813

DROITWICH SPA

POINTON WAY,
STONEBRIDGE CROSS BUSINESS PARK
DROITWICH SPA, WORCESTERSHIRE
UNITED KINGDOM, WR9 0LW
+44 8444 145 145

MANCHESTER

WOLVERTON STREET
MANCHESTER
UNITED KINGDOM, M11 2ET
+44 8444 145 145

BANGALORE

#59, FIRST FLOOR, 3RD MAIN
MARGOSA ROAD, MALLESWARAM
BANGALORE, INDIA, 560 003
+91 80 4906 3555

SHANGHAI

UNIT 903, 888 NORTH SICHUAN RD.
HONGKOU DISTRICT, SHANGHAI
CHINA, 200085
+86 21 5237 0909

SÃO PAULO

RUA JOSÉ SEMIÃO RODRIGUES AGOSTINHO,
1370 GALPÃO 6 EMBU DAS ARTES
SAO PAULO, BRAZIL
+55 11 4785 1330

LYON

93 RUE DE LA VILLETTE
LYON, 69003 FRANCE
+33 4 26 83 78 74

DUBAI

JAFZA VIEW 19, OFFICE 402
P.O.BOX 18226 JAFZA,
DUBAI - UNITED ARAB EMIRATES
+971 4 887 6775

MANNHEIM

DYNAMOSTRASSE 13
68165 MANNHEIM
GERMANY
+49 621 3999 9858

JIMBOLIA

STR CALEA MOTILOR NR. 2C
JIMBOLIA 305400, JUD.TIMIS
ROMANIA
+40 256 360 030

ARMSTRONG FLUID TECHNOLOGY
ESTABLISHED 1934

ARMSTRONGFLUIDTECHNOLOGY.COM