

DESIGN ENVELOPE FIRE PUMP UNIT | SUBMITTAL

File No: F100.200
 Date: JANUARY 25, 2024
 Supersedes: F100.200
 Date: DECEMBER 30, 2020

Job: _____ Representative: _____
 _____ Order no.: _____ Date: _____
 Engineer: _____ Submitted by: _____ Date: _____
 Contractor: _____ Approved by: _____ Date: _____

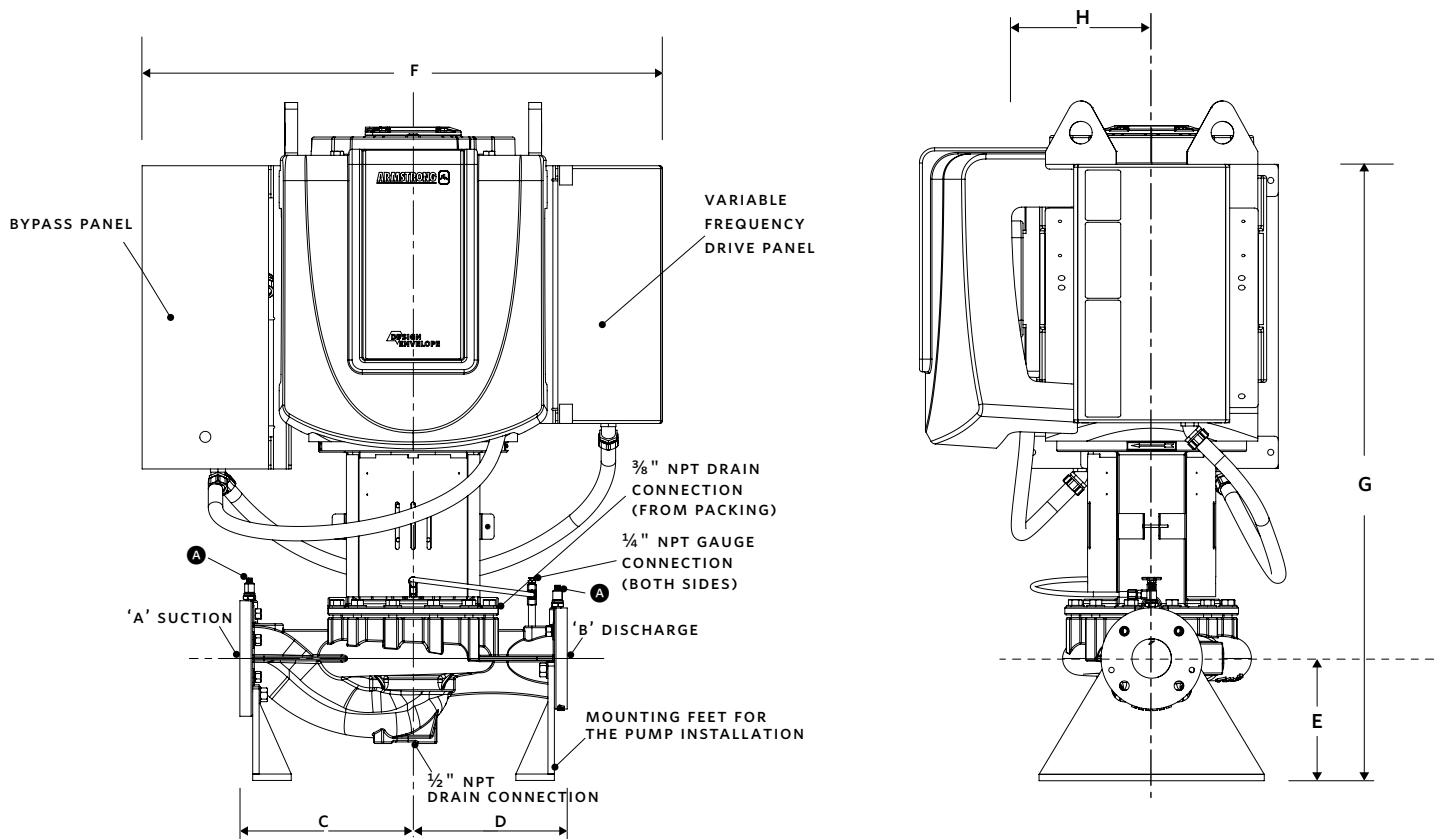
FIRE PUMP LISTING

- UL
- ULC

- Dimensions are not to be used for construction purposes unless certified.
- Data subject to change without notice.

FLANGE RATING

- ANSI 125# STD
- ANSI 250#



A: PRESSURE TRANSDUCERS (FACTORY WIRED TO VFD UNIT)

PUMP DATA

PUMP	DIMENSIONS inches (mm)					WEIGHT
MODEL	A	B	C	D	E	lbs (kgs)
4×3×9 PF*	4.0 (101.6)	3.0 (76.2)	13.5 (342.9)	12.0 (304.8)	9.5 (241.3)	1874 (850)
5×4×9 PF	5.0 (127.0)	4.0 (101.6)	17.1 (434.6)	13.4 (340.1)	13.3 (336.6)	1984 (900)
6×5×9 PF	6.0 (152.4)	5.0 (127.0)	18.5 (469.9)	14.5 (368.3)	13.5 (342.9)	2094 (950)
4×3×10 PF	4.0 (101.6)	3.0 (76.2)	13.5 (342.9)	12.0 (304.8)	11.0 (279.4)	2094 (950)
5×4×10 PF	5.0 (127.0)	4.0 (101.6)	16.0 (406.4)	15.0 (381.0)	13.5 (342.9)	2315 (1050)
6×5×10 PF	6.0 (152.4)	5.0 (127.0)	18.5 (469.9)	15.0 (381.0)	13.0 (330.2)	2315 (1050)
8×6×18 PF	8.0 (203.2)	6.0 (152.4)	27.0 (685.8)	21.8 (552.5)	16.5 (419.1)	2866 (1300)

MOTOR DATA

PUMP	G - DIMENSIONS inches (mm)			
MODEL	FRAME			
	254/256	284/286	324/326/364/365/404/405	444/445
4×3×9 PF*	46.3 (1174.8)	50.3 (1276.4)	53.0 (1346.2)	—
5×4×9 PF	—	—	53.0 (1346.2)	—
6×5×9 PF	—	50.3 (1276.4)	53.0 (1346.2)	—
4×3×10 PF	—	50.3 (1276.4)	53.0 (1346.2)	—
5×4×10 PF	—	—	53.0 (1346.2)	61.0 (1549.4)
6×5×10 PF	—	—	53.0 (1346.2)	61.0 (1549.4)
8×6×18 PF	—	—	53.0 (1346.2)	61.0 (1549.4)

TORONTO
+1 416 755 2291

BUFFALO
+1 716 693 8813

DROITWICH SPA
+44 121 550 5333

MANCHESTER
+44 161 223 2223

BANGALORE
+91 80 4906 3555

SHANGHAI
+86 21 5237 0909

BEIJING
+86 21 5237 0909

SÃO PAULO
+55 11 4785 1330

LYON
+33 4 20 10 26 21

DUBAI
+971 4 887 6775

JIMBOLIA
+40 256 360 030

FRANKFURT
+49 6173 999 77 55

MOTOR	DIMENSIONS inches (mm)	
FRAME	F MAX	H MAX
254/256	41.0 (1041.4)	9.6 (244.5)
284/286	41.5 (1054.1)	13.1 (333.4)
324/326	49.1 (1247.8)	14.1 (358.8)
364/365	49.1 (1247.8)	15.1 (382.6)
404/405	49.1 (1247.8)	18.0 (457.2)
444/445	51.8 (1314.5)	19.6 (496.9)

NOTE: Design Envelope Fire pump unit is utilizing 4×3×9PF pump which is UL listed all other models are pending approval.