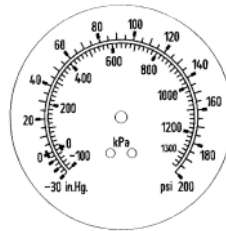
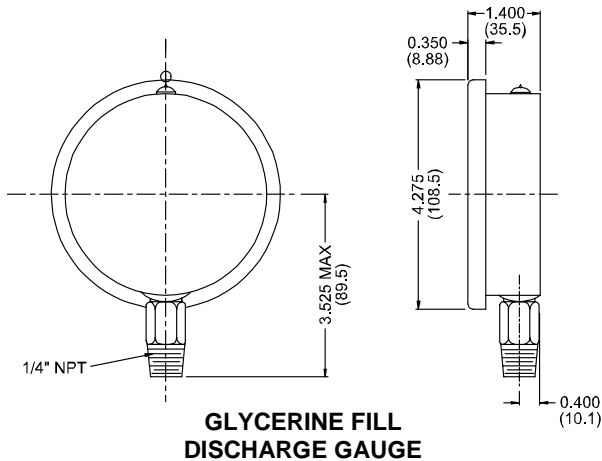


## MINIMUM FITTINGS

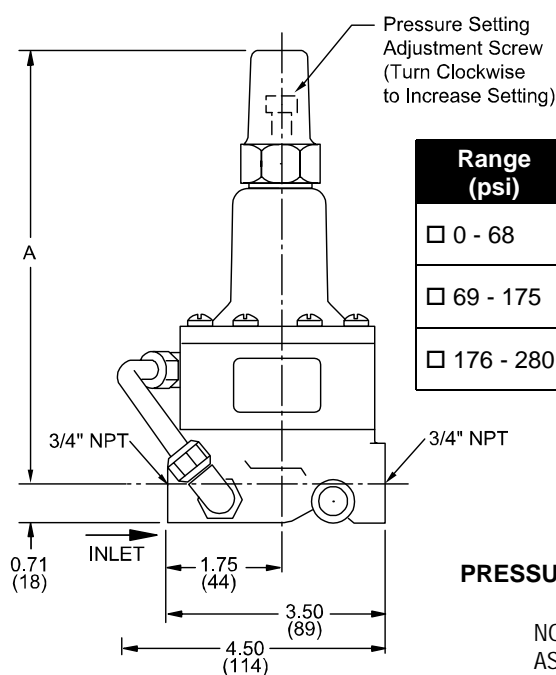
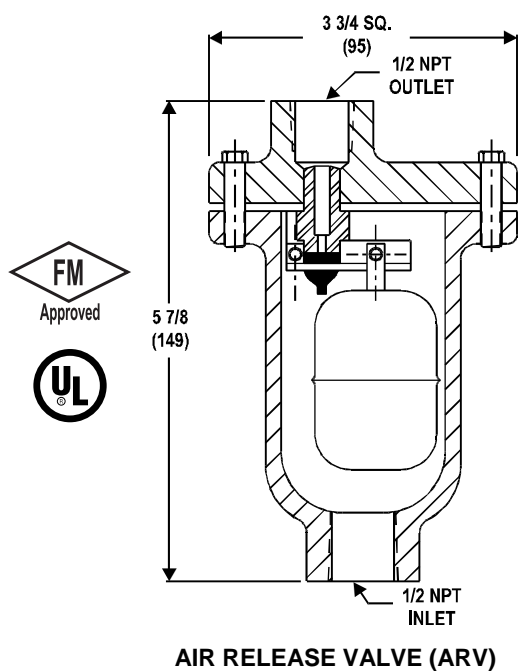
## SUBMITTAL DRAWING

JOB: _____	REPRESENTATIVE: _____
ENGINEER: _____	ORDER NO: _____ DATE: _____
CONTRACTOR: _____	SUBMITTED BY: _____ DATE: _____
	APPROVED BY: _____ DATE: _____

### 4" Bottom Connection with optional Back Flange



Pump	Electric	Diesel
HSC	<input type="checkbox"/> Includes: Gauges, ARV and Pressure Relief Valve	<input type="checkbox"/> Includes: Gauges and ARV
ES	<input type="checkbox"/> Optional: Gauges and Pressure Relief Valve	<input type="checkbox"/> Includes: Gauges
VIL	<input type="checkbox"/> Optional: Gauges and Pressure Relief Valve	N/A



Range (psi)	Approval	A
<input type="checkbox"/> 0 - 68	UL/FM	7.44 (189)
<input type="checkbox"/> 69 - 175	UL/FM	7.44 (189)
<input type="checkbox"/> 176 - 280	FM	10.44 (265)

### PRESSURE RELIEF VALVE

NOTE:  
AS PER NFPA-20 SECT. 5.11.

Note: Dimensions are not used for construction purposes unless certified.  
Data subject to change without notice.

All dimensions are in inches (mm)

S. A. Armstrong Limited  
23 Bertrand Avenue  
Toronto, Ontario  
Canada, M1L 2P3  
T: (416) 755-2291  
F (Main): (416) 759-9101

Armstrong Pumps Inc.  
93 East Avenue  
North Tonawanda, New York  
U.S.A. 14120-6594  
T: (716) 693-8813  
F: (716) 693-8970

Armstrong Holden Brooke Pullen  
Wenlock Way  
Manchester  
United Kingdom, M12 5JL  
T: +44 (0) 161 223 2223  
F: +44 (0) 161 220 9660



© S.A. Armstrong Limited 2006