

MAIN RELIEF VALVE AND WASTE CONE | SUBMITTAL DRAWING

File No: F43.452
 Date: JANUARY 7, 2016
 Supersedes: F43.452
 Date: MARCH 7, 2006

Job: _____ Representative: _____

Order No: _____ Date: _____

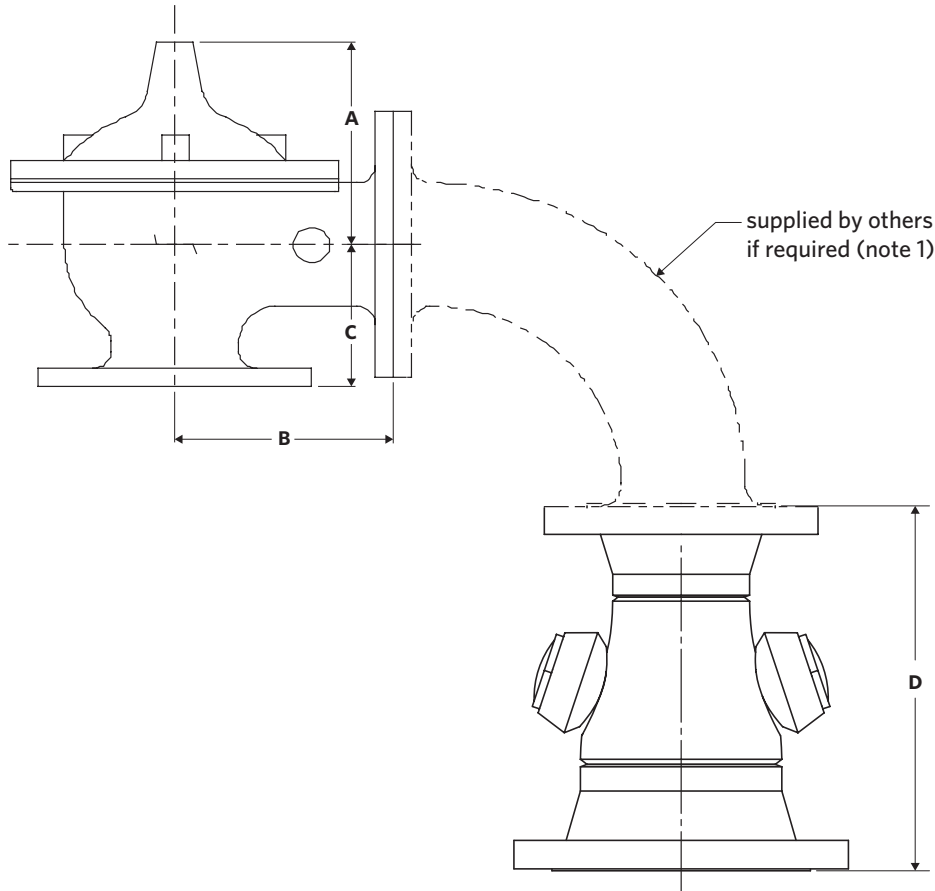
Engineer: _____ Submitted by: _____ Date: _____

Contractor: _____ Approved by: _____ Date: _____

NOTE: As per NFPA20, 2013 section 6.3.2 (4)



MAIN RELIEF VALVE



ENCLOSED CONE

ENCLOSED WASTE CONE

NOTE:

1 Cone can be installed directly on the Main Relief Valve NFPA20, 2013 edition section 4.18.5.1

90° MAIN RELIEF VALVE 150#

PART NUMBER	SIZE	MAX PUMP RATING*	A	B	C
	inch (mm)	Usgpm (L/s)	inch (mm)		
D975050-009	3.00 (76)	500 (32)	12.50 (318)	6.00 (152)	4.00 (102)
D975050-010	4.00 (102)	1000 (63)	13.00 (330)	7.50 (191)	5.00 (127)
D975050-012	6.00 (152)	2500 (158)	14.31 (363)	10.00 (254)	6.00 (152)
D975050-013	8.00 (203)	5000 (315)	16.31 (414)	12.80 (324)	8.00 (203)

90° MAIN RELIEF VALVE 300#

PART NUMBER	SIZE	MAX PUMP RATING*	A	B	C
	inch (mm)	Usgpm (L/s)	inch (mm)		
D975050-209	3.00 (76)	500 (32)	12.50 (318)	6.40 (162)	4.40 (111)
D975050-210	4.00 (102)	1000 (63)	13.00 (330)	7.90 (200)	5.30 (135)
D975050-212	6.00 (152)	2500 (158)	14.31 (363)	10.50 (267)	6.50 (165)
D975050-213	8.00 (203)	5000 (315)	16.31 (414)	13.30 (337)	8.50 (216)

ENCLOSED WASTE CONE 150#

PART NUMBER	SIZE	MAX PUMP RATING*	D
	inch (mm)	Usgpm (L/s)	inch (mm)
D251681-049	2×2.5 (51×63)	150 (9.5)	8.75 (222)
D251681-056	2.5×4 (63×102)	300 (18.9)	9.75 (248)
D251681-063	3×6 (76×152)	500 (31.5)	11.75 (298)
D251681-064	4×6 (102×152)	750 (47.3)	12.00 (305)
D251681-066	4×8 (102×203)	1000 (63.09)	13.00 (330)
D251681-068	6×8 (152×203)	1500 (94.63)	13.50 (343)
D251681-071	6×10 (152×254)	2500 (157.7)	14.50 (368)
D251681-075	8×12 (203×305)	3500 (220.8)	16.50 (419)
D251681-078	8×14 (203×356)	5000 (315.4)	22.00 (559)

TORONTO
+1 416 755 2291

BUFFALO
+1 716 693 8813

BIRMINGHAM
+44 (0) 8444 145 145

MANCHESTER
+44 (0) 8444 145 145

BANGALORE
+91 (0) 80 4906 3555

SHANGHAI
+86 21 3756 6696

SÃO PAULO
+55 11 4781 5500

NOTE:

All dimensions are in inches (mm).
Main Relief Valves are only allowed where NFPA 20, 2013 section 4.18
* Maximum Pump Rating as per NFPA 20, 2013 table 4.26