

## PRESO ANNULAR TYPE FLOW METER SUBMITTAL

File No: F43.457  
 Date: FEBRUARY 19, 2016  
 Supersedes: F43.457  
 Date: MARCH 30, 2001

Job: \_\_\_\_\_ Representative: \_\_\_\_\_

Order No: \_\_\_\_\_ Date: \_\_\_\_\_

Engineer: \_\_\_\_\_ Submitted by: \_\_\_\_\_ Date: \_\_\_\_\_

Contractor: \_\_\_\_\_ Approved by: \_\_\_\_\_ Date: \_\_\_\_\_

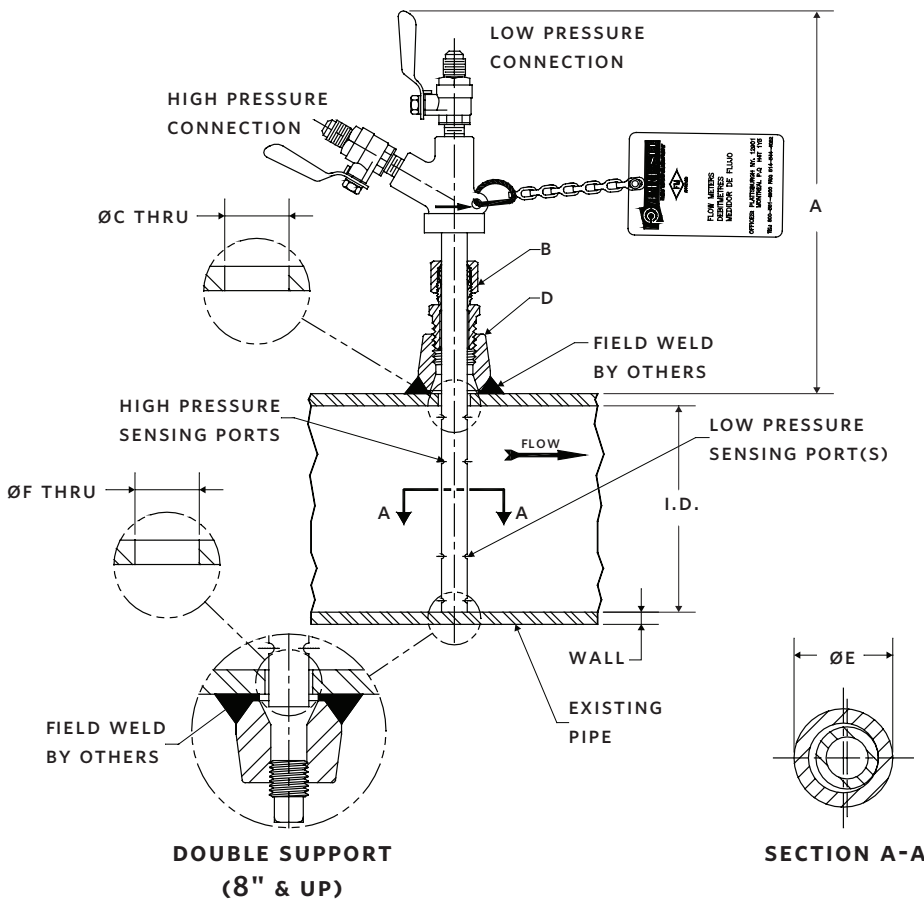


### CONSTRUCTION & SPECIFICATIONS

- Materials:** 316 ss sensor/Brass head
- Valves:** 1/4" MSAE flare brass ball
- Weld Fitting:** CS-A105, 3000#
- Flange option:** 2" TO 5" - Brass  
6" TO 12" - CS w/ss Ferrule
- Id tag:** Polycarbonate

### METER DATA

- Dial standard:** 4"
- Construction:** Brass body
- Operation:** Diaphragm (beryllium copper)
- Accuracy:** ±1.75% full scale
- Temperature:** 180°F (80°C)
- Pressure:** 500 PSIG (3450 kpa)
- Approx. Weight:** 3.75 lbs (1.7 kg)



2

| PIPE SIZE | FLOW<br>USGPM | METER RANGE<br>MIN & MAX GPM | DIMENSIONS |           |           |           |           |           | WEIGHT    |
|-----------|---------------|------------------------------|------------|-----------|-----------|-----------|-----------|-----------|-----------|
|           |               |                              | A          | B         | C         | D         | E         | F         |           |
| 2"        | 50            | 25-100                       | 8.10 (206) | 0.31 (8)  | 0.38 (10) | 0.25 (6)  | 0.31 (8)  | N/A       | 2.0 (0.9) |
| 2½"       | 100           | 50-200                       |            |           |           |           |           |           |           |
| 3"        | 150           | 75-300                       |            |           |           |           |           |           |           |
|           | 200           | 100-400                      |            |           |           |           |           |           |           |
| 3½"       | 250           | 125-500                      |            |           |           |           |           |           |           |
|           | 300           | 150-600                      |            |           |           |           |           |           |           |
| 4"        | 400           | 200-800                      | 8.50 (216) | 0.38 (10) | 0.44 (11) | 0.38 (10) | 0.38 (10) | N/A       | 2.5 (1.0) |
|           | 450           | 225-900                      |            |           |           |           |           |           |           |
|           | 500           | 250-1000                     |            |           |           |           |           |           |           |
| 5"        | 750           | 375-1500                     | 8.25 (210) | 0.38 (10) | 0.44 (11) | 0.38 (10) | 0.38 (10) | 0.437     | 3.0 (1.4) |
|           | 1000          | 500-2000                     |            |           |           |           |           |           |           |
| 6"        | 1250          | 625-2500                     | 9.25 (235) | 0.50 (13) | 0.62 (16) | 0.50 (13) | 0.50 (13) | 0.62 (16) | 3.0 (1.4) |
|           | 1500          | 750-3000                     |            |           |           |           |           |           |           |
| 8"        | 2000          | 1000-4000                    | 8.25 (210) | 0.38 (10) | 0.44 (11) | 0.38 (10) | 0.38 (10) | 0.437     | 3.0 (1.4) |
|           | 2500          | 1250-5000                    |            |           |           |           |           |           |           |
|           | 3000          | 1500-6000                    |            |           |           |           |           |           |           |
| 10"       | 3500          | 1750-7000                    | 9.25 (235) | 0.50 (13) | 0.62 (16) | 0.50 (13) | 0.50 (13) | 0.62 (16) | 3.0 (1.4) |
|           | 4000          | 2000-8000                    |            |           |           |           |           |           |           |
|           | 4500          | 2250-9000                    |            |           |           |           |           |           |           |
| 12"       | 5000          | 2500-10000                   | 9.25 (235) | 0.50 (13) | 0.62 (16) | 0.50 (13) | 0.50 (13) | 0.62 (16) | 3.0 (1.4) |

**NOTE:** Dimensions are in inches (mm)  
Weights are in lbs (kg)

## TORONTO

+1 416 755 2291

## BUFFALO

+1 716 693 8813

## BIRMINGHAM

+44 (0) 8444 145 145

## MANCHESTER

+44 (0) 8444 145 145

## BANGALORE

+91 (0) 80 4906 3555

## SHANGHAI

+86 21 3756 6696

## SÃO PAULO

+55 11 4781 5500