

GVI VENTURI TYPE FLOW METER | SUBMITTAL

File No: F43-459
Date: FEBRUARY 19, 2016
Supersedes: F43-459
Date: APRIL 15, 2001

Job: _____ Representative: _____

Order No: _____ Date: _____

Engineer: _____ Submitted by: _____ Date: _____

Contractor: _____ Approved by: _____ Date: _____

CONSTRUCTION & SPECIFICATIONS

Materials: Machined 1018/1026 carbon steel or cast carbon steel **wcb**

Valves: 1/4" brass ball

Flange option: 150# ANSI B 16.5
300# ANSI B 16.5

Id tag: Polycarbonate

METER DATA

Dial standard: 4"

Construction: Aluminum body

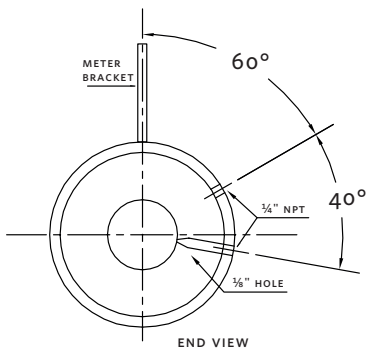
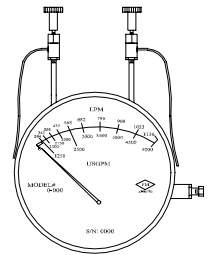
Operation: Diaphragm (BUNA convoluted)

Accuracy: +2% full scale

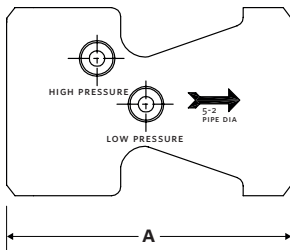
Temperature: 180°F (80°C)

Pressure: 500 PSIG (3450 kpa)

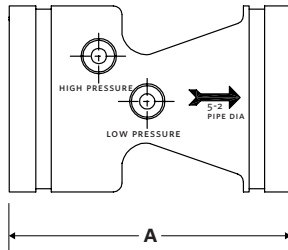
Approx. Weight: 3.75 lbs (1.7 kg)



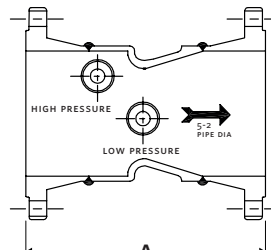
BUTT WELD/GROOVED



BUTT WELD



GROOVED



FLANGED

2

PIPE SIZE	FLOW USGPM	METER RANGE MIN & MAX GPM	BUTT WELD / GROOVED		150 # FLANGE		300# FLANGE	
			A	WEIGHTS	A	WEIGHTS	A	WEIGHTS
2"	50	25-100	5.00 (127)	3.5 (1.9)	—	—	—	—
2½"	100	50-200	4.00 (102)	5 (2.3)	9.30 (236)	21 (9.5)	10.00 (254)	28 (12.7)
3"	150	75-300	4.00 (102)	6 (2.7)	9.40 (239)	30 (13.6)	10.30 (262)	36 (16.3)
	200	100-400						
4"	250	125-500	5.40 (137)	10 (4.5)	11.40 (290)	40 (18.1)	12.10 (307)	60 (27.2)
	300	150-600						
	400	200-800						
	450	225-900						
5"	500	250-1000	6.00 (152)	20 (9.1)	13.00 (330)	58 (26.3)	13.70 (348)	84 (38.1)
	750	375-1500						
6"	1000	500-2000	7.00 (178)	22 (10.0)	14.00 (356)	70 (31.8)	14.80 (376)	106 (48.1)
	1250	625-2500						
8"	1500	750-3000	7.30 (185)	31 (14.1)	15.30 (389)	93 (42.2)	16.00 (406)	181 (82.1)
	2000	1000-4000						
	2500	1250-5000						
	3000	1500-6000						
10"	3500	1750-7000	8.00 (203)	45 (20.4)	16.00 (406)	149 (67.6)	17.30 (439.4)	227 (103.0)
	4000	2000-8000						
	4500	2250-9000						
12"	5000	2500-10000	12.00 (305)	78 (35.4)	21.00 (533)	238 (108.0)	22.30 (566.4)	358 (162.4)

NOTE: Dimensions are in inches (mm)
Weights are in lbs (kg)

TORONTO

+1 416 755 2291

BUFFALO

+1 716 693 8813

BIRMINGHAM

+44 (0) 8444 145 145

MANCHESTER

+44 (0) 8444 145 145

BANGALORE

+91 (0) 80 4906 3555

SHANGHAI

+86 21 3756 6696

SÃO PAULO

+55 11 4781 5500