

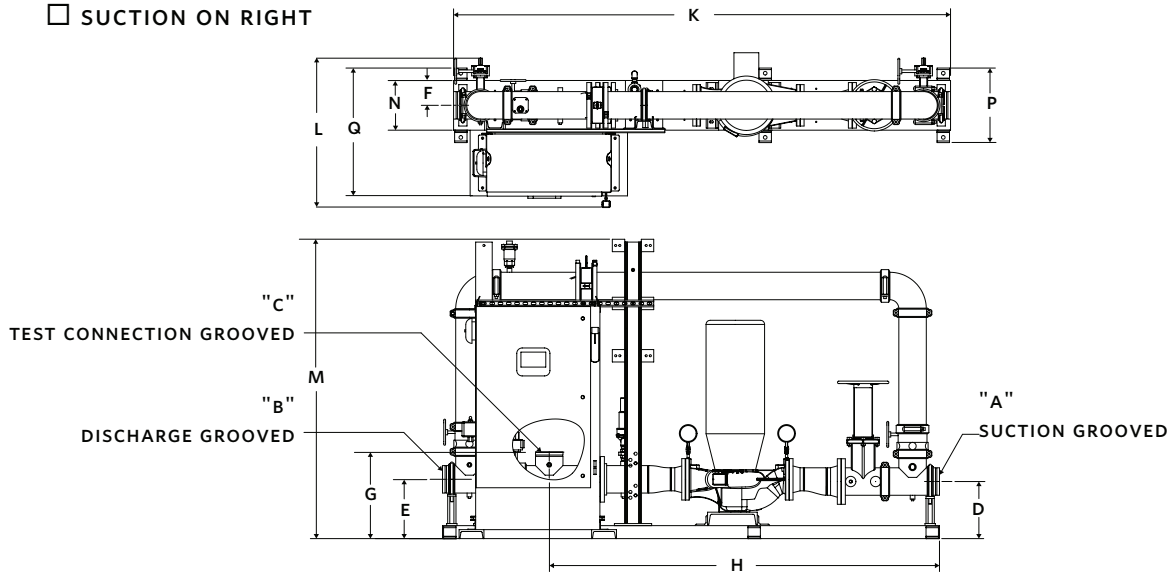
VERTICAL IN-LINE FIREPAK | BYPASS | SUBMITTAL

File No: F43.1052
Date: DECEMBER 30, 2021
Supersedes: F43.1052
Date: APRIL 10, 2019

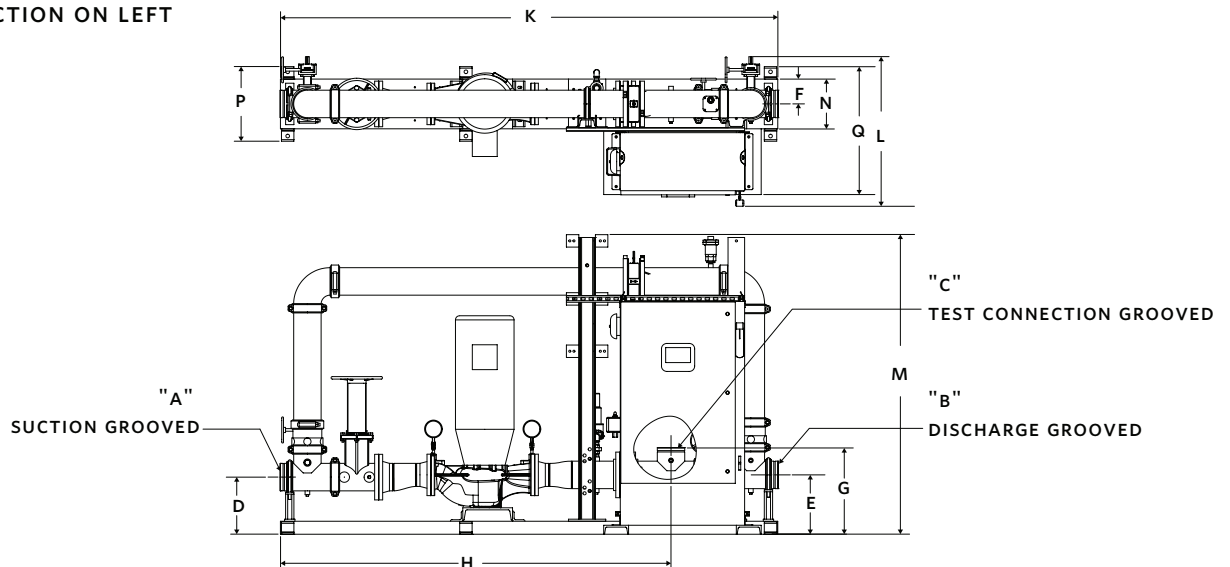
Job: _____ Representative: _____
 _____ Order no.: _____ Date: _____
 Engineer: _____ Submitted by: _____ Date: _____
 Contractor: _____ Approved by: _____ Date: _____

TAG/REF:									
PUMP DATA	FLOW	HEAD	MOTOR DATA	HP	RPM	VOLT	PH	HZ	ENCLOSURE

SUCTION ON RIGHT



SUCTION ON LEFT



Vertical In-line FirePak
ByPass

SUBMITTAL

2

PUMP DATA

FLOW (GPM)	PUMP MODEL	DIMENSIONS (INCHES)														MAX SHIPPING WEIGHT*(LBS)
		CONNECTION (GROOVED)								OVERALL DIMENSION (MAX)			BASE DIMENSION			
		A	B	C	D	E	F	G	H	K (length)	L (width)	M (height)	N	P	Q (MAX)	
50	2x1.5 LA-F	2.5	2.5	2.5	10.62	10.62	6.00	13.87	94.23	120.00	36.00	61.00	12.00	18.00	28.88	1133.00
	2x2x8 FM	2.5	2.5	2.5	11.47	11.47	6.00	14.72	94.23	120.00	36.00	61.00	12.00	18.00	30.88	1133.00
75	2x1.5 LA-F	2.5	2.5	2.5	10.37	10.62	6.00	14.37	94.23	120.00	36.00	61.00	12.00	18.00	28.88	1193.00
	2x2x8 FM	2.5	2.5	2.5	11.22	11.47	6.00	15.22	94.23	120.00	36.00	61.00	12.00	18.00	30.88	1193.00
100	2x1.5 LA-F	2.5	2.5	2.5	10.37	10.62	6.00	14.37	94.23	120.00	36.00	61.00	12.00	18.00	28.88	1193.00
	2x2x8 FM	2.5	2.5	2.5	11.22	11.47	6.00	15.22	94.23	120.00	36.00	61.00	12.00	18.00	30.88	1193.00
150	2x2x8 FM	3	3	3	10.91	11.47	6.00	15.72	94.23	120.00	36.00	61.00	12.00	18.00	30.88	1233.00
200	3x3x8 FM	3	3	3	12.69	12.69	6.00	16.94	94.23	120.00	36.00	61.00	12.00	18.00	30.88	1233.00
250	3x3x8 FM	4	4	4	12.19	12.69	6.00	17.69	94.23	120.00	41.00	72.50	12.00	18.00	30.88	1583.00
300	3x3x8 FM	4	4	4	12.19	12.69	6.00	17.69	94.23	120.00	41.00	72.50	12.00	18.00	30.88	1618.00
	4x3x9 PF	4	4	4	13.00	13.00	6.00	18.50	94.23	120.00	41.00	72.50	12.00	18.00	34.88	1618.00
400	4x3x9 PF	4	4	4	13.00	13.00	6.00	18.50	94.23	120.00	41.00	72.50	12.00	18.00	34.88	1618.00
	5x5x8 FM	4	4	4	14.84	14.31	6.00	19.31	94.23	120.00	41.00	72.50	12.00	18.00	34.88	1663.00
	6x4 LA-F	4	4	4	14.81	13.75	6.00	18.75	94.23	120.00	41.00	72.50	12.00	18.00	34.88	1608.00
450	4x3x9 PF	6	6	6	11.94	13.00	6.00	19.50	91.72	120.00	41.00	72.50	12.00	18.00	34.88	1813.00
	5x5x8 FM	6	6	4	13.78	14.31	6.00	20.81	94.23	120.00	41.00	72.50	12.00	18.00	30.88	1868.00
	6x4 LA-F	6	6	4	13.75	13.75	6.00	20.25	94.23	120.00	41.00	72.50	12.00	18.00	34.88	1813.00
500	4x3x9 PF	6	6	6	11.94	13.00	6.00	19.50	91.72	120.00	41.00	72.50	12.00	18.00	34.88	1873.00
	5x5x8 FM	6	6	6	13.78	14.31	6.00	20.81	94.23	120.00	41.00	72.50	12.00	18.00	30.88	1963.00
	6x4 LA-F	6	6	6	13.75	13.75	6.00	20.25	94.23	120.00	41.00	72.50	12.00	18.00	34.88	1873.00
750	6x4 LB-F	6	6	6	15.13	15.13	6.00	21.63	94.23	120.00	41.00	72.50	12.00	18.00	34.88	1873.00
	6x5 LY-F	6	6	6	16.63	16.63	6.00	23.13	94.23	120.00	41.00	72.50	12.00	18.00	30.88	1958.00
1,000	8x8x13 FM	8	8	6	17.19	17.19	7.50	24.94	123.33	156.00	46.00	84.00	15.00	21.00	37.88	3483.00
	8x8x15 FM	8	8	6	19.59	19.59	7.50	27.34	123.33	156.00	46.00	84.00	15.00	21.00	37.88	3483.00
	8x8x16 FM	8	8	6	19.59	19.59	7.50	27.34	123.33	156.00	46.00	84.00	15.00	21.00	37.88	3483.00
1,250	8x8x15 FM	8	8	8	19.59	19.59	7.50	27.34	123.33	156.00	46.00	84.00	15.00	21.00	37.88	3483.00
	8x8x16 FM	8	8	8	19.59	19.59	7.50	27.34	123.33	156.00	46.00	84.00	15.00	21.00	37.88	3483.00
1,500	8x8x15 FM	8	8	8	19.59	19.59	7.50	27.34	123.33	156.00	46.00	84.00	15.00	21.00	37.88	3483.00
	8x8x16 FM	8	8	8	19.59	19.59	7.50	27.34	123.33	156.00	46.00	84.00	15.00	21.00	37.88	3483.00

TORONTO
+1 416 755 2291

BUFFALO
+1 716 693 8813

DROITWICH SPA
+44 8444 145 145

MANCHESTER
+44 8444 145 145

BANGALORE
+91 80 4906 3555

SHANGHAI
+86 21 5237 0909

SÃO PAULO
+55 11 4785 1330

LYON
+33 4 26 83 78 74

DUBAI
+971 4 887 6775

MANNHEIM
+49 621 3999 9858

JIMBOLIA
+40 256 360 030

NOTE:
* Max Shipping Weight does not include Fire Pump, Jockey Pump, or Controller weights