

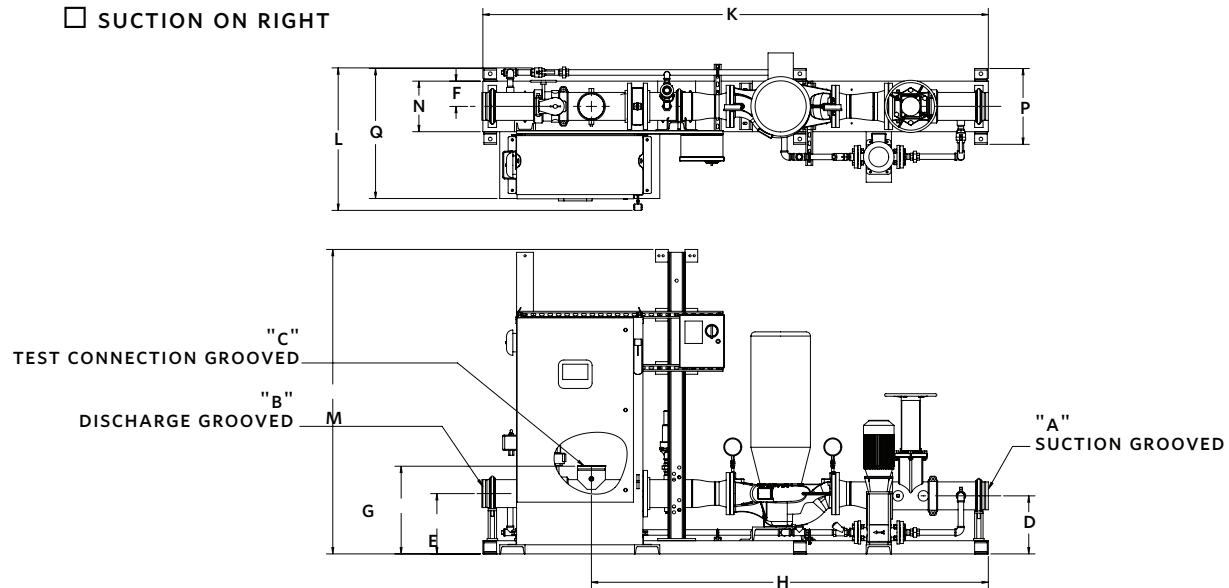
## VERTICAL IN-LINE FIREPAK | STANDARD AND JOCKEY PUMP | SUBMITTAL

File No: F43.1055  
Date: MARCH 01, 2022  
Supersedes: F43.1055  
Date: DECEMBER 30, 2021

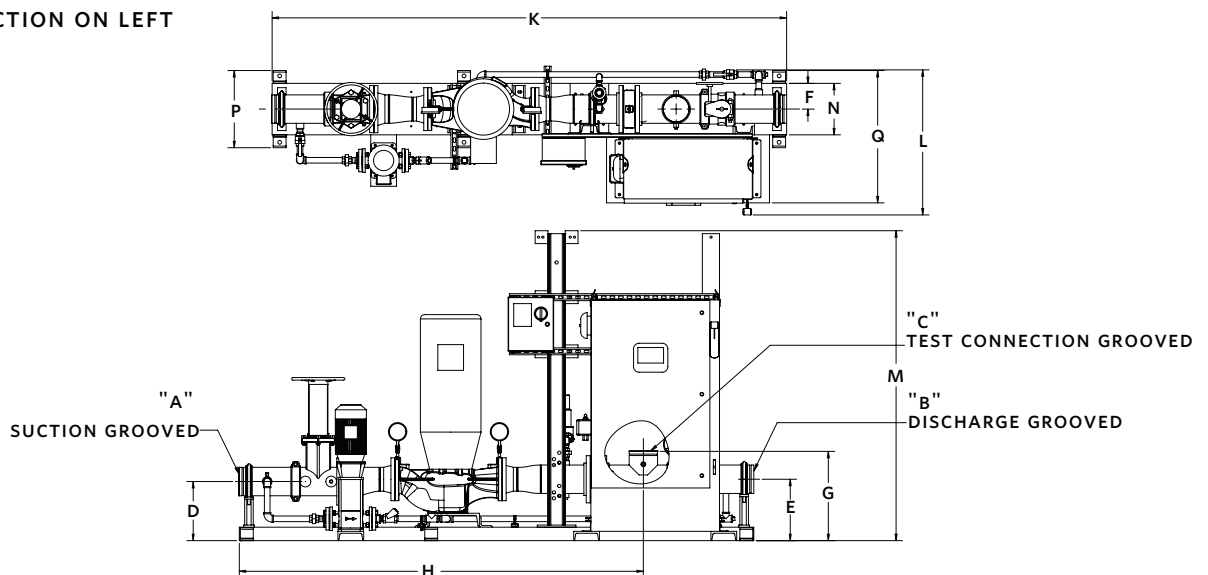
Job: \_\_\_\_\_ Representative: \_\_\_\_\_  
Order no.: \_\_\_\_\_ Date: \_\_\_\_\_  
Engineer: \_\_\_\_\_ Submitted by: \_\_\_\_\_ Date: \_\_\_\_\_  
Contractor: \_\_\_\_\_ Approved by: \_\_\_\_\_ Date: \_\_\_\_\_

TAG/REF:									
PUMP DATA	FLOW	HEAD	MOTOR DATA	HP	RPM	VOLT	PH	HZ	ENCLOSURE

SUCTION ON RIGHT



SUCTION ON LEFT



**PUMP DATA**

FLOW (GPM)	PUMP MODEL	DIMENSIONS (INCHES)															MAX SHIPPING WEIGHT* (LBS)
		CONNECTION (GROOVED)								OVERALL DIMENSION (MAX)			BASE DIMENSION				
		A	B	C	D	E	F	G	H	κ (length)	L (width)	M (height)	N	P	Q (MAX)		
50	2×1.5 LA-F	2.5	2.5	2.5	10.62	10.62	6.00	13.87	94.23	120.00	36.00	61.00	12.00	18.00	28.88	1165.00	
	2×2×8 FM	2.5	2.5	2.5	11.47	11.47	6.00	14.72	94.23	120.00	36.00	61.00	12.00	18.00	30.88	1165.00	
75	2×1.5 LA-F	2.5	2.5	2.5	10.37	10.62	6.00	14.37	94.23	120.00	36.00	61.00	12.00	18.00	28.88	1205.00	
	2×2×8 FM	2.5	2.5	2.5	11.22	11.47	6.00	15.22	94.23	120.00	36.00	61.00	12.00	18.00	30.88	1205.00	
100	2×1.5 LA-F	2.5	2.5	2.5	10.37	10.62	6.00	14.37	94.23	120.00	36.00	61.00	12.00	18.00	28.88	1205.00	
	2×2×8 FM	2.5	2.5	2.5	11.22	11.47	6.00	15.22	94.23	120.00	36.00	61.00	12.00	18.00	30.88	1205.00	
150	2×2×8 FM	3	3	3	10.91	11.47	6.00	15.72	94.23	120.00	36.00	61.00	12.00	18.00	30.88	1225.00	
200	3×3×8 FM	3	3	3	12.69	12.69	6.00	16.94	94.23	120.00	36.00	61.00	12.00	18.00	30.88	1225.00	
250	3×3×8 FM	4	4	4	12.19	12.69	6.00	17.69	94.23	120.00	41.00	76.31	12.00	18.00	30.88	1390.00	
300	3×3×8 FM	4	4	4	12.19	12.69	6.00	17.69	94.23	120.00	41.00	76.31	12.00	18.00	30.88	1425.00	
	4×3×9 PF	4	4	4	13.00	13.00	6.00	18.50	94.23	120.00	41.00	72.50	12.00	18.00	34.88	1425.00	
400	4×3×9 PF	4	4	4	13.00	13.00	6.00	18.50	94.23	120.00	41.00	72.50	12.00	18.00	34.88	1425.00	
	5×5×8 FM	4	4	4	14.84	14.31	6.00	19.31	94.23	120.00	41.00	76.31	12.00	18.00	34.88	1470.00	
	6×4 LA-F	4	4	4	14.81	13.75	6.00	18.75	94.23	120.00	41.00	76.31	12.00	18.00	34.88	1415.00	
450	4×3×9 PF	6	6	6	11.94	13.00	6.00	19.50	91.72	120.00	41.00	72.50	12.00	18.00	34.88	1440.00	
	5×5×8 FM	6	6	4	13.78	14.31	6.00	20.81	94.23	120.00	41.00	76.31	12.00	18.00	30.88	1495.00	
	6×4 LA-F	6	6	4	13.75	13.75	6.00	20.25	94.23	120.00	41.00	76.31	12.00	18.00	34.88	1440.00	
500	4×3×9 PF	6	6	6	11.94	13.00	6.00	19.50	91.72	120.00	41.00	72.50	12.00	18.00	34.88	1500.00	
	5×5×8 FM	6	6	6	13.78	14.31	6.00	20.81	94.23	120.00	41.00	76.31	12.00	18.00	30.88	1590.00	
	6×4 LA-F	6	6	6	13.75	13.75	6.00	20.25	94.23	120.00	41.00	76.31	12.00	18.00	34.88	1500.00	
750	6×4 LB-F	6	6	6	15.13	15.13	6.00	21.63	94.23	120.00	41.00	76.31	12.00	18.00	34.88	1500.00	
	6×5 LY-F	6	6	6	16.63	16.63	6.00	23.13	94.23	120.00	41.00	76.31	12.00	18.00	30.88	1535.00	
1,000	8×8×13 FM	8	8	6	17.19	17.19	7.50	24.94	123.33	156.00	46.00	84.00	15.00	21.00	37.88	2410.00	
	8×8×15 FM	8	8	6	19.59	19.59	7.50	27.34	123.33	156.00	46.00	84.00	15.00	21.00	37.88	2410.00	
	8×8×16 FM	8	8	6	19.59	19.59	7.50	27.34	123.33	156.00	46.00	84.00	15.00	21.00	37.88	2410.00	
1,250	8×8×15 FM	8	8	8	19.59	19.59	7.50	27.34	123.33	156.00	46.00	84.00	15.00	21.00	37.88	2410.00	
	8×8×16 FM	8	8	8	19.59	19.59	7.50	27.34	123.33	156.00	46.00	84.00	15.00	21.00	37.88	2410.00	
1,500	8×8×15 FM	8	8	8	19.59	19.59	7.50	27.34	123.33	156.00	46.00	84.00	15.00	21.00	37.88	2410.00	
	8×8×16 FM	8	8	8	19.59	19.59	7.50	27.34	123.33	156.00	46.00	84.00	15.00	21.00	37.88	2410.00	

TORONTO  
+1 416 755 2291

BUFFALO  
+1 716 693 8813

DROITWICH SPA  
+44 8444 145 145

MANCHESTER  
+44 8444 145 145

BANGALORE  
+91 80 4906 3555

SHANGHAI  
+86 21 5237 0909

SÃO PAULO  
+55 11 4785 1330

LYON  
+33 4 26 83 78 74

DUBAI  
+971 4 887 6775

MANNHEIM  
+49 621 3999 9858

JIMBOLIA  
+40 256 360 030

**NOTE:**

\* Max Shipping Weight does not include Fire Pump, Jockey Pump, or Controller weights