

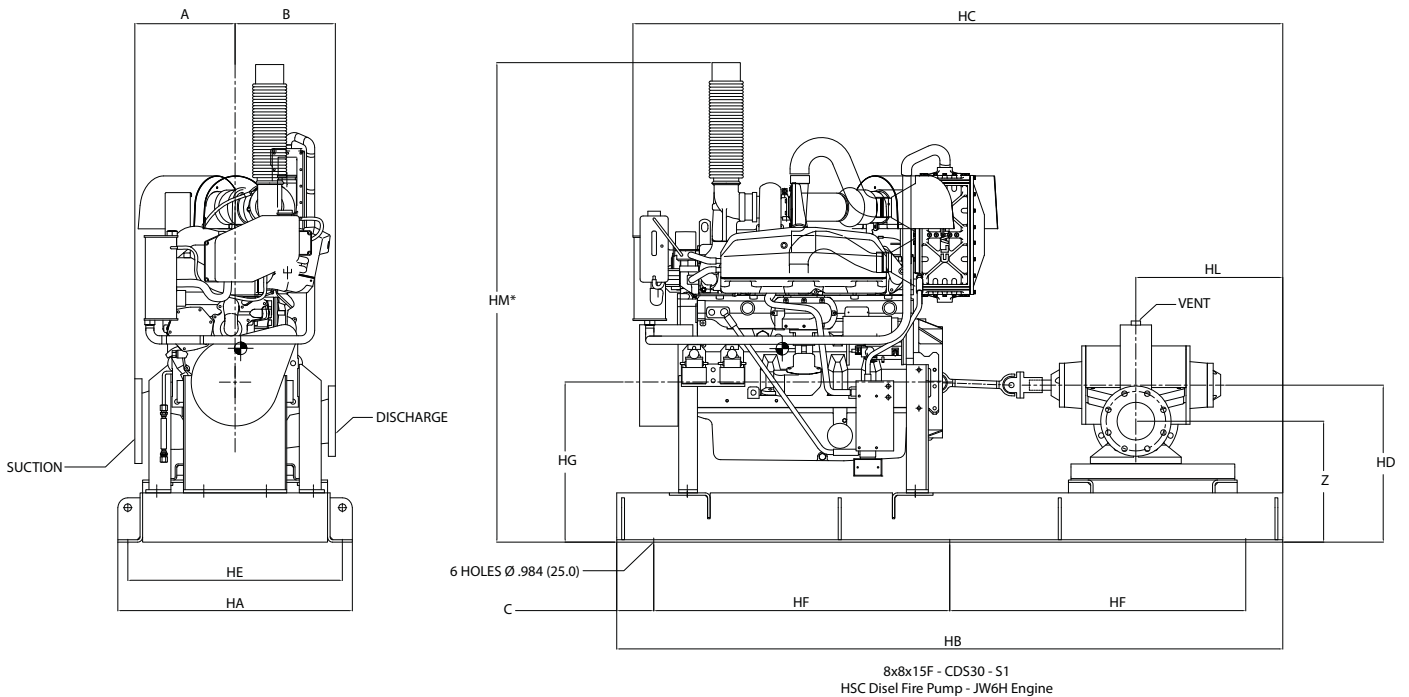
## Series 4600F HSC Pump Diesel Driven

# 10 x 8 x 11F

## SUBMITTAL

JOB: _____	REPRESENTATIVE: _____
ENGINEER: _____	ORDER NO: _____ DATE: _____
CONTRACTOR: _____	SUBMITTED BY: _____ DATE: _____
	APPROVED BY: _____ DATE: _____

TAG/REF:								
PUMP DATA	FLOW	HEAD	ENGINE DATA	HP	RPM	BAT. VOLTAGE	TANK SIZE	OTHER



Engine Model	DIMENSIONS (in.)												WEIGHT lbs.	
	A	B	C	HA	HB	HC	HD	HE	HF	HG	HL	HM		Z
JW6H(CDS30-S1)	16.0(406)	16.0(406)	5.90(150)	37.40(950)	106.30(2700)	103.70(2634)	25.10(636)	34.30(870)	47.20(1200)	25.60(649)	23.40(596)	76.50(1944)	20.60(522)	3450
JU6H(CDS20,30-S1)	16.001(406)	15.996(406)	9.06(230)	35.83(910)	106.30(2700)	98.60(2505)	21.40(543)	32.68(830)	44.09(1120)	21.89(556)	20.65(524)	67.70(1718)	16.90(429)	2996
JU4H(CDS30-S1)	16.0(406)	16.0(406)	4.70(120)	35.83(910)	90.60(2300)	86.30(2192)	21.40(543)	32.68(830)	40.60(1030)	21.89(556)	15.00(381)	66.90(1699)	16.90(429)	2179

- Note:**
- Std. Discharge flange thickness ANSI 250#
  - Coupling guard not shown
  - All dimensions for engine connections are with reference to Engine manufacturer's installation drawings
  - To be shipped loose with package

ACCESSORIES
EXHAUST SYSTEM (4)
FUEL SYSTEM (4)
COOLING SYSTEM (MOUNTED ON ENGINE)
BATTERY SYSTEM (4)

FLANG RATING
<input type="checkbox"/> ANSI 125# STD (1)
<input type="checkbox"/> ANSI 125# SUCTION
250# DISCHARGE
<input type="checkbox"/> ANSI 250# SUCTION
250# DISCHARGE
<input type="checkbox"/> PN 16

FIRE PUMP LISTING
<input type="checkbox"/> UL
<input type="checkbox"/> FM
<b>RIGHT HAND ROTATION ONLY</b> (AS SHOWN)

**S. A. Armstrong Limited**  
 23 Bertrand Avenue  
 Toronto, Ontario  
 Canada, M1L 2P3  
 T: 416 755 2291  
 F: 416 759 9101

**Armstrong Integrated Limited**  
 Wenlock Way  
 Manchester  
 United Kingdom, M12 5JL  
 T: +44 (0) 8444 145 145  
 F: +44 (0) 8444 145 146

**Armstrong Design Private Ltd.**  
 (Unit 1- Armstrong Manufacturing Center)  
 490-L, 4th Phase, Peenya Industrial Area,  
 Bangalore, India 560 058  
 T: +91 (80) 4906 3555  
 F: +91 (80) 2334 3535