



FILE NO: F46.52IN  
 DATE: July 02, 2012  
 SUPERSEDES: New  
 DATE: New

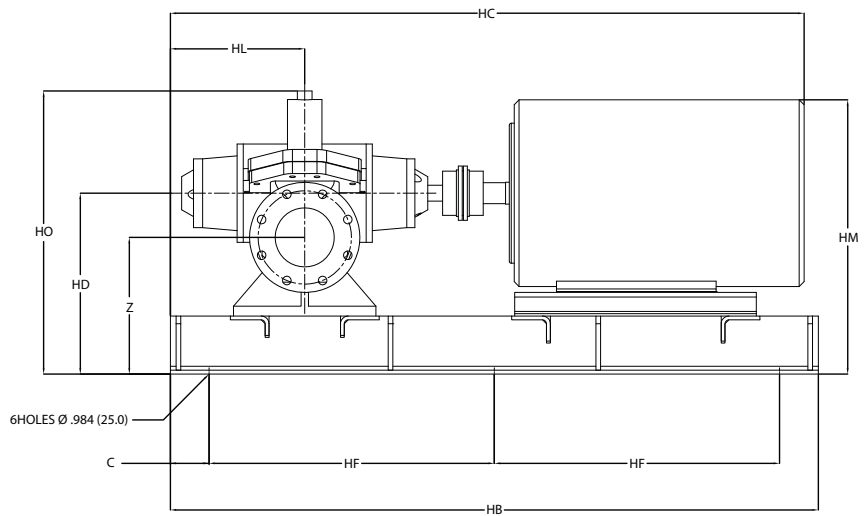
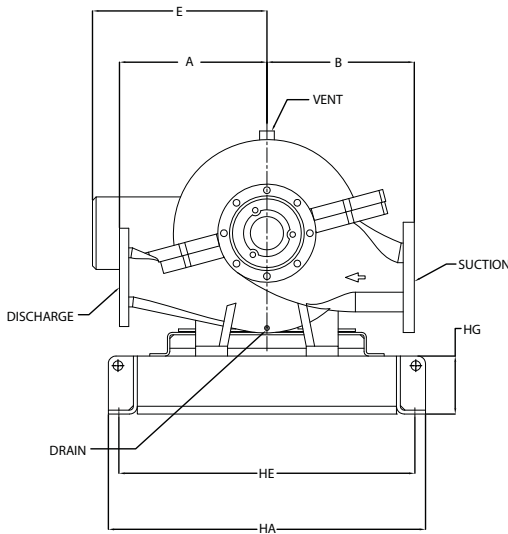
**Series 4600F HSC Pump**  
**Electric Driven**

**5 x 4 x 12HF**

**SUBMITTAL**

JOB: _____	REPRESENTATIVE: _____
ENGINEER: _____	ORDER NO: _____ DATE: _____
CONTRACTOR: _____	SUBMITTED BY: _____ DATE: _____
	APPROVED BY: _____ DATE: _____

TAG/REF:										DWG#
PUMP DATA	FLOW	HEAD	MOTOR DATA	HP	RPM	VOLT	PH	Hz	ENCLOSURE	
SPECIAL STARTING:										



MOTOR FRAME	DIMENSIONS (in.)															WEIGHT lbs.
	A	B	C	E	HA	HB	HC	HD	HE	HF	HG	HL	HM	HO	Z	
256T	12.00(305)	12.00(305)	3.94(100)	11.06(281)	30.12(765)	55.12(1400)	52.90(1344)	14.94(379)	27.95(710)	23.62(600)	3.94(100)	11.91(302)	20.94(532)	22.71(577)	10.44(265)	1040
284TS	13.00(330)	13.00(330)	3.94(100)	11.63(295)	30.12(765)	55.12(1400)	54.40(1382)	14.94(379)	27.95(710)	23.62(600)	3.94(100)	11.91(302)	21.69(551)	22.88(581)	10.44(265)	1069
286TS	13.00(330)	13.00(330)	3.94(100)	11.63(295)	30.12(765)	55.12(1400)	54.40(1382)	14.94(379)	27.95(710)	23.62(600)	3.94(100)	11.91(302)	21.69(551)	22.88(581)	10.44(265)	1119

**Note:** Std. Discharge flange thickness ANSI 250#  
 Coupling guard not shown

TO BE INDICATED BY CUSTOMER
SUCTION SIDE (VIEWED FROM DRIVER END)
<input type="checkbox"/> RIGHT HAND (SHOWN) <input type="checkbox"/> LEFT HAND

FIRE PUMP LISTING
<input type="checkbox"/> UL
<input type="checkbox"/> FM

FLANG RATING	
<input type="checkbox"/> ANSI	125# STD (1)
<input type="checkbox"/> ANSI	125# SUCTION
	250# DISCHARGE
<input type="checkbox"/> ANSI	250# SUCTION
	250# DISCHARGE
<input type="checkbox"/> PN 16	

**S. A. Armstrong Limited**  
 23 Bertrand Avenue  
 Toronto, Ontario  
 Canada, M1L 2P3  
 T: 416 755 2291  
 F: 416 759 9101

**Armstrong Integrated Limited**  
 Wenlock Way  
 Manchester  
 United Kingdom, M12 5JL  
 T: +44 (0) 8444 145 145  
 F: +44 (0) 8444 145 146

**Armstrong Design Private Ltd.**  
 (Unit 1- Armstrong Manufacturing Center)  
 490-L, 4th Phase, Peenya Industrial Area,  
 Bangalore, India 560 058  
 T: +91 (80) 4906 3555  
 F: +91 (80) 2334 3535

© S.A. Armstrong Limited 2012