



FILE NO: F46.55IN  
 DATE: July 02, 2012  
 SUPERSEDES: New  
 DATE: New

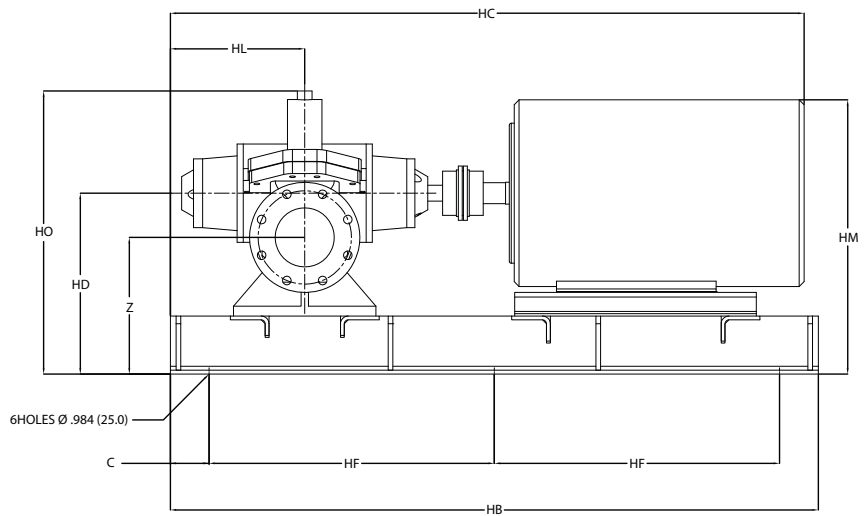
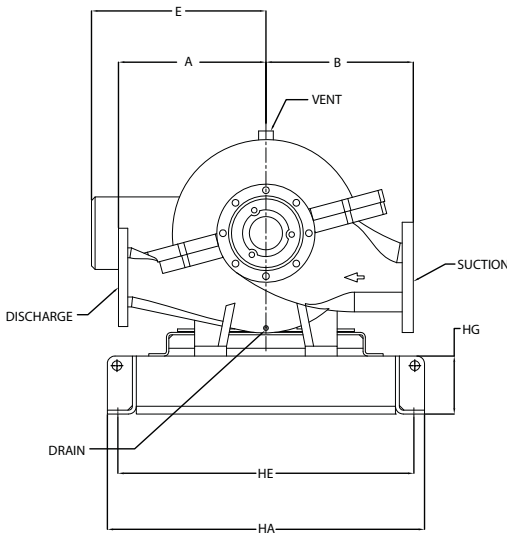
**Series 4600F HSC Pump**  
**Electric Driven**

**6 x 5 x 15F**

**SUBMITTAL**

JOB: _____	REPRESENTATIVE: _____
ENGINEER: _____	ORDER NO: _____ DATE: _____
CONTRACTOR: _____	SUBMITTED BY: _____ DATE: _____
	APPROVED BY: _____ DATE: _____

TAG/REF:										DWG#
PUMP DATA	FLOW	HEAD	MOTOR DATA	HP	RPM	VOLT	PH	Hz	ENCLOSURE	
SPECIAL STARTING:										



MOTOR FRAME	DIMENSIONS (in.)															WEIGHT lbs.
	A	B	C	E	HA	HB	HC	HD	HE	HF	HG	HL	HM	HO	Z	
324TS	15.0(381)	15.0(381)	3.94(100)	15.50(394)	32.28(820)	65.94(1675)	58.93(1497)	18.41(468)	30.12(765)	29.04(738)	5.91(150)	13.68(347)	26.16(664)	28.81(732)	13.91(353)	1442
326TS	15.0(381)	15.0(381)	3.94(100)	15.50(394)	32.28(820)	65.94(1675)	58.93(1497)	18.41(468)	30.12(765)	29.04(738)	5.91(150)	13.68(347)	26.16(664)	28.81(732)	13.91(353)	1502
364TS	15.0(381)	15.0(381)	3.94(100)	16.38(416)	32.28(820)	65.94(1675)	60.31(1532)	18.41(468)	30.12(765)	29.04(738)	5.91(150)	13.68(347)	26.16(664)	28.81(732)	13.91(353)	1812
365TS	15.0(381)	15.0(381)	3.94(100)	16.38(416)	32.28(820)	65.94(1675)	60.31(1532)	18.41(468)	30.12(765)	29.04(738)	5.91(150)	13.68(347)	26.91(683)	28.81(732)	13.91(353)	1862
404TS	15.0(381)	15.0(381)	3.94(100)	17.75(451)	32.28(820)	65.94(1675)	64.50(1638)	18.41(468)	30.12(765)	29.04(738)	5.91(150)	13.68(347)	27.91(709)	28.81(732)	13.91(353)	2115
405TS	15.0(381)	15.0(381)	3.94(100)	17.75(451)	32.28(820)	65.94(1675)	64.50(1638)	18.41(468)	30.12(765)	29.04(738)	5.91(150)	13.68(347)	27.91(709)	28.81(732)	13.91(353)	2205
444TS	15.0(381)	15.0(381)	3.94(100)	19.65(499)	37.40(950)	82.68(2100)	75.26(1912)	20.37(518)	34.25(870)	37.40(950)	7.87(200)	13.68(347)	30.87(784)	30.77(782)	15.87(403)	2665
445TS	15.0(381)	15.0(381)	3.94(100)	19.65(499)	37.40(950)	82.68(2100)	75.26(1912)	20.37(518)	34.25(870)	37.40(950)	7.87(200)	13.68(347)	30.87(784)	30.77(782)	15.87(403)	2865
447TS	15.0(381)	15.0(381)	3.94(100)	24.81(630)	37.40(950)	82.68(2100)	85.00(2159)	20.37(518)	34.25(870)	37.40(950)	7.87(200)	13.68(347)	30.87(784)	30.77(782)	15.87(403)	3110
449TS	15.0(381)	15.0(381)	3.94(100)	24.81(630)	37.40(950)	82.68(2100)	85.00(2159)	20.37(518)	34.25(870)	37.40(950)	7.87(200)	13.68(347)	30.87(784)	30.77(782)	15.87(403)	3340

Note: Std. Discharge flange thickness ANSI 250#  
 Coupling guard not shown

FLANG RATING	
<input type="checkbox"/> ANSI	125# STD (1)
<input type="checkbox"/> ANSI	125# SUCTION
<input type="checkbox"/> ANSI	250# DISCHARGE
<input type="checkbox"/> ANSI	250# SUCTION
<input type="checkbox"/> ANSI	250# DISCHARGE
<input type="checkbox"/> PN 16	

TO BE INDICATED BY CUSTOMER	
SUCTION SIDE (VIEWED FROM DRIVER END)	
<input type="checkbox"/> RIGHT HAND (SHOWN)	<input type="checkbox"/> LEFT HAND

FIRE PUMP LISTING	
<input type="checkbox"/> UL	
<input type="checkbox"/> FM	

S. A. Armstrong Limited  
 23 Bertrand Avenue  
 Toronto, Ontario  
 Canada, M1L 2P3  
 T: 416 755 2291  
 F: 416 759 9101

Armstrong Integrated Limited  
 Wenlock Way  
 Manchester  
 United Kingdom, M12 5JL  
 T: +44 (0) 8444 145 145  
 F: +44 (0) 8444 145 146

Armstrong Design Private Ltd.  
 (Unit 1- Armstrong Manufacturing Center)  
 490-L, 4th Phase, Peenya Industrial Area,  
 Bangalore, India 560 058  
 T: +91 (80) 4906 3555  
 F: +91 (80) 2334 3535

© S.A. Armstrong Limited 2012