



FILE NO: F46.57IN
 DATE: July 02, 2012
 SUPERSEDES: New
 DATE: New

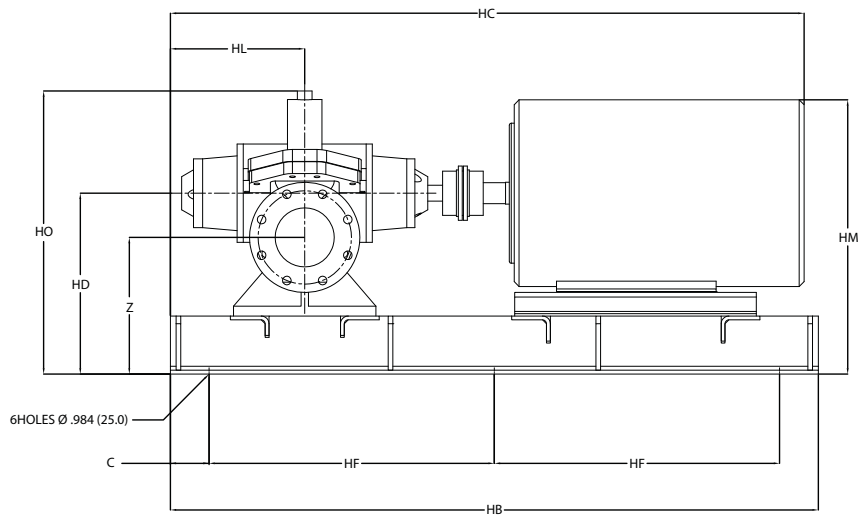
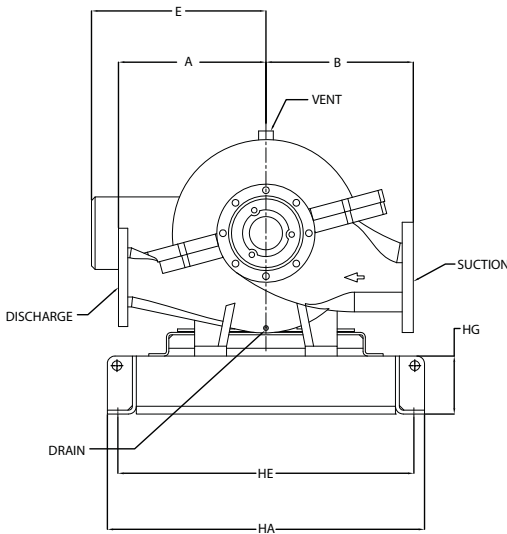
Series 4600F HSC Pump
Electric Driven

8 x 6 x 12.5F

SUBMITTAL

JOB: _____	REPRESENTATIVE: _____
ENGINEER: _____	ORDER NO: _____ DATE: _____
CONTRACTOR: _____	SUBMITTED BY: _____ DATE: _____
	APPROVED BY: _____ DATE: _____

TAG/REF:										DWG#
PUMP DATA	FLOW	HEAD	MOTOR DATA	HP	RPM	VOLT	PH	Hz	ENCLOSURE	
SPECIAL STARTING:										



MOTOR FRAME	DIMENSIONS (in.)															WEIGHT lbs.
	A	B	C	E	HA	HB	HC	HD	HE	HF	HG	HL	HM	HO	Z	
324TS	15.0(381)	15.0(381)	3.94(100)	15.50(394)	32.28(820)	65.94(1675)	59.93(1522)	18.41(468)	30.12(765)	29.04(738)	5.91(150)	13.68(347)	26.16(664)	27.33(694)	12.66(321)	1517
326TS	15.0(381)	15.0(381)	3.94(100)	15.50(394)	32.28(820)	65.94(1675)	59.93(1522)	18.41(468)	30.12(765)	29.04(738)	5.91(150)	13.68(347)	26.16(664)	27.33(694)	12.66(321)	1577
364TS	15.0(381)	15.0(381)	3.94(100)	16.38(416)	32.28(820)	65.94(1675)	61.31(1557)	18.41(468)	30.12(765)	29.04(738)	5.91(150)	13.68(347)	26.91(683)	27.33(694)	12.66(321)	1887
365TS	15.0(381)	15.0(381)	3.94(100)	16.38(416)	32.28(820)	65.94(1675)	61.31(1557)	18.41(468)	30.12(765)	29.04(738)	5.91(150)	13.68(347)	26.91(683)	27.33(694)	12.66(321)	1937
404TS	15.0(381)	15.0(381)	3.94(100)	17.75(451)	32.28(820)	65.94(1675)	65.50(1664)	18.41(468)	30.12(765)	29.04(738)	5.91(150)	13.68(347)	27.91(709)	27.33(694)	12.66(321)	2190
444TS	15.0(381)	15.0(381)	3.94(100)	19.65(499)	37.40(950)	82.68(2100)	76.26(1937)	20.37(518)	34.25(870)	37.40(950)	7.87(200)	13.68(347)	30.87(784)	29.29(744)	14.62(371)	2740
445TS	15.0(381)	15.0(381)	3.94(100)	19.65(499)	37.40(950)	82.68(2100)	76.26(1937)	20.37(518)	34.25(870)	37.40(950)	7.87(200)	13.68(347)	30.87(784)	29.29(744)	14.62(371)	2940
447TS	15.0(381)	15.0(381)	3.94(100)	24.81(630)	37.40(950)	82.68(2100)	86.00(2184)	20.37(518)	34.25(870)	37.40(950)	7.87(200)	13.68(347)	30.87(784)	29.29(744)	14.62(371)	3185

Note: Std. Discharge flange thickness ANSI 250#
 Coupling guard not shown

FLANG RATING	
<input type="checkbox"/> ANSI	125# STD (1)
<input type="checkbox"/> ANSI	125# SUCTION
<input type="checkbox"/> ANSI	250# DISCHARGE
<input type="checkbox"/> ANSI	250# SUCTION
<input type="checkbox"/> ANSI	250# DISCHARGE
<input type="checkbox"/> PN 16	

TO BE INDICATED BY CUSTOMER
SUCTION SIDE (VIEWED FROM DRIVER END)
<input type="checkbox"/> RIGHT HAND (SHOWN) <input type="checkbox"/> LEFT HAND

FIRE PUMP LISTING
<input type="checkbox"/> UL
<input type="checkbox"/> FM

S. A. Armstrong Limited
 23 Bertrand Avenue
 Toronto, Ontario
 Canada, M1L 2P3
 T: 416 755 2291
 F: 416 759 9101

Armstrong Integrated Limited
 Wenlock Way
 Manchester
 United Kingdom, M12 5JL
 T: +44 (0) 8444 145 145
 F: +44 (0) 8444 145 146

Armstrong Design Private Ltd.
 (Unit 1- Armstrong Manufacturing Center)
 490-L, 4th Phase, Peenya Industrial Area,
 Bangalore, India 560 058
 T: +91 (80) 4906 3555
 F: +91 (80) 2334 3535

© S.A. Armstrong Limited 2012