



FILE NO: F46.59IN
 DATE: July 02, 2012
 SUPERSEDES: New
 DATE: New

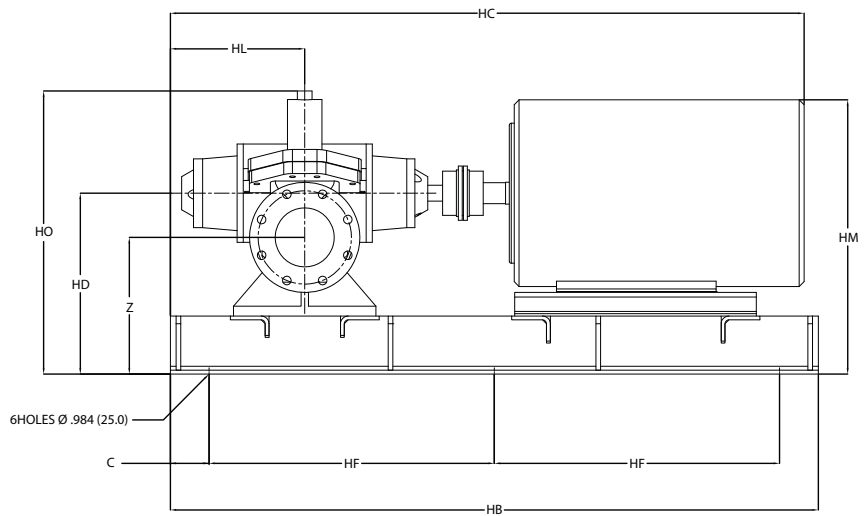
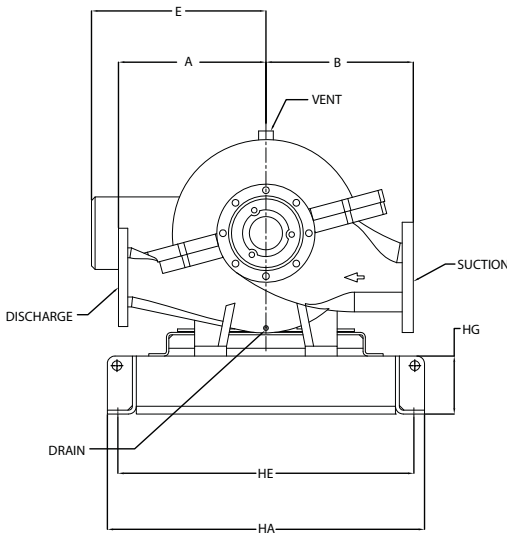
Series 4600F HSC Pump
Electric Driven

10 x 8 x 11F

SUBMITTAL

JOB: _____	REPRESENTATIVE: _____
ENGINEER: _____	ORDER NO: _____ DATE: _____
CONTRACTOR: _____	SUBMITTED BY: _____ DATE: _____
	APPROVED BY: _____ DATE: _____

TAG/REF:										DWG#
PUMP DATA	FLOW	HEAD	MOTOR DATA	HP	RPM	VOLT	PH	Hz	ENCLOSURE	
SPECIAL STARTING:										



MOTOR FRAME	DIMENSIONS (in.)															WEIGHT lbs.
	A	B	C	E	HA	HB	HC	HD	HE	HF	HG	HL	HM	HO	Z	
364TS	16.00(406)	16.00(406)	3.94(100)	16.38(416)	32.28(820)	65.94(1675)	61.31(1557)	18.41(468)	30.12(765)	29.04(738)	5.91(150)	13.68(347)	26.91(683)	26.81(681)	13.91(353)	1987
365TS	16.00(406)	16.00(406)	3.94(100)	16.38(416)	32.28(820)	65.94(1675)	61.31(1557)	18.41(468)	30.12(765)	29.04(738)	5.91(150)	13.68(347)	26.91(683)	26.81(681)	13.91(353)	2037
404TS	16.00(406)	16.00(406)	3.94(100)	17.75(451)	32.28(820)	65.94(1675)	65.50(1664)	18.41(468)	30.12(765)	29.04(738)	5.91(150)	13.68(347)	27.91(709)	26.81(681)	13.91(353)	2290
405TS	16.00(406)	16.00(406)	3.94(100)	17.75(451)	32.28(820)	65.94(1675)	65.50(1664)	18.41(468)	30.12(765)	29.04(738)	5.91(150)	13.68(347)	27.91(709)	26.81(681)	13.91(353)	2380
444TS	16.00(406)	16.00(406)	3.94(100)	19.65(499)	37.40(950)	82.68(2100)	76.26(1937)	20.37(518)	34.25(870)	37.40(950)	7.87(200)	13.68(347)	30.87(784)	28.77(731)	15.87(403)	2840
445TS	16.00(406)	16.00(406)	3.94(100)	19.65(499)	37.40(950)	82.68(2100)	76.26(1937)	20.37(518)	34.25(870)	37.40(950)	7.87(200)	13.68(347)	30.87(784)	28.77(731)	15.87(403)	3040
447TS	16.00(406)	16.00(406)	3.94(100)	24.81(630)	37.40(950)	82.68(2100)	86.00(2184)	20.37(518)	34.25(870)	37.40(950)	7.87(200)	13.68(347)	30.87(784)	28.77(731)	15.87(403)	3285

Note: Std. Discharge flange thickness ANSI 250#
 Coupling guard not shown

FLANG RATING	
<input type="checkbox"/> ANSI	125# STD (1)
<input type="checkbox"/> ANSI	125# SUCTION
<input type="checkbox"/> ANSI	250# DISCHARGE
<input type="checkbox"/> ANSI	250# SUCTION
<input type="checkbox"/> ANSI	250# DISCHARGE
<input type="checkbox"/> PN 16	

TO BE INDICATED BY CUSTOMER
SUCTION SIDE (VIEWED FROM DRIVER END)
<input type="checkbox"/> RIGHT HAND (SHOWN) <input type="checkbox"/> LEFT HAND

FIRE PUMP LISTING
<input type="checkbox"/> UL
<input type="checkbox"/> FM

S. A. Armstrong Limited
 23 Bertrand Avenue
 Toronto, Ontario
 Canada, M1L 2P3
 T: 416 755 2291
 F: 416 759 9101

Armstrong Integrated Limited
 Wenlock Way
 Manchester
 United Kingdom, M12 5JL
 T: +44 (0) 8444 145 145
 F: +44 (0) 8444 145 146

Armstrong Design Private Ltd.
 (Unit 1- Armstrong Manufacturing Center)
 490-L, 4th Phase, Peenya Industrial Area,
 Bangalore, India 560 058
 T: +91 (80) 4906 3555
 F: +91 (80) 2334 3535

© S.A. Armstrong Limited 2012