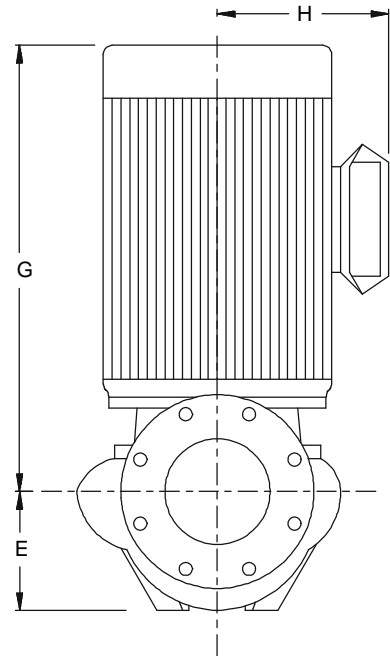
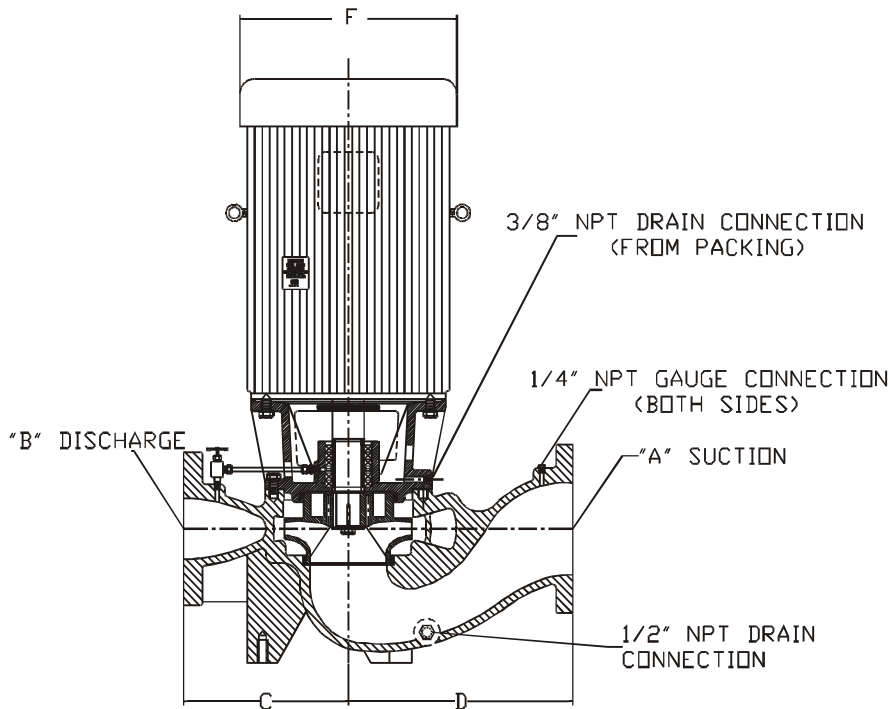


ARMSTRONG®

VIL FIRE PUMP 50 HERTZ 4 x 3LA-F

FILE N°:	F43.105b
Date:	March 10, 2001
SUPERSEDES:	NEW
Date:	NEW

SUBMITTAL



RATED

Base For FM Requirement
NOT SHOWN

FLANGE RATING

- ANSI 125# STD
- ANSI 125# SUCTION
250# DISCHARGE

PUMP DATA

PUMP MODEL	DIMENSIONS (ins.)					WT. LBS
	A	B	C	D	E	
4" X 3" LA-F	4	3	10	12	6.375	198

UL LISTED MOTOR DATA

MOTOR FRAME	HP @ 3000 RPM	DIMENSIONS (ins.)			WT LBS
		F MAX	G MAX	H MAX	
184JP	5	9 1/2	19 1/16	5 1/4	86
215JP	7.5	11	21 1/4	7	136
215JP	10	11	22 3/4	7 1/2	158
254JP	15	12 1/2	25 1/16	9 1/4	204
256JP	20	12 1/2	26 15/16	9 1/4	235
284JP	25	14	27 1/8	10 1/4	279
286JP	30	14	29 1/16	14 1/4	326
324JP	40	16	29 1/16	13	424

DIMENSIONS ARE NOT TO BE USED FOR
CONSTRUCTION PURPOSES UNLESS CERTIFIED.
DATA SUBJECT TO CHANGE WITHOUT NOTICE.

PROJECT:

DATE:

ORDER No.:

DWG#:

DATE: 01-03-10

CERTIFIED BY:

A-1534-4x3

REVISED: