

VERTICAL IN-LINE FIRE PUMP | 6 x 5 LY-F | SUBMITTAL

File No: F43.103D
Date: AUGUST 10, 2016
Supersedes: F43.103F
Date: JULY 3, 2002

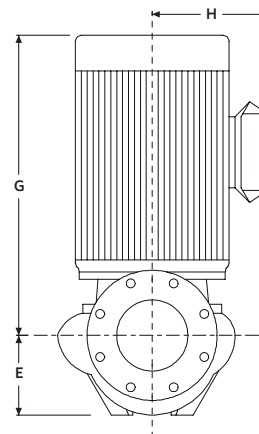
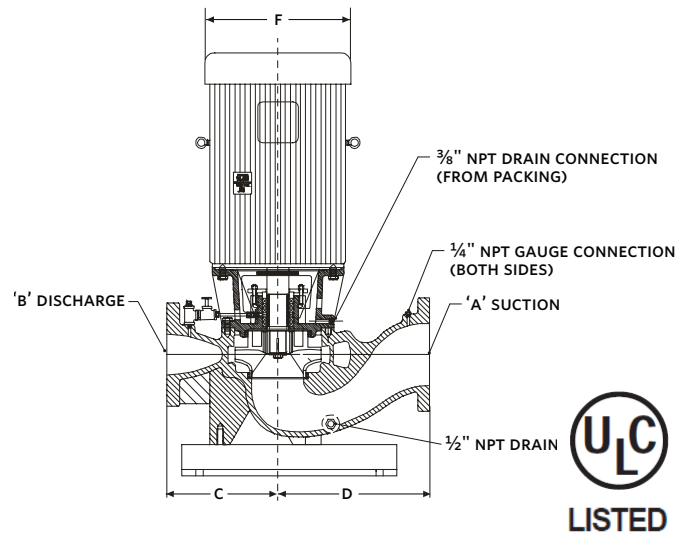
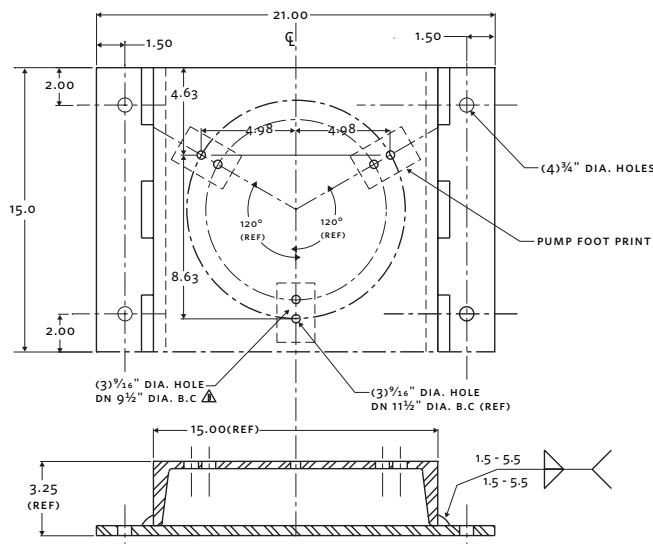
Job: _____ Representative: _____
 _____ Order no.: _____ Date: _____
 Engineer: _____ Submitted by: _____ Date: _____
 Contractor: _____ Approved by: _____ Date: _____

FIRE PUMP LISTING

- UL
- ULC
- FM
- Dimensions are not to be used for construction purposes unless certified.
- Data subject to change without notice.

FLANGE RATING

- ANSI 125# STD
 - ANSI 125# SUCTION
250# DISCHARGE
- 250# Flanged Shown**



SUBMITTAL
6x5LY-F

Vertical In-line fire pump
Series LAF

2

PUMP DATA

| PUMP | DIMENSIONS inches (mm) | | | | | WEIGHT |
|---------|------------------------|------------|-------------|-------------|-------------|-------------|
| MODEL | A | B | C | D | E | lbs (kgs) |
| 6x5LY-F | 6.00 (152) | 5.00 (127) | 14.00 (356) | 18.00 (457) | 10.25 (260) | 356 (161.5) |

UL LISTED MOTOR DATA

| MOTOR | DIMENSIONS inches (mm) | | | WEIGHT |
|-------|------------------------|-------------|-------------|-------------|
| FRAME | F MAX | G MAX | H MAX | lbs (kgs) |
| 284JP | 11.50 (292) | 31.31 (795) | 10.81 (275) | 326 (147.9) |
| 286JP | 11.50 (292) | 31.31 (795) | 10.81 (275) | 326 (147.9) |
| 324JP | 14.19 (360) | 32.69 (830) | 10.81 (275) | 424 (192.3) |
| 326JP | 14.19 (360) | 32.69 (830) | 10.81 (275) | 424 (192.3) |

TORONTO

+1 416 755 2291

BUFFALO

+1 716 693 8813

BIRMINGHAM

+44 (0) 8444 145 145

MANCHESTER

+44 (0) 8444 145 145

BANGALORE

+91 (0) 80 4906 3555

SHANGHAI

+86 21 3756 6696

SÃO PAULO

+55 11 4781 5500

ARMSTRONG FLUID TECHNOLOGY
ESTABLISHED 1934

ARMSTRONGFLUIDTECHNOLOGY.COM