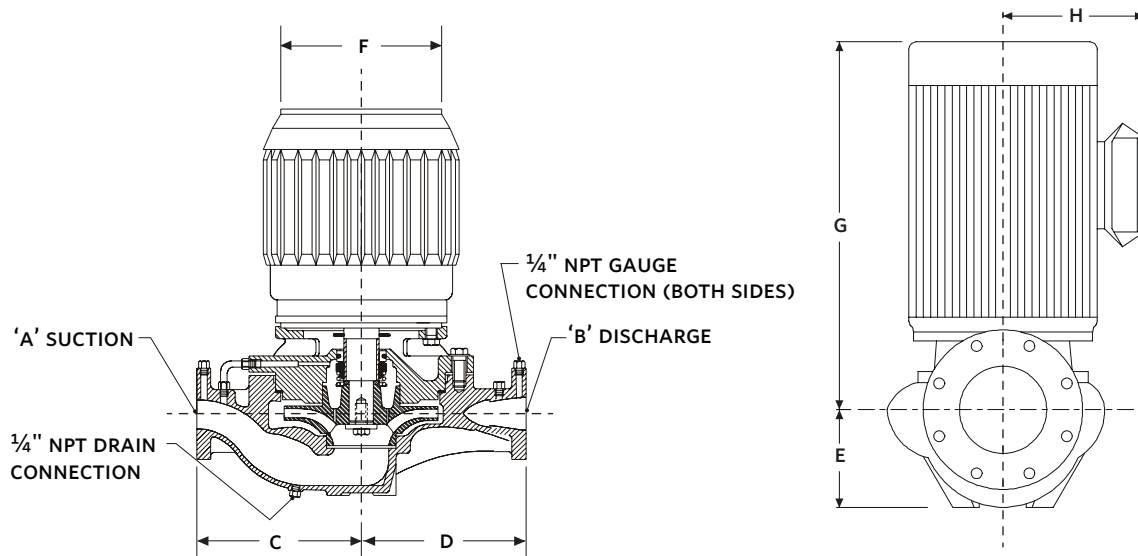


## VERTICAL IN-LINE FIRE PUMP 43MF | 2 x 2 x 8 | SUBMITTAL

File No: F43.103E  
Date: AUGUST 10, 2016  
Supersedes: F43.103G  
Date: AUGUST 28, 2012

Job: \_\_\_\_\_ Representative: \_\_\_\_\_  
 \_\_\_\_\_ Order no.: \_\_\_\_\_ Date: \_\_\_\_\_  
 Engineer: \_\_\_\_\_ Submitted by: \_\_\_\_\_ Date: \_\_\_\_\_  
 Contractor: \_\_\_\_\_ Approved by: \_\_\_\_\_ Date: \_\_\_\_\_



### PUMP DATA

PUMP	DIMENSIONS inches (mm)					WEIGHT
MODEL	A	B	C	D	E	lbs (kgs)
43MF 2x2x8	2.00 (51)	2.00 (51)	8.50 (216)	9.50 (241)	5.09 (129)	130 (59.0)



### UL LISTED MOTOR DATA

MOTOR	DIMENSIONS inches (mm)			WEIGHT
FRAME	F MAX	G MAX	H MAX	lbs (kgs)
182JM	10.38 (264)	19.26 (484)	7.50 (191)	86 (39.0)
184JM	10.38 (264)	19.26 (484)	7.50 (191)	86 (39.0)
213JP	12.13 (308)	25.49 (647)	8.25 (210)	136 (61.7)
215JP	12.13 (308)	25.49 (647)	8.25 (210)	136 (61.7)
254JM	12.13 (308)	24.86 (631)	9.94 (252)	204 (92.5)
256JM	12.13 (308)	24.86 (631)	9.94 (252)	204 (92.5)

### FLANGE RATING

- ANSI 125# STD  
 ANSI 125#  
 250# FLANGED SHOWN

- Dimensions are not to be used for construction purposes unless certified.
- Data subject to change without notice.

**TORONTO**

23 BERTRAND AVENUE  
TORONTO, ONTARIO  
CANADA  
M1L 2P3  
+1 416 755 2291

**BUFFALO**

93 EAST AVENUE  
NORTH TONAWANDA, NEW YORK  
U.S.A.  
14120-6594  
+1 716 693 8813

**BIRMINGHAM**

HEYWOOD WHARF, MUCKLOW HILL  
HALESOWEN, WEST MIDLANDS  
UNITED KINGDOM  
B62 8DJ  
+44 (0) 8444 145 145

**MANCHESTER**

WOLVERTON STREET  
MANCHESTER  
UNITED KINGDOM  
M11 2ET  
+44 (0) 8444 145 145

**BANGALORE**

#59, FIRST FLOOR, 3RD MAIN  
MARGOSA ROAD, MALLESWARAM  
BANGALORE, INDIA  
560 003  
+91 (0) 80 4906 3555

**SHANGHAI**

NO. 1619 HU HANG ROAD, XI DU TOWNSHIP  
FENG XIAN DISTRICT, SHANGHAI  
P.R.C.  
201401  
+86 21 3756 6696

**SÃO PAULO**

RUA JOSÉ SEMIÃO RODRIGUES AGOSTINHO,  
1370 GALPÃO 6  
EMBU DAS ARTES  
SAO PAULO, BRAZIL  
+55 11 4781 5500

**SAFETY  
HAS A  
HOME**