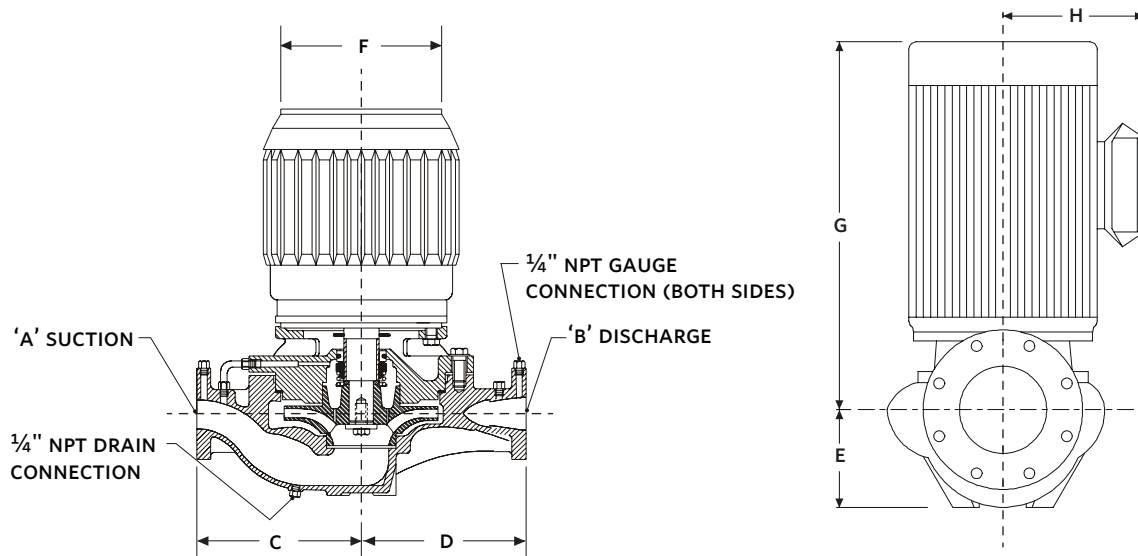


VERTICAL IN-LINE FIRE PUMP 43MF | 3 × 3 × 10 | SUBMITTAL

File No: F43.103G
Date: AUGUST 10, 2016
Supersedes: F43.103I
Date: MARCH 10, 2001

Job: _____ Representative: _____
 _____ Order no.: _____ Date: _____
 Engineer: _____ Submitted by: _____ Date: _____
 Contractor: _____ Approved by: _____ Date: _____



PUMP DATA

PUMP	DIMENSIONS inches (mm)					WEIGHT
	MODEL	A	B	C	D	E
43MF 3×3×10	3.00 (76)	3.00 (76)	9.50 (241)	11.50 (292)	5.40 (137)	210 (95.2)



UL LISTED MOTOR DATA

MOTOR	DIMENSIONS inches (mm)			WEIGHT
	FRAME	F MAX	G MAX	H MAX
284JP	11.50 (292)	30.49 (774)	10.81 (275)	279 (126.6)
286JP	11.50 (292)	30.49 (774)	10.81 (275)	279 (126.6)
324JP	14.19 (360)	31.86 (809)	10.81 (275)	424 (192.3)
326JP	14.19 (360)	31.86 (809)	10.81 (275)	424 (192.3)

FLANGE RATING

ANSI 250# STD

- Dimensions are not to be used for construction purposes unless certified.
- Data subject to change without notice.

TORONTO

23 BERTRAND AVENUE
TORONTO, ONTARIO
CANADA
M1L 2P3
+1 416 755 2291

BUFFALO

93 EAST AVENUE
NORTH TONAWANDA, NEW YORK
U.S.A.
14120-6594
+1 716 693 8813

BIRMINGHAM

HEYWOOD WHARF, MUCKLOW HILL
HALESOWEN, WEST MIDLANDS
UNITED KINGDOM
B62 8DJ
+44 (0) 8444 145 145

MANCHESTER

WOLVERTON STREET
MANCHESTER
UNITED KINGDOM
M11 2ET
+44 (0) 8444 145 145

BANGALORE

#59, FIRST FLOOR, 3RD MAIN
MARGOSA ROAD, MALLESWARAM
BANGALORE, INDIA
560 003
+91 (0) 80 4906 3555

SHANGHAI

NO. 1619 HU HANG ROAD, XI DU TOWNSHIP
FENG XIAN DISTRICT, SHANGHAI
P.R.C.
201401
+86 21 3756 6696

SÃO PAULO

RUA JOSÉ SEMIÃO RODRIGUES AGOSTINHO,
1370 GALPÃO 6
EMBU DAS ARTES
SAO PAULO, BRAZIL
+55 11 4781 5500

ARMSTRONG FLUID TECHNOLOGY
ESTABLISHED 1934

ARMSTRONGFLUIDTECHNOLOGY.COM

**SAFETY
HAS A
HOME**