

## VERTICAL IN-LINE FIRE PUMP 43PF | 8 x 8 x 16 FM | SUBMITTAL

File No: F43.103N  
Date: AUGUST 10, 2016  
Supersedes: F43.103N  
Date: FEBRUARY 28, 2008

Job: \_\_\_\_\_ Representative: \_\_\_\_\_  
 \_\_\_\_\_ Order no.: \_\_\_\_\_ Date: \_\_\_\_\_  
 Engineer: \_\_\_\_\_ Submitted by: \_\_\_\_\_ Date: \_\_\_\_\_  
 Contractor: \_\_\_\_\_ Approved by: \_\_\_\_\_ Date: \_\_\_\_\_

### PUMP DESIGN DATA

Flow: \_\_\_\_\_  
 Head: \_\_\_\_\_

### MOTOR DATA

HP: \_\_\_\_\_ RPM: \_\_\_\_\_  
 Volt: \_\_\_\_\_ ph: \_\_\_\_\_ Hz: \_\_\_\_\_

ENCLOSURE: \_\_\_\_\_  
 \_\_\_\_\_

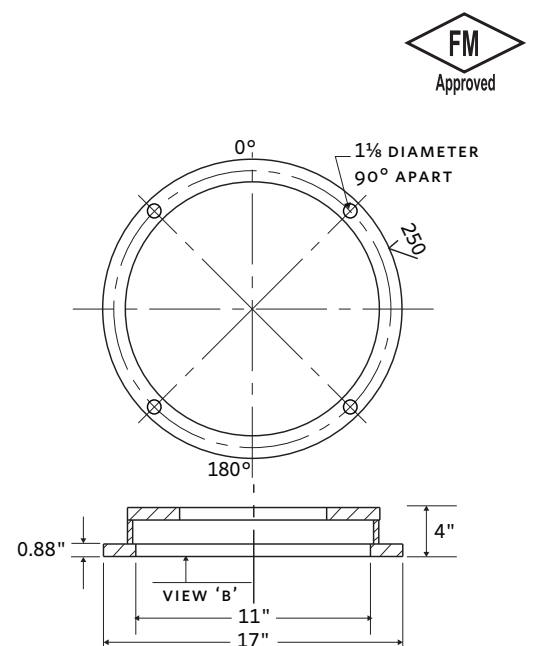
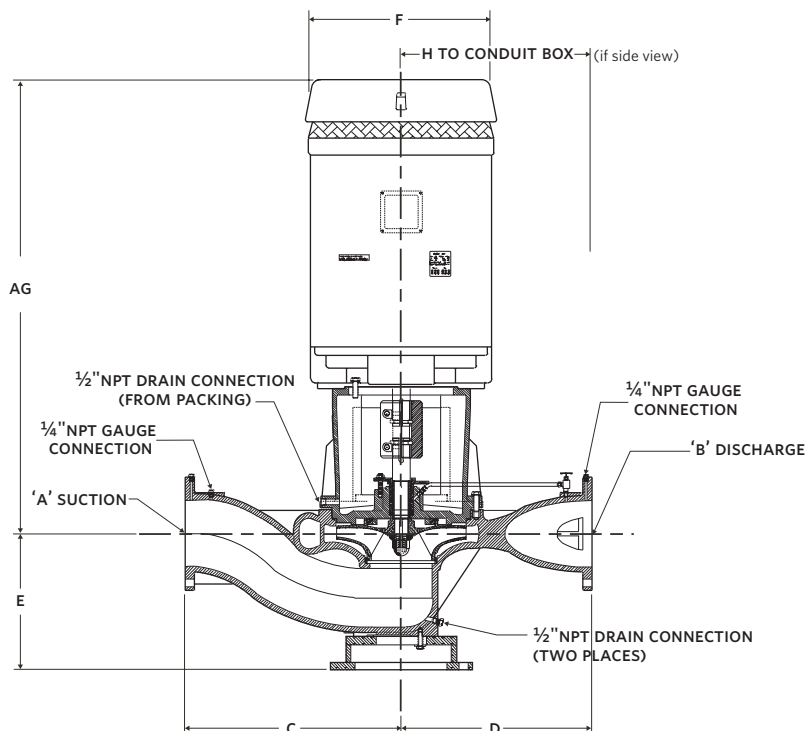
### FIRE PUMP LISTING

- UL
- ULC
- FM

### FLANGE RATING

- ANSI 125# STD
- ANSI 250# STD
- PN 16

- Dimensions are not to be used for construction purposes unless certified.
- Data subject to change without notice.



Base for FM Approval Only

SUBMITTAL  
8x8x16FM

Vertical In-line fire pump  
Series 43PF

2

## PUMP DATA

PUMP	DIMENSIONS inches (mm)					WEIGHT
MODEL	A	B	C	D	E	lbs (kgs)
43PF 8x8x16FM	8.00 (203)	8.00 (203)	25.88 (657)	22.88 (581)	12.34 (313)	918 (416.4)

## UL LISTED MOTOR DATA

MOTOR	DIMENSIONS inches (mm)			WEIGHT
FRAME	F MAX	AG MAX	H MAX	lbs (kgs)
364TC	17.63 (448)	42.50 (1080)	16.19 (411)	935 (424.1)
365TC	17.63 (448)	42.50 (1080)	16.19 (411)	935 (424.1)
404TC	17.63 (448)	48.12 (1222)	16.19 (411)	1207 (547.5)
405TC	17.63 (448)	48.12 (1222)	16.19 (411)	1207 (547.5)

### TORONTO

+1 416 755 2291

### BUFFALO

+1 716 693 8813

### BIRMINGHAM

+44 (0) 8444 145 145

### MANCHESTER

+44 (0) 8444 145 145

### BANGALORE

+91 (0) 80 4906 3555

### SHANGHAI

+86 21 3756 6696

### SÃO PAULO

+55 11 4781 5500

ARMSTRONG FLUID TECHNOLOGY  
ESTABLISHED 1934

ARMSTRONGFLUIDTECHNOLOGY.COM