

## FLO-TREX VALVES STRAIGHT AND ANGLE GROOVED SIZES 2.5"- 6" | SUBMITTAL

File No: 35.50  
Date: SEPTEMBER 18, 2020  
Supersedes: 35.50  
Date: JUNE 30, 2020

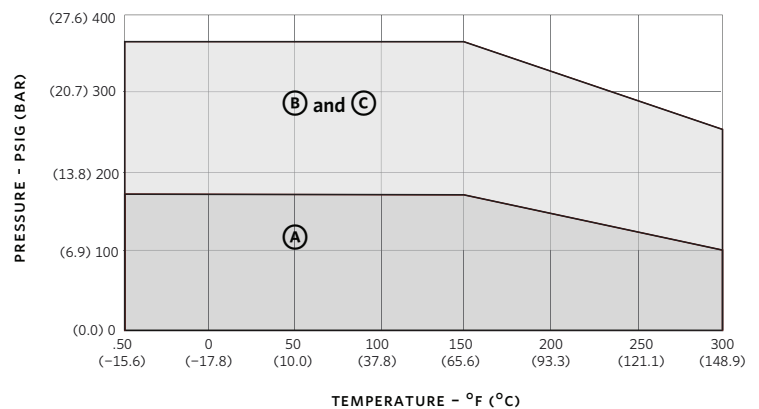
Job: \_\_\_\_\_ Representative: \_\_\_\_\_  
 \_\_\_\_\_ Ordered by: \_\_\_\_\_ Date: \_\_\_\_\_  
 Engineer: \_\_\_\_\_ Submitted by: \_\_\_\_\_ Date: \_\_\_\_\_  
 Contractor: \_\_\_\_\_ Approved by: \_\_\_\_\_ Date: \_\_\_\_\_

VALVE SCHEDULE				ARMGRIP™ FLANGE ADAPTER						INSULATION (OPTIONAL)		
PUMP NO.	FTV MODEL NO.	QTY.	VALVE PATTERN		FLANGE SIZE	FLANGED BOTH ENDS		FLANGED ONE END		NO FLANGES REQUIRED	IF CHECKED BELOW SUPPLIED	
			ANGLE	STRAIGHT		125/150	250/300	125/150	250/300		ANGLE	STRAIGHT

### MATERIALS OF CONSTRUCTION

- Body:** Ductile iron ASTM A536 GR 65-45-12
- Disc:** Brass - ASTM B584 C-84400
- Seat guide:** High strength engineered resin
- Seat Gasket & O-ring:** EPDM
- Stem:** Stainless steel ASTM A582 type 416
- Spring:** Stainless steel ASTM A313 type 302
- Bonnet O-ring:** Buna N.
- Metering ports (2):** NPT Brass body with EPT check and Gasketed cap
- Drain tappings (2):** ¼" with brass plug
- Armgrrip™ Flange Adapter:** Ductile Iron ASTM A536 GR 65-45-12 with EPT gaskets

### PRESSURE TEMPERATURE LIMITS



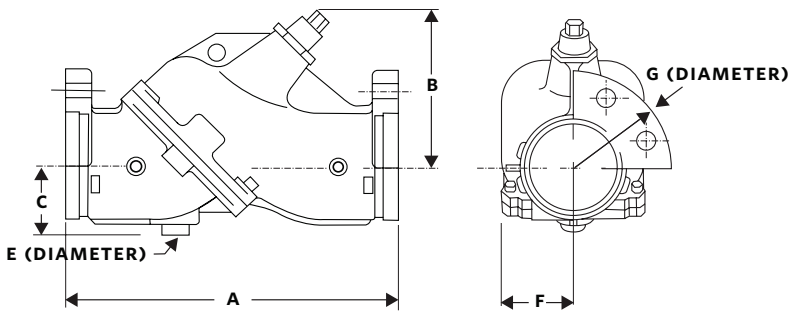
- Ⓐ Armgrrip ductile iron flange adapters for ANSI 150# flanges
- Ⓑ Armgrrip ductile iron flange adapters for ANSI 300# flanges
- Ⓒ Grooved end with 375 p.s.i rated pipe coupling

**Note:** EPT Elastomers are not suitable for oil service.

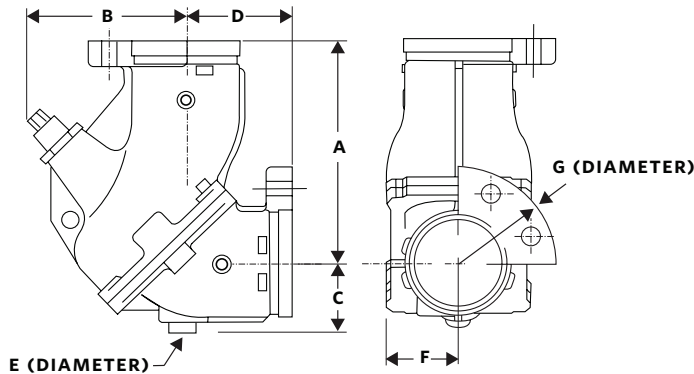
MODEL	FTV-GS GROOVED STRAIGHT inches (mm)					FTV-GA GROOVED ANGLE inches (mm)				
	2.5	3	4	5	6	2.5	3	4	5	6
<b>CONNECTION SIZE (INS.)</b>										
<b>A</b>	12.00 (305)	12.00 (305)	14.00 (356)	17.50 (445)	20.69 (525)	7.38 (187)	8.19 (208)	9.63 (245)	12.00 (305)	14.13 (359)
<b>B (fully open)</b>	7.00 (178)	7.81 (198)	8.00 (203)	10.13 (257)	10.38 (264)	7.00 (178)	7.81 (198)	8.00 (203)	10.13 (257)	10.38 (264)
<b>C</b>	2.75 (70)	2.44 (62)	3.00 (76)	3.63 (92)	4.44 (113)	2.75 (70)	2.44 (62)	3.00 (76)	3.63 (92)	4.44 (113)
<b>D</b>	—	—	—	—	—	4.63 (118)	3.88 (99)	4.38 (111)	5.50 (140)	6.63 (168)
<b>E</b>	1.00 (25)	1.00 (25)	1.25 (32)	1.25 (32)	2.00 (51)	1.00 (25)	1.00 (25)	1.25 (32)	1.25 (32)	2.00 (51)
<b>F</b>	2.56 (65)	3.00 (76)	3.44 (87)	4.94 (125)	5.88 (149)	2.56 (65)	3.00 (76)	3.44 (87)	4.94 (125)	5.88 (149)
<b>G (flange 125/150 psi)</b>	7.00 (178)	7.50 (191)	9.25 (235)	10.00 (254)	11.00 (279)	7.00 (178)	7.50 (191)	9.25 (235)	10.00 (254)	11.00 (279)
<b>G (flange 250/300 psi)</b>	7.50 (191)	8.25 (210)	10.00 (254)	11.00 (279)	12.50 (318)	7.50 (191)	8.25 (210)	10.00 (254)	11.00 (279)	12.50 (318)
<b>Weight lbs (kg)</b>	19 (9.0)	24 (11.0)	42 (19.0)	81 (37.0)	120 (54.0)	19 (9.0)	24 (11.0)	42 (19.0)	81 (37.0)	120 (54.0)

Dimensions and weights are for reference only. Dimensions are inches (mm) and weights are lbs (kg).

**STRAIGHT - MODEL FTV-GS**



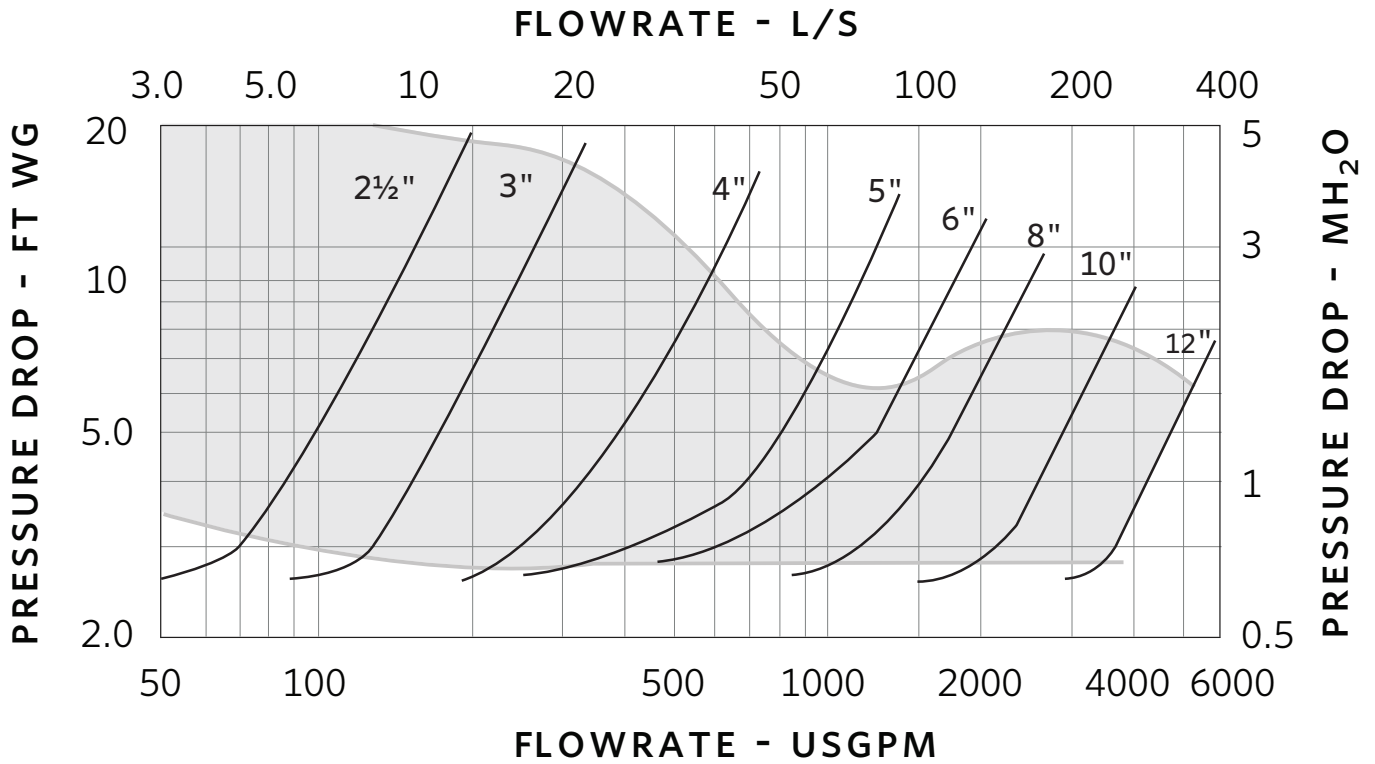
**ANGLE - MODEL FTV-GA**



ARMGRIP™ FLANGE ADAPTER DETAILS							
VALVE SIZE	125 PSI/150 PSI DUCTILE IRON			250 PSI/300 PSI DUCTILE IRON			REQ'D BOLT
	BOLT		BOLT DIA. inches (mm)	BOLT		BOLT DIA. inches (mm)	
	NO	SIZE		NO	SIZE		
2½	4	5/8	5.50 (140)	8	¾	5.88 (149)	2½
3	4	5/8	6.00 (152)	8	¾	6.63 (168)	2½
4	8	5/8	7.50 (191)	8	¾	7.88 (200)	3
5	8	¾	8.50 (216)	8	¾	9.25 (235)	3
6	8	¾	9.50 (241)	12	¾	10.63 (270)	¾

For Installation and Operating Instructions and Parts List request File No. 35.08

**FLO-TREX PERFORMANCE CURVE  
WITH VALVE IN FULL OPEN POSITION**



**TORONTO**

23 BERTRAND AVENUE  
TORONTO, ONTARIO  
CANADA, M1L 2P3  
+1 416 755 2291

**BUFFALO**

93 EAST AVENUE  
NORTH TONAWANDA, NEW YORK  
U.S.A., 14120-6594  
+1 716 693 8813

**BIRMINGHAM**

HEYWOOD WHARF, MUCKLOW HILL  
HALESOWEN, WEST MIDLANDS  
UNITED KINGDOM, B62 8DJ  
+44 (0) 8444 145 145

**MANCHESTER**

WOLVERTON STREET  
MANCHESTER  
UNITED KINGDOM, M11 2ET  
+44 (0) 8444 145 145

**BANGALORE**

#59, FIRST FLOOR, 3RD MAIN  
MARGOSA ROAD, MALLESWARAM  
BANGALORE, INDIA, 560 003  
+91 (0) 80 4906 3555

**SHANGHAI**

UNIT 903, 888 NORTH SICHUAN RD.  
HONGKOU DISTRICT, SHANGHAI  
CHINA, 200085  
+86 (0) 21 5237 0909

**SÃO PAULO**

RUA JOSÉ SEMIÃO RODRIGUES AGOSTINHO,  
1370 GALPÃO 6 EMBU DAS ARTES  
SAO PAULO, BRAZIL  
+55 11 4785 1330

**LYON**

93 RUE DE LA VILLETTE  
LYON, 69003 FRANCE  
+33 (0) 420 102 625

**DUBAI**

JAFZA VIEW 19, OFFICE 402  
P.O.BOX 18226 JAFZA,  
DUBAI - UNITED ARAB EMIRATES  
+971 4 887 6775

**MANNHEIM**

DYNAMOSTRASSE 13  
68165 MANNHEIM  
GERMANY  
+49 (0) 621 3999 9858