

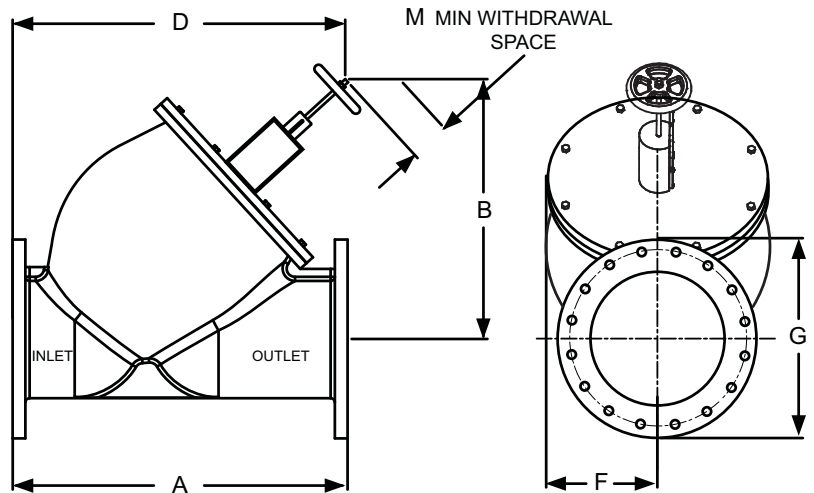
FLO-TREX VALVES - PN 16 FLANGED Straight Sizes 350mm – 600mm (14" – 24")

SUBMITTAL

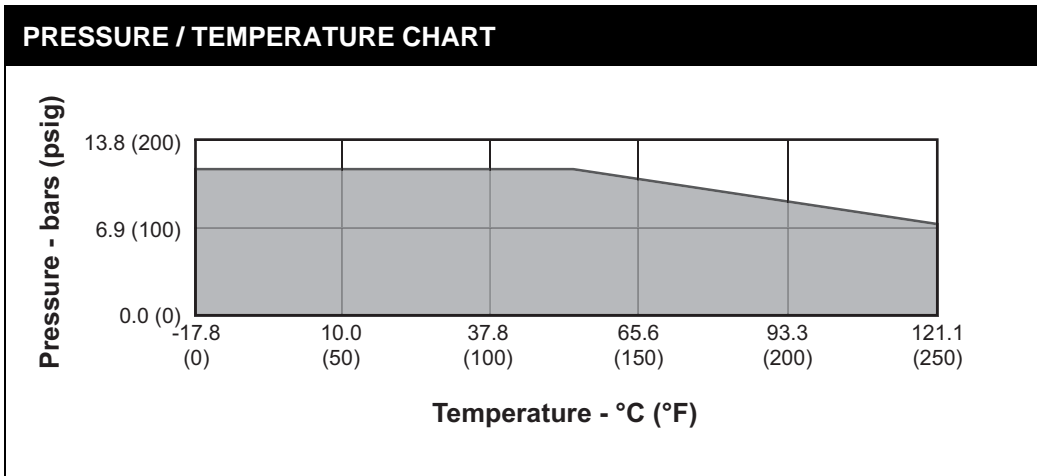
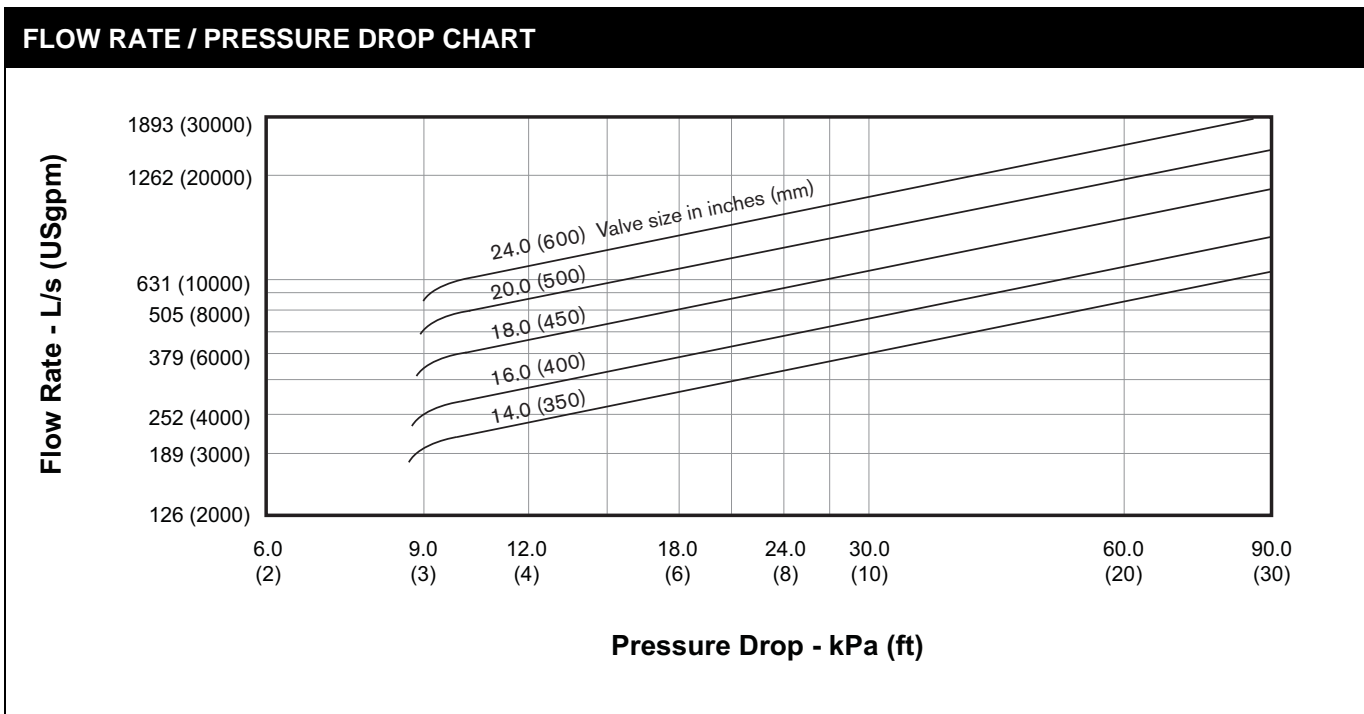
PROJECT: _____	REPRESENTATIVE: _____
_____	ORDER NO: _____ DATE: _____
ENGINEER: _____	SUBMITTED BY: _____ DATE: _____
CONTRACTOR: _____	APPROVED BY: _____ DATE: _____

Tag	Qty	FTV-FS Model and Size	Configuration	Flange Rating	Pump Description
				PN 16	
				PN 16	
				PN 16	
				PN 16	
				PN 16	
				PN 16	
				PN 16	
				PN 16	
				PN 16	
				PN 16	
				PN 16	
				PN 16	
				PN 16	
				PN 16	
				PN 16	

MATERIALS OF CONSTRUCTION	
Flange Rating	PN 16
Body	Cast Iron (A126 CLB)
Disc	EPDM
Disc Holder	Carbon Steel
Seat	Cast Bronze
Stem	Stainless Steel Type 304
Spring	Stainless Steel Type 304
O-Rings	EPDM
Metering Ports (2)	Brass



DIMENSIONS - mm (inches)								Weight kg (lbs)
Model	Size	A	B	D	F	G	M	
FTV-14FS	350 (14.00)	834 (32.84)	630 (24.80)	886 (34.87)	271 (10.67)	520 (20.47)	95 (3.74)	370.0 (816)
FTV-16FS	400 (16.00)	1002 (39.45)	780 (30.71)	1083 (42.66)	324 (12.74)	580 (22.83)	120 (4.72)	720.0 (1588)
FTV-18FS	450 (18.00)	1105 (43.50)	850 (33.46)	1199 (47.19)	360 (14.18)	640 (25.20)	140 (5.51)	840.0 (1852)
FTV-20FS	500 (20.00)	1242 (48.90)	995 (39.17)	1337 (52.65)	445 (17.52)	715 (28.15)	155 (6.10)	1150.0 (2536)
FTV-24FS	600 (24.00)	1408 (55.43)	1085 (42.72)	1477 (58.16)	492 (19.35)	840 (33.07)	175 (6.89)	1240.0 (2734)



S. A. Armstrong Limited
 23 Bertrand Avenue
 Toronto, Ontario
 Canada, M1L 2P3
 T: (416) 755-2291
 F (Main): (416) 759-9101

Armstrong Pumps Inc.
 93 East Avenue
 North Tonawanda, New York
 U.S.A. 14120-6594
 T: (716) 693-8813
 F: (716) 693-8970

Armstrong Integrated Limited
 Wenlock Way
 Manchester
 United Kingdom, M12 5JL
 T: +44 (0) 8444 145 145
 F: +44 (0) 8444 145 146

