

FLO-TREX VALVES STRAIGHT AND ANGLED SIZES 2.5" - 12" | SUBMITTAL

File No: 35.54IEC
Date: DECEMBER 09, 2019
Supersedes: 35.54
Date: AUGUST 02, 2019

Job: _____ Representative: _____
 _____ Ordered by: _____ Date: _____
 Engineer: _____ Submitted by: _____ Date: _____
 Contractor: _____ Approved by: _____ Date: _____

FLO-TREX VALVE SCHEDULE

PUMP NO.	QTY.	FTV-F MODEL AND SIZE	CONFIGURATION		PN FLANGE RATING (BAR)		INSULATION (OPTIONAL) CHECK IF REQUIRED		PUMP DESCRIPTION
			STRAIGHT	ANGLED	PN 16	PN 25	STRAIGHT	ANGLED	

MATERIALS OF CONSTRUCTION

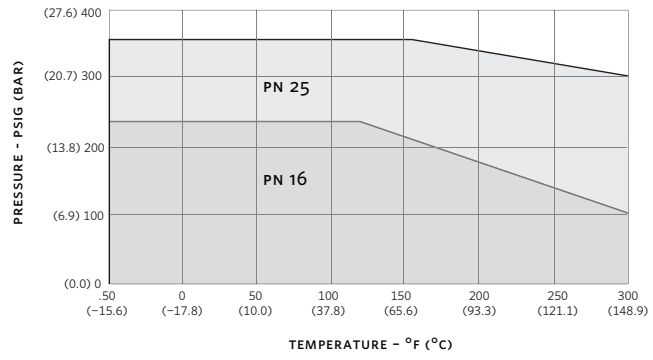
- PN flange rating** 16 bar 25 bar
- Body** Cast iron ASTM A48 class 30 Ductile iron ASTM A536 grade 65-45-12
- Disc** Bronze ASTM B584-C84400
- Seat** EPDM^①
- Stem** Stainless steel ASTM A582 type 416
- Spring** Stainless steel ASTM A313 type 302
- O-rings** Buna (stem) elastomers & EPDM
- Metering ports (2)** Brass body with EPDM check and gasketed cap
- Drain tappings (2)** ¼" NPT with brass plug
- Insulation (optional)** PVC white cover with mineral fiberglass insulation which meets or exceeds ASTM D1784 class 14253-C, MEA #7-87, ASTM E84 and ASTM E136 and flame rating of 25 or less and smoke rating of 50 or less.

① EPDM Elastomers are not suitable for oil service.

MAXIMUM PUMP OPERATING CONDITIONS

- PN 16**
12 bar at 65°C (175 psig at 150°F)
7 bar at 150°C (100 psig at 300°F)
- PN 25**
26 bar at 65°C (375 psig at 150°F)
21 bar at 150°C (260 psig at 300°F)

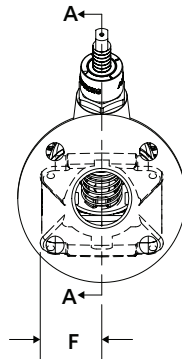
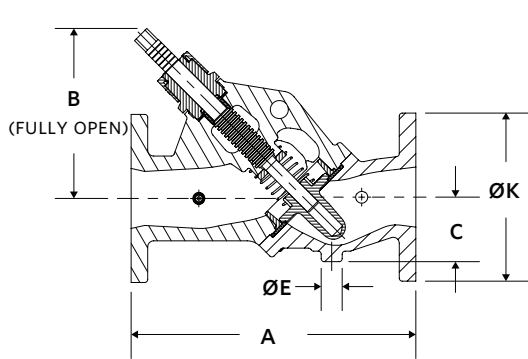
PRESSURE TEMPERATURE LIMITS



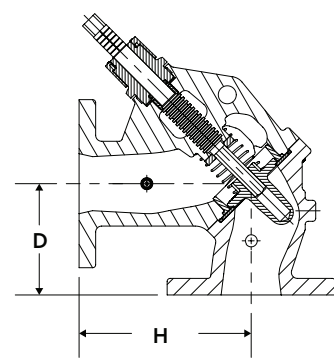
MODEL NUMBER	PART NUMBER	RATING	CONNECTION	TYPE	CONNECTION mm (inches)	DIMENSIONS mm (inches)								WEIGHT kg (lbs)
						A	B	C	D	ØE	F	H	ØK	
FTV-2.5FS	570200-376	PN 16	Flanged	Straight	64 (2.5)	302 (11.9)	178 (7.00)	68 (2.69)	-	22 (0.88)	65 (2.56)	-	178 (7.00)	14.9 (33.0)
FTV-3FS	570200-377	PN 16	Flanged	Straight	76 (3.0)	297 (11.69)	198 (7.81)	64 (2.51)	-	22 (0.88)	76 (3.00)	-	191 (7.50)	17.7 (39.0)
FTV-4FS	570200-378	PN 16	Flanged	Straight	102 (4.0)	355 (13.96)	203 (8.00)	79 (3.12)	-	29 (1.13)	87 (3.42)	-	229 (9.00)	26.7 (59.0)
FTV-5FS	570200-379	PN 16	Flanged	Straight	127 (5.0)	441 (17.38)	257 (10.13)	95 (3.74)	-	29 (1.13)	121 (4.77)	-	254 (10.0)	49.0 (108.0)
FTV-6FS	570200-380	PN 16	Flanged	Straight	152 (6.0)	523 (20.59)	264 (10.38)	115 (4.52)	-	44 (1.75)	150 (5.9)	-	279 (11.0)	75.8 (167.0)
FTV-8FS	570200-381	PN 16	Flanged	Straight	203 (8.0)	706 (27.8)	476 (18.75)	145 (5.69)	-	48 (1.88)	200 (7.88)	-	343 (13.5)	156.0 (344.0)
FTV-10FS	570200-382	PN 16	Flanged	Straight	254 (10.0)	762 (30.01)	610 (24.0)	168 (6.63)	-	48 (1.88)	242 (9.53)	-	406 (16.0)	323.0 (603.0)
FTV-12FS	570200-383	PN 16	Flanged	Straight	305 (12.0)	966 (38.03)	667 (26.25)	194 (7.65)	-	48 (1.88)	321 (12.63)	-	483 (19.0)	456.3 (1006.0)
FTV-2.5FA	570200-476	PN 16	Flanged	Angled	64 (2.5)	-	178 (7.00)	68 (2.69)	118 (4.64)	22 (0.88)	65 (2.56)	182 (7.17)	178 (7.00)	14.9 (33.0)
FTV-3FA	570200-477	PN 16	Flanged	Angled	76 (3.0)	-	198 (7.81)	64 (2.51)	92 (3.64)	22 (0.88)	76 (3.00)	203 (8.01)	191 (7.50)	17.7 (39.0)
FTV-4FA	570200-478	PN 16	Flanged	Angled	102 (4.0)	-	203 (8.00)	79 (3.12)	111 (4.38)	29 (1.13)	87 (3.42)	243 (9.58)	229 (9.00)	26.7 (59.0)
FTV-5FA	570200-479	PN 16	Flanged	Angled	127 (5.0)	-	257 (10.13)	95 (3.74)	138 (5.43)	29 (1.13)	121 (4.77)	304 (11.97)	254 (10.0)	49.0 (108.0)
FTV-6FA	570200-480	PN 16	Flanged	Angled	152 (6.0)	-	264 (10.38)	115 (4.52)	165 (6.49)	44 (1.75)	150 (5.9)	358 (14.1)	279 (11.0)	75.8 (167.0)
FTV-8FA	570200-481	PN 16	Flanged	Angled	203 (8.0)	-	476 (18.75)	145 (5.69)	223 (8.79)	48 (1.88)	200 (7.88)	481 (18.94)	343 (13.5)	156.0 (344.0)
FTV-10FA	570200-482	PN 16	Flanged	Angled	254 (10.0)	-	610 (24.0)	168 (6.63)	248 (9.77)	48 (1.88)	242 (9.53)	516 (20.33)	406 (16.0)	323.0 (603.0)
FTV-12FA	570200-483	PN 16	Flanged	Angled	305 (12.0)	-	667 (26.25)	194 (7.65)	357 (14.04)	48 (1.88)	321 (12.63)	610 (24.02)	483 (19.0)	456.3 (1006.0)
FTV-2.5GS	570200-386	PN 16 & PN 25	Grooved	Straight	64 (2.5)	306 (12.04)	178 (7.00)	68 (2.69)	-	22 (0.88)	65 (2.56)	-	73 (2.88)	8.6 (19.0)
FTV-3GS	570200-387	PN 16 & PN 25	Grooved	Straight	76 (3.0)	304 (11.96)	198 (7.81)	64 (2.51)	-	22 (0.88)	76 (3.00)	-	89 (3.5)	10.9 (24.0)
FTV-4GS	570200-388	PN 16 & PN 25	Grooved	Straight	102 (4.0)	356 (14.01)	203 (8.00)	79 (3.12)	-	29 (1.13)	87 (3.42)	-	115 (4.52)	19.1 (42.0)
FTV-5GS	570200-389	PN 16 & PN 25	Grooved	Straight	127 (5.0)	445 (17.52)	257 (10.13)	95 (3.74)	-	29 (1.13)	121 (4.77)	-	142 (5.58)	36.7 (81.0)
FTV-6GS	570200-390	PN 16 & PN 25	Grooved	Straight	152 (6.0)	529 (20.81)	264 (10.38)	115 (4.52)	-	44 (1.75)	150 (5.9)	-	168 (6.63)	54.0 (120.0)
FTV-8GS	570200-391	PN 16 & PN 25	Grooved	Straight	203 (8.0)	710 (27.96)	476 (18.75)	145 (5.69)	-	48 (1.88)	200 (7.88)	-	219 (8.63)	130.90 (288.6)
FTV-10GS	570200-392	PN 16 & PN 25	Grooved	Straight	254 (10.0)	762 (30.01)	610 (24.0)	168 (6.63)	-	48 (1.88)	242 (9.53)	-	273 (10.75)	208.0 (458.5)
FTV-12GS	570200-393	PN 16 & PN 25	Grooved	Straight	305 (12.0)	968 (38.1)	667 (26.25)	194 (7.65)	-	48 (1.88)	321 (12.63)	-	324 (12.75)	371.1 (818.1)
FTV-2.5GA	570200-486	PN 16 & PN 25	Grooved	Angled	64 (2.5)	-	178 (7.00)	68 (2.69)	118 (4.63)	22 (0.88)	65 (2.56)	187 (7.35)	73 (2.88)	8.6 (19.0)
FTV-3GA	570200-487	PN 16 & PN 25	Grooved	Angled	76 (3.0)	-	198 (7.81)	64 (2.51)	96 (3.77)	22 (0.88)	76 (3.00)	207 (8.15)	89 (3.5)	10.9 (24.0)
FTV-4GA	570200-488	PN 16 & PN 25	Grooved	Angled	102 (4.0)	-	203 (8.00)	79 (3.12)	112 (4.42)	29 (1.13)	87 (3.42)	244 (9.6)	115 (4.52)	19.1 (42.0)
FTV-5GA	570200-489	PN 16 & PN 25	Grooved	Angled	127 (5.0)	-	257 (10.13)	95 (3.74)	139 (5.47)	29 (1.13)	121 (4.77)	307 (12.07)	142 (5.58)	36.7 (81.0)
FTV-6GA	570200-490	PN 16 & PN 25	Grooved	Angled	152 (6.0)	-	264 (10.38)	115 (4.52)	169 (6.64)	44 (1.75)	150 (5.9)	360 (14.17)	168 (6.63)	54.0 (120.0)
FTV-8GA	570200-491	PN 16 & PN 25	Grooved	Angled	203 (8.0)	-	476 (18.75)	145 (5.69)	227 (8.93)	48 (1.88)	200 (7.88)	482 (18.96)	219 (8.63)	130.90 (288.6)
FTV-10GA	570200-492	PN 16 & PN 25	Grooved	Angled	254 (10.0)	-	610 (24.0)	168 (6.63)	248 (9.77)	48 (1.88)	242 (9.53)	516 (20.33)	273 (10.75)	208.0 (458.5)
FTV-12GA	570200-493	PN 16 & PN 25	Grooved	Angled	305 (12.0)	-	667 (26.25)	194 (7.65)	357 (14.05)	48 (1.88)	321 (12.63)	612 (24.08)	324 (12.75)	371.1 (818.1)
FTV-8HFS	570200-661	PN 25	Flanged	Straight	203 (8.0)	710 (27.96)	476 (18.75)	145 (5.69)	-	48 (1.88)	200 (7.88)	-	376 (14.82)	179.6 (396.0)
FTV-10HFS	570200-662	PN 25	Flanged	Straight	254 (10.0)	762 (30.01)	610 (24.0)	168 (6.63)	-	48 (1.88)	242 (9.53)	-	445 (17.5)	323.0 (712.0)
FTV-12HFS	570200-663	PN 25	Flanged	Straight	305 (12.0)	965 (37.99)	667 (26.25)	194 (7.65)	-	48 (1.88)	321 (12.63)	-	521 (20.5)	527.5 (1163.0)
FTV-8HFA	570200-681	PN 25	Flanged	Angled	203 (8.0)	-	476 (18.75)	145 (5.69)	225 (8.87)	48 (1.88)	200 (7.88)	483 (19.02)	376 (14.82)	156.0 (344.0)
FTV-10HFA	570200-682	PN 25	Flanged	Angled	254 (10.0)	-	610 (24.0)	168 (6.63)	248 (9.77)	48 (1.88)	242 (9.53)	516 (20.33)	445 (17.5)	323.0 (712.0)
FTV-12HFA	570200-683	PN 25	Flanged	Angled	305 (12.0)	-	667 (26.25)	194 (7.65)	356 (14.02)	48 (1.88)	321 (12.63)	610 (24.00)	521 (20.5)	527.5 (1163.0)

- Dimensions and weights are for reference only. Dimensions are mm (inches) and weights are kg (lbs).
- Tolerance of ±3 mm(±0.125") should be used
- For exact installation data, please write factory for certified dimensions

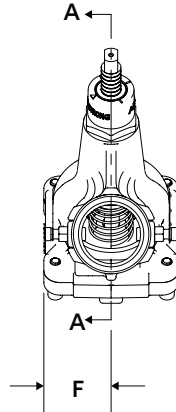
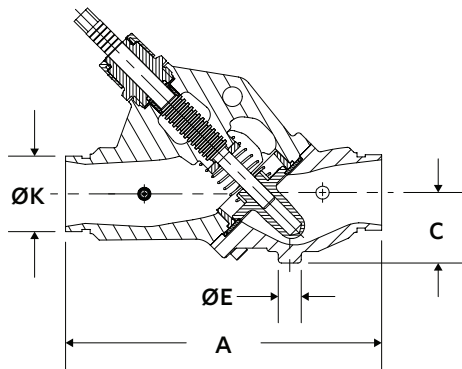
FLANGED, STRAIGHT - MODEL FTV-FS



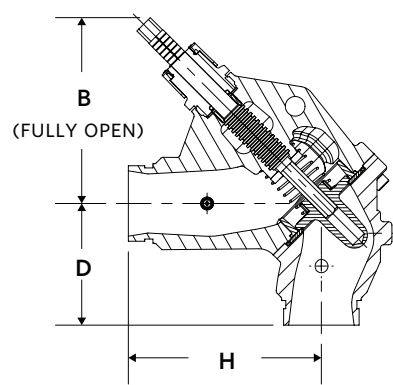
FLANGED, ANGLED - MODEL FTV-FA



GROOVED STRAIGHT - MODEL FTV-GS



GROOVED ANGLED - MODEL FTV-GA



TORONTO

23 BERTRAND AVENUE
TORONTO, ONTARIO
CANADA, M1L 2P3
+1 416 755 2291

BUFFALO

93 EAST AVENUE
NORTH TONAWANDA, NEW YORK
U.S.A., 14120-6594
+1 716 693 8813

BIRMINGHAM

HEYWOOD WHARF, MUCKLOW HILL
HALESOWEN, WEST MIDLANDS
UNITED KINGDOM, B62 8DJ
+44 (0) 8444 145 145

MANCHESTER

WOLVERTON STREET
MANCHESTER
UNITED KINGDOM, M11 2ET
+44 (0) 8444 145 145

BANGALORE

#59, FIRST FLOOR, 3RD MAIN
MARGOSA ROAD, MALLESWARAM
BANGALORE, INDIA, 560 003
+91 (0) 80 4906 3555

SHANGHAI

UNIT 903, 888 NORTH SICHUAN RD.
HONGKOU DISTRICT, SHANGHAI
CHINA, 200085
+86 (0) 21 5237 0909

SÃO PAULO

RUA JOSÉ SEMIÃO RODRIGUES AGOSTINHO,
1370 GALPÃO 6 EMBU DAS ARTES
SAO PAULO, BRAZIL
+55 11 4785 1330

LYON

93 RUE DE LA VILLETTE
LYON, 69003 FRANCE
+33 (0) 420 102 625

DUBAI

LOB16, #611, JAFZA
P.O. BOX 18226
DUBAI - UNITED ARAB EMIRATES
+971 4 887 6775

MANNHEIM

DYNAMOSTRASSE 13
68165 MANNHEIM
GERMANY
+49 (0) 621 3999 9858