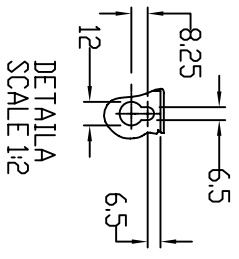
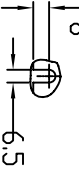


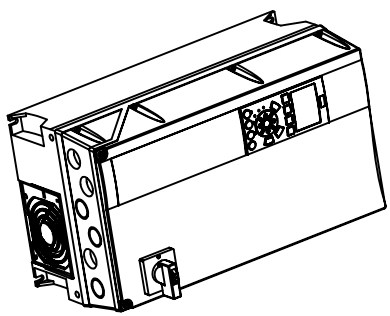
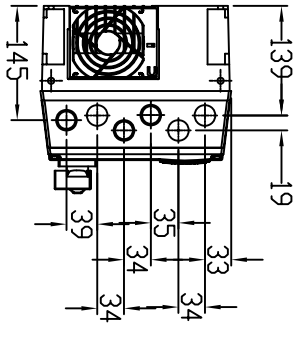
KW RATING	MAX. FUSE SIZE AT 380-500V	50% dBA	100% dBA	WEIGHT Kgs.
1.1	10A	54	63	14
1.5	10A	54	63	14
2.2	16A	54	63	14
3.0	16A	54	63	14
4.0	25A	54	63	14
5.5	25A	54	63	14
7.5	35A	54	63	14



DETAIL A
SCALE 1:2



DETAIL B
SCALE 1:2



LAST MODIFICATION DETAILS

SEE ECD 8785 (AHBP)
TITLE WAS FC102
VLT HVAC DRIVE REMOVED

ALL DIMENSIONS IN mm
DRAWN TO BS308
WELDING SYMBOLS TO BS499
SURFACE FINISH SHOWN IN MICROMETERS
MACHINE WHERE SHOWN TO TOLERANCE ± 0.3MM UNLESS OTHERWISE STATED

JOB No.	PART No.	WEIGHT KG	FILE NAME
-	-	-	-

DESIGN No. - PATTERN No. - MATERIAL - MAT'L SPEC. -

TITLE
IVS102 FREQUENCY INVERTER DRIVE AS CHASSIS

DRG No. CP12066-C

DATE 20/05/2009 DRN BSD
CHK BSD APP PK
SCALE 1:1 SHEET 1 OF 1

ARMSTRONG

WENLOCK WAY, MANCHESTER, M12 5JL
TEL: +44 (0) 161 223 2223