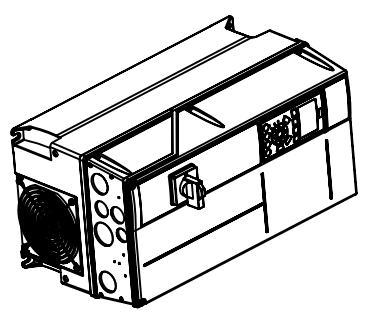
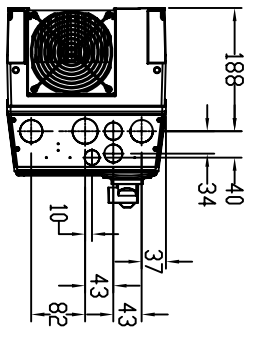
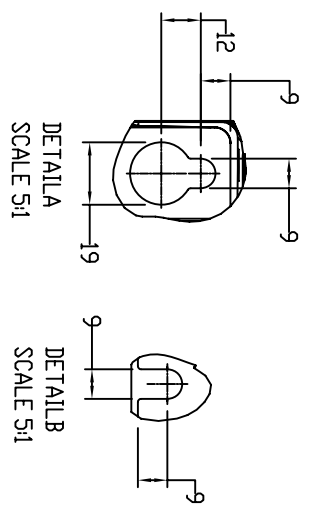
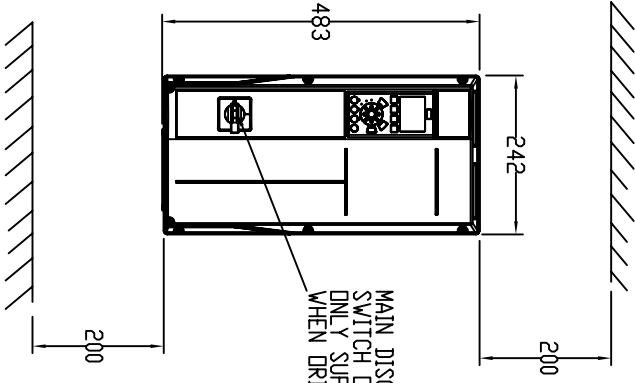
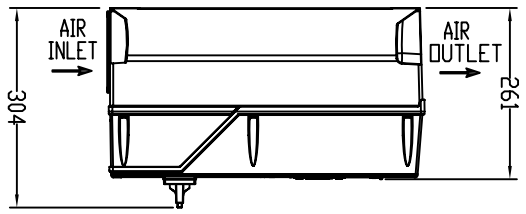
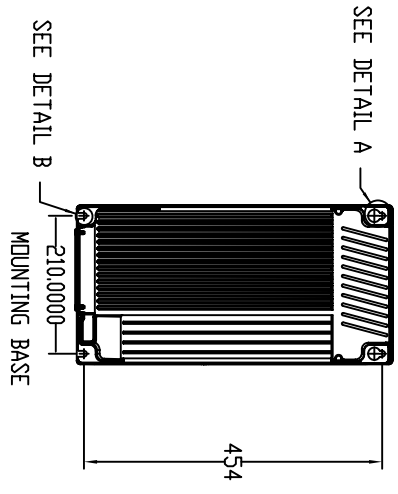




KV RATING	MAX. FUSE SIZE AT 380-500V	NOISE 50% dBA	NOISE 100% dBA	WEIGHT Kgs.
11	63A	61	67	23
15	63A	61	67	23
18.5	63A	61	67	23



**LAST MODIFICATION DETAILS**  
 SEE ECD 8785 (AHBP)  
 TITLE WAS FC102  
 VLT HVAC DRIVE REMOVED

**ALL DIMENSIONS IN mm**  
 DRAWN TO BS308  
 WELDING SYMBOLS TO BS499  
 SURFACE FINISH SHOWN IN MICROMETERS  
 MACHINE WHERE SHOWN TO TOLERANCE ± 0.3MM UNLESS OTHERWISE STATED

JOB No.	PART No.	WEIGHT KG	FILE NAME
-	-	-	-
DESIGN No.	PATTERN No.	MATERIAL	MAT'L SPEC.
-	-	-	-

THIS DRAWING IS THE PRIVATE AND CONFIDENTIAL PROPERTY OF ARMSTRONG HOLDEN BROOKE PULLEN LTD. ALL COPYRIGHT, MANUFACTURING AND SALES RIGHTS RESERVED.

**TITLE**  
 IVS102 FREQUENCY INVERTER DRIVE B1 CHASSIS

DRG No. CP12067-C

DATE 20/05/2009 DRN BSD  
 CHK BSD APP PK  
 SCALE 1:1 SHEET 1 OF 1

**ARMSTRONG**  
 WENLUCK WAY, MANCHESTER, M12 5JL  
 TEL: +44 (0) 161 223 2223