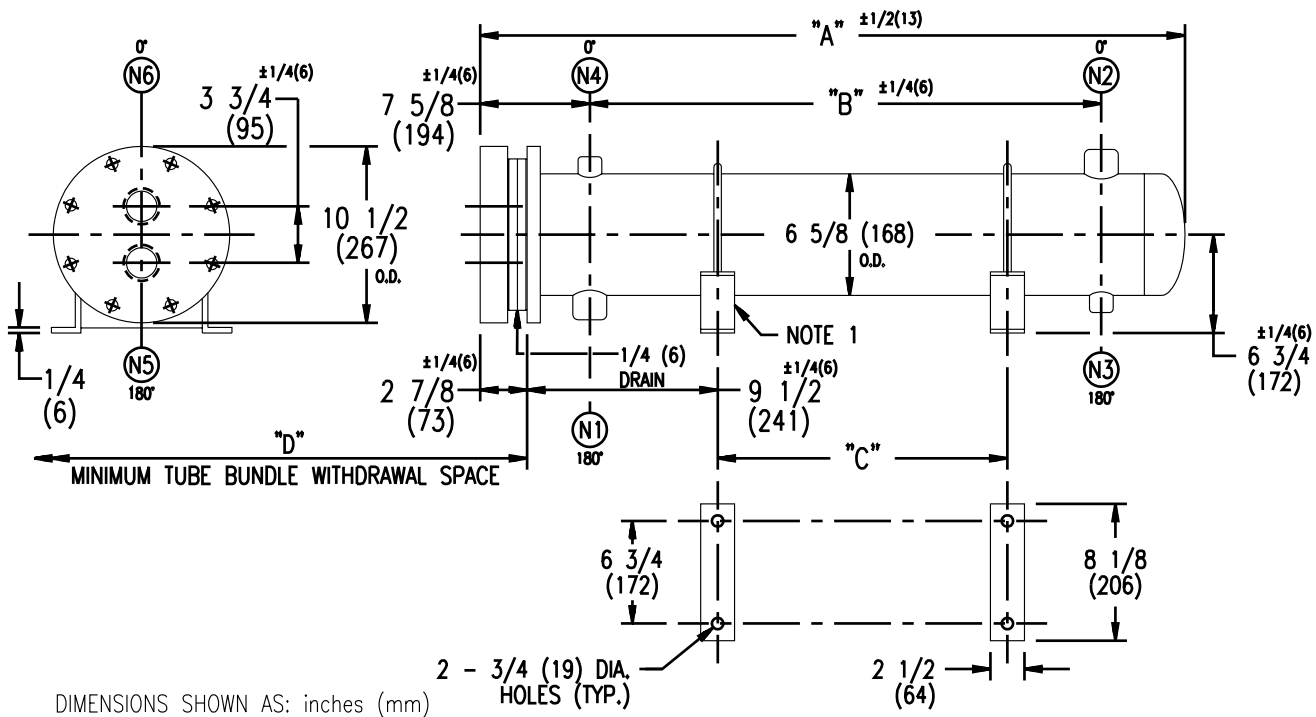


# ARMSTRONG®



DIMENSIONS SHOWN AS: inches (mm)

| EXCHANGER SIZE<br>*-BAFFLE SPACING | DIMENSIONS |      |        |      |        |      |        |      |        |    |        |    |
|------------------------------------|------------|------|--------|------|--------|------|--------|------|--------|----|--------|----|
|                                    | A          |      | B      |      | C      |      | D      |      | (N1)   |    | (N2)   |    |
|                                    | inches     | mm   | inches | mm   | inches | mm   | inches | mm   | inches | mm | inches | mm |
| WX-63-2*-3                         | 40 3/4     | 1035 | 28     | 711  | 19     | 483  | 39     | 991  | 3      | 76 | 3      | 76 |
| WX-64-2*-3                         | 52 3/4     | 1340 | 40     | 1016 | 31     | 787  | 51     | 1295 | 3      | 76 | 3      | 76 |
| WX-65-2*-3                         | 64 3/4     | 1645 | 52     | 1321 | 43     | 1092 | 63     | 1600 | 3      | 76 | 3      | 76 |
| WX-66-2*-3                         | 76 3/4     | 1950 | 64     | 1626 | 55     | 1397 | 75     | 1905 | 3      | 76 | 3      | 76 |
| WX-67-2*-3                         | 88 3/4     | 2254 | 76     | 1930 | 67     | 1702 | 87     | 2210 | 3      | 76 | 3      | 76 |
| WX-68-2*-3                         | 100 3/4    | 2559 | 88     | 2235 | 79     | 2007 | 99     | 2515 | 3      | 76 | 3      | 76 |
| WX-69-2*-3                         | 112 3/4    | 2864 | 100    | 2540 | 91     | 2311 | 111    | 2819 | 3      | 76 | 3      | 76 |
| WX-610-2*-3                        | 124 3/4    | 3169 | 112    | 2845 | 103    | 2616 | 123    | 3124 | 3      | 76 | 3      | 76 |
| WX-611-2*-3                        | 136 3/4    | 3474 | 124    | 3150 | 115    | 2921 | 135    | 3429 | 3      | 76 | 3      | 76 |
| WX-612-2*-3                        | 148 3/4    | 3778 | 136    | 3454 | 127    | 3226 | 147    | 3734 | 3      | 76 | 3      | 76 |

### NOZZLE SCHEDULE

| SERVICE | MARK | SHELL SIDE   | MARK | TUBE SIDE |
|---------|------|--------------|------|-----------|
| INLET   | (N1) | AS PER TABLE | (N5) | 2 (51) NP |
| OUTLET  | (N2) | AS PER TABLE | (N6) | 2 (51) NP |
| DRAIN   | (N3) | 1/2 (13) NPT |      |           |
| VENT    | (N4) | 3/4 (19) NPT |      |           |

- NOTES: 1. SUPPORTS SUPPLIED ONLY IF SPECIFIED ON ORDER.  
 2. NOZZLE SIZES SHOWN ARE RECOMMENDED FOR MAXIMUM EXCHANGER LIFE.  
 3. FABRICATED TO ASME CODE SECTION VIII DIVISION 1 AND LATEST ADDENDA.  
 4. DRAWING IS NOT TO SCALE.  
 5. ALL DIM'S ±1/8 (3) UNLESS OTHERWISE SHOWN.

### DESIGN CONDITIONS

|                         | SHELL    |          | TUBES    |          |
|-------------------------|----------|----------|----------|----------|
| DESIGN PRESSURE         | 150 PSIG | 1034 KPa | 150 PSIG | 1034 KPa |
| DESIGN TEMPERATURE      | 375 °F   | 191 °C   | 375 °F   | 191 °C   |
| MIN. DESIGN METAL TEMP. | 35 °F    | 1.7 °C   | 35 °F    | 1.7 °C   |
| HYDRO. TEST PRESSURE    | 225 PSIG | 1551 KPa | 225 PSIG | 1551 KPa |
| CONTENTS                | WATER    |          | WATER    |          |

CUSTOMER:  
 LOCATION:  
 ENGINEER:  
 ORDER No.:  
 PROJECT/JOB:  
 LOCATION:  
 TAG: (QUOTE # )

|       |  |     |        |                      |                      |                      |                         |              |        |      |
|-------|--|-----|--------|----------------------|----------------------|----------------------|-------------------------|--------------|--------|------|
| TITLE | G.A. 150 LB. WX SERIES HEAT EXCHANGERS |     |        |                      | A R M S T R O N G    |                      |                         |              | NUMBER | REV. |
| DATE: | 12 / 01 / 94                           | BY: | D.C.R. | TORONTO - CANADA     | MONTREAL - CANADA    | BUFFALO - N. Y.      | COLCHESTER - U.K.       | WX-6-2P-3(3) |        |      |
|       |  |     |        | TEL : (416) 755-2291 | TEL : (514) 421-2424 | TEL : (716) 693-8813 | TEL : (44) 120-657-9491 |              |        |      |