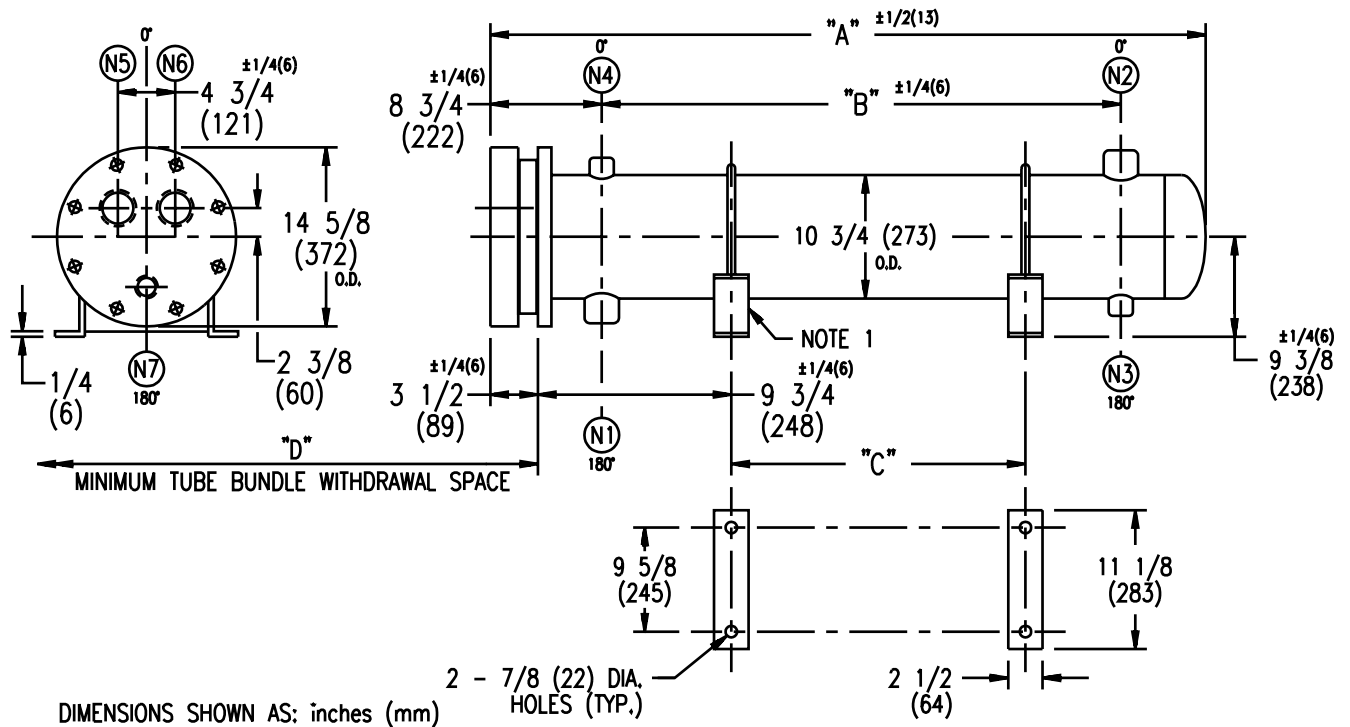


# ARMSTRONG®



EXCHANGER SIZE * - BAFFLE SPACING	DIMENSIONS											
	A		B		C		D		N1		N2	
	inches	mm	inches	mm	inches	mm	inches	mm	inches	mm	inches	mm
W-103-4*-3	42 1/8	1070	26 1/2	673	18	457	38	965	3	76	3	76
W-104-4*-3	54 1/8	1375	38 1/2	978	30	762	50	1270	3	76	3	76
W-105-4*-3	66 1/8	1680	50 1/2	1283	42	1067	62	1575	3	76	3	76
W-106-4*-3	78 1/8	1984	62 1/2	1588	54	1372	74	1880	3	76	3	76
W-107-4*-3	90 1/8	2289	74 1/2	1892	66	1676	86	2184	3	76	3	76
W-108-4*-3	102 1/8	2594	86 1/2	2197	78	1981	98	2489	3	76	3	76
W-109-4*-3	114 1/8	2899	98 1/2	2502	90	2286	110	2794	3	76	3	76
W-1010-4*-3	126 1/8	3204	110 1/2	2807	102	2591	122	3099	3	76	3	76
W-1011-4*-3	138 1/8	3508	122 1/2	3112	114	2896	134	3404	3	76	3	76
W-1012-4*-3	150 1/8	3813	134 1/2	3416	126	3200	146	3708	3	76	3	76
W-1013-4*-3	162 1/8	4118	146 1/2	3721	138	3505	158	4013	3	76	3	76
W-1014-4*-3	174 1/8	4423	158 1/2	4026	150	3810	170	4318	3	76	3	76
W-1015-4*-3	186 1/8	4728	170 1/2	4331	162	4115	182	4623	3	76	3	76

NOZZLE SCHEDULE				
SERVICE	MARK	SHELL SIDE	MARK	TUBE SIDE
INLET	N1	AS PER TABLE	N5	3 (76) NPT
OUTLET	N2	AS PER TABLE	N6	3 (76) NPT
DRAIN	N3	1/2 (13) NPT	N7	1/2 (13) NPT
VENT	N4	3/4 (19) NPT		

NOTES: 1. SUPPORTS SUPPLIED ONLY IF SPECIFIED ON ORDER.  
 2. NOZZLE SIZES SHOWN ARE RECOMMENDED FOR MAXIMUM EXCHANGER LIFE.  
 3. FABRICATED TO ASME CODE SECTION VIII DIVISION 1 AND LATEST ADDENDA.  
 4. DRAWING IS NOT TO SCALE.  
 5. ALL DIMN'S ±1/8 (3) UNLESS OTHERWISE SHOWN.

DESIGN CONDITIONS				
	SHELL		TUBES	
DESIGN PRESSURE	150 PSIG	1034 KPa	150 PSIG	1034 KPa
DESIGN TEMPERATURE	375 °F	191 °C	375 °F	191 °C
MIN. DESIGN METAL TEMP.	35 °F	1.7 °C	35 °F	1.7 °C
HYDRO. TEST PRESSURE	225 PSIG	1551 KPa	225 PSIG	1551 KPa
CONTENTS	WATER		WATER	

CUSTOMER:  
 LOCATION:  
 ENGINEER:  
 ORDER No.:  
 PROJECT/JOB:  
 LOCATION:  
 TAG: (QUOTE # )

TITLE G.A. 150 LB. W SERIES HEAT EXCHANGERS	A R M S T R O N G				NUMBER W-10-4P-3(3)	REV.
DATE: 12/01/94 BY: D.C.R.	TORONTO - CANADA TEL: (416) 755-2291	MONTREAL - CANADA TEL: (514) 421-2424	BUFFALO - N. Y. TEL: (716) 693-8813	COLCHESTER - U.K. TEL: (44) 120-657-9491		