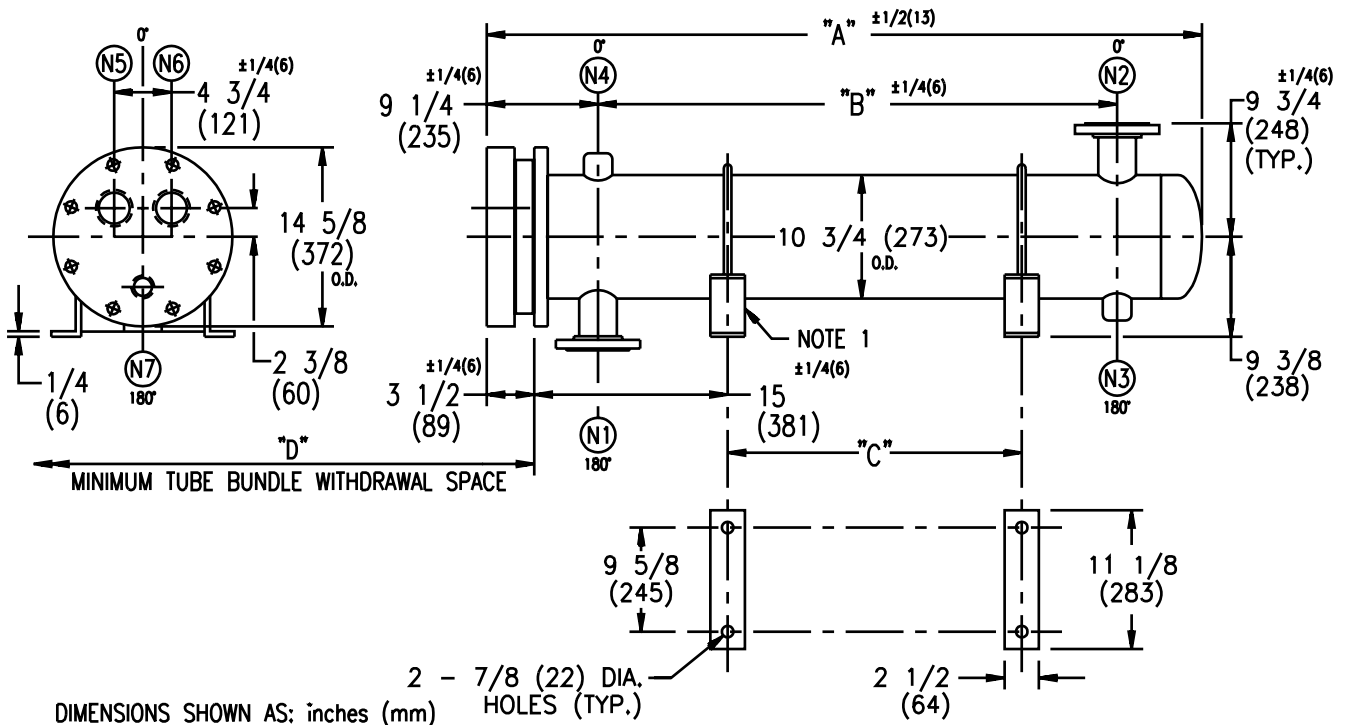


# ARMSTRONG®



EXCHANGER SIZE * - BAFFLE SPACING	DIMENSIONS											
	A		B		C		D		N1		N2	
	inches	mm	inches	mm	inches	mm	inches	mm	inches	mm	inches	mm
W-103-4*-3	42 1/8	1070	23 1/2	597	10 1/2	267	38	965	6	152	6	152
W-104-4*-3	54 1/8	1375	35 1/2	902	22 1/2	572	50	1270	6	152	6	152
W-105-4*-3	66 1/8	1680	47 1/2	1207	34 1/2	876	62	1575	6	152	6	152
W-106-4*-3	78 1/8	1984	59 1/2	1511	46 1/2	1181	74	1880	6	152	6	152
W-107-4*-3	90 1/8	2289	71 1/2	1816	58 1/2	1486	86	2184	6	152	6	152
W-108-4*-3	102 1/8	2594	83 1/2	2121	70 1/2	1791	98	2489	6	152	6	152
W-109-4*-3	114 1/8	2899	95 1/2	2426	82 1/2	2096	110	2794	6	152	6	152
W-1010-4*-3	126 1/8	3204	107 1/2	2731	94 1/2	2400	122	3099	6	152	6	152
W-1011-4*-3	138 1/8	3508	119 1/2	3035	106 1/2	2705	134	3404	6	152	6	152
W-1012-4*-3	150 1/8	3813	131 1/2	3340	118 1/2	3010	146	3708	6	152	6	152
W-1013-4*-3	162 1/8	4118	143 1/2	3645	130 1/2	3315	158	4013	6	152	6	152
W-1014-4*-3	174 1/8	4423	155 1/2	3950	142 1/2	3620	170	4318	6	152	6	152
W-1015-4*-3	186 1/8	4728	167 1/2	4255	154 1/2	3924	182	4623	6	152	6	152

NOZZLE SCHEDULE				
SERVICE	MARK	SHELL SIDE	MARK	TUBE SIDE
INLET	(N1)	AS PER TABLE	(N5)	3 (76) NPT
OUTLET	(N2)	AS PER TABLE	(N6)	3 (76) NPT
DRAIN	(N3)	1/2 (13) NPT	(N7)	1/2 (13) NPT
VENT	(N4)	3/4 (19) NPT		

- NOTES:
1. SUPPORTS SUPPLIED ONLY IF SPECIFIED ON ORDER.
  2. NOZZLE SIZES SHOWN ARE RECOMMENDED FOR MAXIMUM EXCHANGER LIFE.
  3. FABRICATED TO ASME CODE SECTION VIII DIVISION 1 AND LATEST ADDENDA.
  4. DRAWING IS NOT TO SCALE.
  5. ALL DIMN'S ±1/8 (3) UNLESS OTHERWISE SHOWN.

DESIGN CONDITIONS				
	SHELL		TUBES	
DESIGN PRESSURE	150 PSIG	1034 KPa	150 PSIG	1034 KPa
DESIGN TEMPERATURE	375 °F	191 °C	375 °F	191 °C
MIN. DESIGN METAL TEMP.	35 °F	1.7 °C	35 °F	1.7 °C
HYDRO. TEST PRESSURE	225 PSIG	1551 KPa	225 PSIG	1551 KPa
CONTENTS	WATER		WATER	

CUSTOMER:  
LOCATION:  
ENGINEER:  
ORDER No.:  
PROJECT/JOB:  
LOCATION:  
TAG: (QUOTE # )

TITLE	G.A. 150 LB. W SERIES HEAT EXCHANGERS	A R M S T R O N G				NUMBER	W-10-4P-3(6)	REV.			
DATE:	12 / 01 / 94	BY:	D.C.R.	TEL :	(416) 755-2291	TEL :	(514) 421-2424	TEL :	(716) 693-8813	TEL :	(44) 120-657-9491