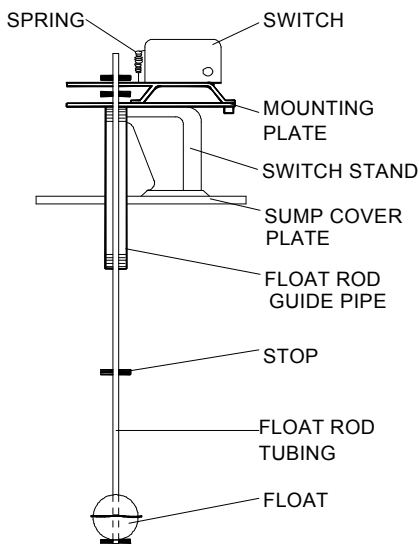


SUBMITTAL

Job: _____	Representative: _____
_____	_____
_____	_____
Engineer: _____	Order No: _____ Date: _____
Contractor: _____	Submitted by: _____ Date: _____
_____	Approved by: _____ Date: _____



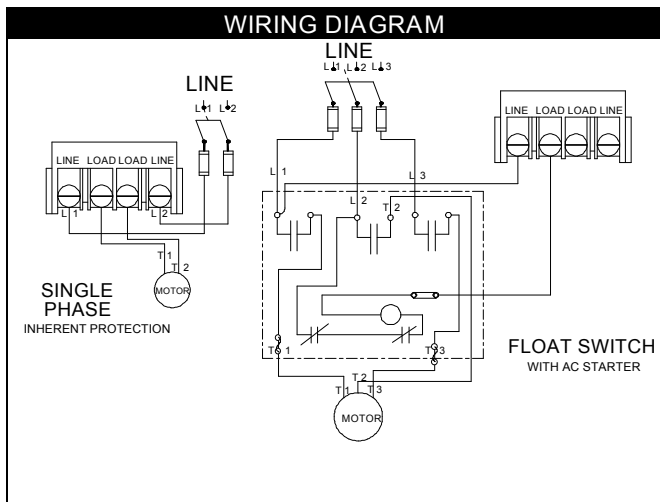
- CONTACT TYPE PILOT DEVICES FOR USE WITH PANELS OR INDIVIDUAL MOTOR STARTERS (OR DIRECT ACTING, WHERE RATING PERMITS)
- SWITCHES ARE DPST, LEVER OPERATED, SNAP ACTION

UNITS INCLUDE

- CLASS 9036 - FLOAT SWITCH
- C.I. SUPPORT STAND
- FLOAT GUIDE PIPE
- COPPER FLOAT BALL
- BRASS ROD AND STOPS

AVAILABLE ENCLOSURES

- NEMA 1 - GENERAL PURPOSE ENCLOSURE
*Standard offering unless indicated otherwise
- NEMA 4 - WATERTIGHT
- NEMA 7 - EXPLOSIONPROOF



ELECTRIC POWER	1 PHASE AC		3 PHASE AC		
	115V	230V	115V	230V	460/575
HP RATING	2	3	3	5	5

HORSEPOWER RATINGS

- FOR MOTORS HANDLED DIRECTLY BY THE CONTROL CONTACTS
- LARGER MOTORS AND ALL 3 PHASE MOTORS SHOULD BE HANDLED DIRECTLY BY A MAGNETIC STARTER, USING THE LEVEL CONTROL AS A PILOT CONTROL TO OPERATE THE COIL CIRCUIT OF THE STARTER

S.A. Armstrong Limited
23 Bertrand Avenue
Toronto, Ontario
Canada, M1L 2P3
Tel: (416) 755-2291
Fax: (416) 755-9101

Armstrong Pumps Limited
Peartree Road, Stanway
Colchester, Essex
United Kingdom, C03 5JX
Tel: 01206-579491
Fax: 01206-760532



Armstrong Pumps Inc.
93 East Avenue
Buffalo, New York
U.S.A. 14120-6594
Tel: (716) 693-8813
Fax: (716) 693-8970
1-800-FLOW-845

Armstrong Darling Inc.
2200 Place Transcanadienne
Montreal, Quebec
Canada, H9P 2X5
Tel: (514) 421-2424
Fax: (514) 421-2436