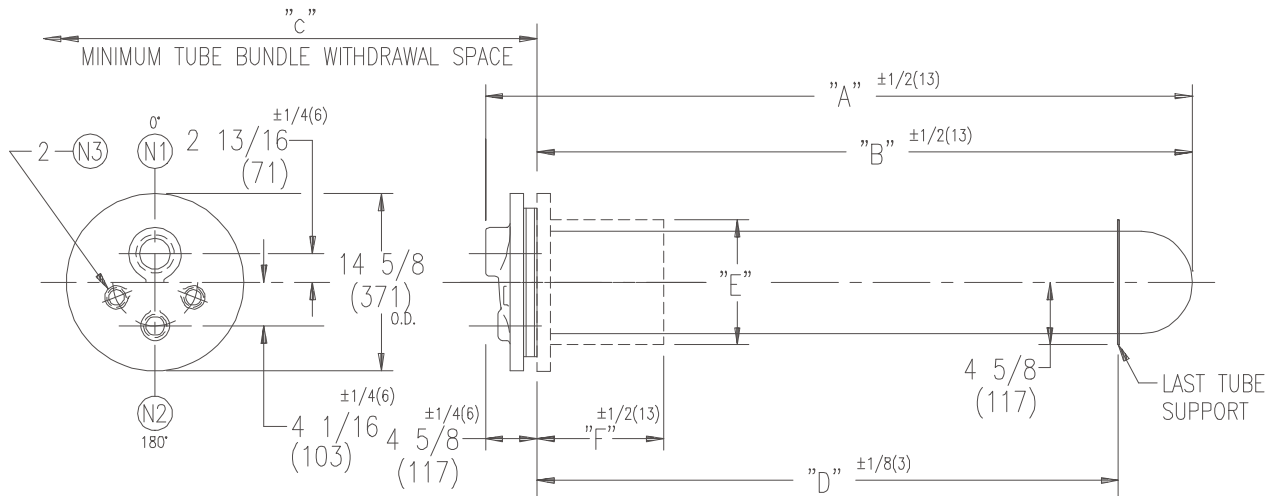


ARMSTRONG®



DIMENSIONS SHOWN AS: inches (mm)

EXCHANGER SIZE	DIMENSIONS								NOZZLE SCHEDULE		
	"A"		"B"		"C"		"D"		(N1) INLET		
	inches	mm	inches	mm	inches	mm	inches	mm	4" NPT	(102)	
THS-1012-2-1	16-3/8	416	11-3/4	298	14	356	-	-	(N2) OUTLET	2" NPT	(51)
THS-1018-2-1	22-3/8	568	17-3/4	451	20	508	-	-	(N3) VENTS	1/2" NPT	(13)
THS-1024-2-1	28-3/8	721	23-3/4	603	26	660	12-1/4	311	COLLAR ASSEMBLY		
THS-1030-2-1	34-3/8	873	29-3/4	756	32	813	18-1/4	464	STANDARD	OVS. (FOR STONE LINING)	
THS-1036-2-1	40-3/8	1026	35-3/4	908	38	965	24-1/4	616	"E"	10-3/4" (273)	12-3/4" (324)
THS-1042-2-1	46-3/8	1178	41-3/4	1060	44	1118	30-1/4	768	"F"	8-1/2" (216)	10" (254)
THS-1048-2-1	52-3/8	1330	47-3/4	1213	50	1270	36-1/4	921	DESIGN CONDITIONS		
THS-1054-2-1	58-3/8	1483	53-3/4	1365	56	1422	42-1/4	1073	TUBES		
THS-1060-2-1	64-3/8	1635	59-3/4	1518	62	1575	48-1/4	1226	DESIGN PRESSURE	125 PSIG	862 KPa
THS-1066-2-1	70-3/8	1788	65-3/4	1670	68	1727	54-1/4	1378	DESIGN TEMPERATURE	375 °F	191 °C
THS-1072-2-1	76-3/8	1940	71-3/4	1822	74	1880	60-1/4	1530	M.D.M.T.	35 °F	1.7 °C
THS-1078-2-1	82-3/8	2092	77-3/4	1975	80	2032	66-1/4	1683	HYD. TEST PRESSURE	250 PSIG	1723 KPa
THS-1084-2-1	88-3/8	2245	83-3/4	2127	86	2184	72-1/4	1835	NOTES:		
THS-1090-2-1	94-3/8	2397	89-3/4	2280	92	2337	78-1/4	1988	1. COLLAR ASSEMBLY SUPPLIED SEPARATELY.		
THS-1096-2-1	100-3/8	2550	95-3/4	2432	98	2489	84-1/4	2140	2. FABRICATED TO ASME CODE SECTION VIII DIVISION 1 AND LATEST ADDENDA.		
THS-10102-2-1	106-3/8	2702	101-3/4	2584	104	2642	90-1/4	2292	3. DRAWING IS NOT TO SCALE.		
THS-10108-2-1	112-3/8	2854	107-3/4	2737	110	2794	96-1/4	2445	4. ALL DIM'S $\pm 1/8$ (3) UNLESS OTHERWISE SHOWN.		
THS-10114-2-1	118-3/8	3007	113-3/4	2889	116	2946	102-1/4	2597	5. DIMENSIONS SHOWN AS: in.(mm)		
THS-10120-2-1	124-3/8	3159	119-3/4	3042	122	3099	108-1/4	2750	CUSTOMER:		
THS-10126-2-1	130-3/8	3312	125-3/4	3194	128	3251	114-1/4	2902	LOCATION:		
THS-10132-2-1	136-3/8	3464	131-3/4	3346	134	3404	120-1/4	3054	ENGINEER :		
THS-10138-2-1	142-3/8	3616	137-3/4	3499	140	3556	126-1/4	3207	ORDER No.:		
THS-10144-2-1	148-3/8	3769	143-3/4	3651	146	3708	132-1/4	3359	PROJECT/JOB:		
THS-10150-2-1	154-3/8	3921	149-3/4	3804	152	3861	138-1/4	3512	LOCATION:		
THS-10156-2-1	160-3/8	4074	154-3/4	3931	158	4013	144-1/4	3664	TAG:		
									QUOTE #		

TITLE	G.A. 150 LB. TANK HEATERS	A R M S T R O N G				NUMBER	THS-10-2P-1	REV.	
DATE	: 06 / 03 / 95	BY	: D.C.R.	TORONTO - CANADA	MONTREAL - CANADA	BUFFALO - N. Y.	COLCHESTER - U.K.		
				TEL : (416) 755-2291	TEL : (514) 421-2424	TEL : (716) 693-8813	TEL : (44) 120-657-9491		