

Vortex Air Separators - Models VA / VAS: 2" to 3"

SUBMITTAL

JOB: _____	REPRESENTATIVE: _____
ENGINEER: _____	ORDER NO: _____ DATE: _____
CONTRACTOR: _____	SUBMITTED BY: _____ DATE: _____
	APPROVED BY: _____ DATE: _____

MODEL NO. ORDERED: _____ QTY.: _____
 TAG NO.: _____
 ASME CONSTRUCTION: YES NO

TECHNICAL DATA

Max. Working Temperature	350°F (176°C)
Max. Working Pressure	160 psi (1105 kPa)
Connection Type	Threaded NPT

MATERIALS OF CONSTRUCTION

Shell	Cast Iron
Strainer	Stainless Steel Mesh (1/4" x 3/4")
Gasket	Non-Asbestos

TYPICAL SPECIFICATION

ASME Coded Units

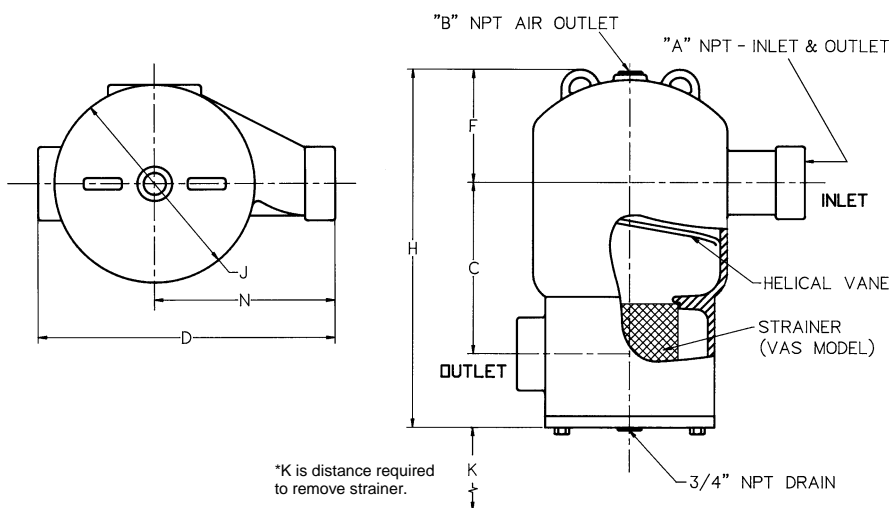
Furnish & install an Armstrong Vortex® Air Separator, Model ____ VA or Model ____ VAS (with strainer) with NPT tangential connections as shown on plans. The unit shall be designed and built in accordance with the latest revisions of ASME Pressure Vessel Code, Section VIII, Division 1. A blowdown connection is provided for routine cleaning of the unit.

Non-ASME Coded Units

Furnish & install an Armstrong Vortex^a Air Separator, Model ____ VA or Model ____ VAS (with strainer) with NPT tangential connections as shown on plans. The unit is considered as "part of the piping" and no Code Inspection applies. A blowdown connection is provided for routine cleaning of the unit.

MODEL		DIMENSIONS inches (mm)									FLOW RATE in USgpm (L/s) for LINE VELOCITY ft/s (m/s)			WEIGHT lbs. (kg)		STRAINER SCREEN FREE AREA
LESS STRAINER	WITH STRAINER	A	B	C	D	F	H	J	K	N	4 (1.22)	6 (1.83)	8 (2.44)	VA	VAS	Sq. in. (Sq. cm)
VA-2	VAS-2	2.00 (51)	0.75 (19)	7.50 (191)	12.75 (324)	4.75 (121)	15.75 (400)	8.63 (219)	7.00 (178)	7.75 (197)	42 (2.6)	63 (4.0)	84 (5.3)	70 (32)	70 (32)	40 (258)
VA-2-1/2	VAS-2-1/2	2.50 (64)	0.75 (19)	9.25 (235)	15.50 (394)	6.15 (156)	19.00 (483)	10.70 (272)	7.88 (200)	9.50 (241)	60 (3.8)	90 (5.7)	120 (7.6)	100 (45)	100 (45)	67 (432)
VA-3	VAS-3	3.00 (76)	0.75 (19)	9.25 (235)	15.50 (394)	6.15 (156)	19.00 (483)	10.70 (272)	7.88 (200)	9.50 (241)	93 (5.9)	140 (8.8)	185 (11.7)	100 (45)	100 (45)	67 (432)

Note: Dimension "K" applies to only VAS Models.



Armstrong Pumps Inc.
 93 East Avenue
 North Tonawanda, New York
 U.S.A. 14120-6594
 Tel: (716) 693-8813
 Fax: (716) 693-8970
 www.armstrongpumps.com

S.A. Armstrong Limited
 23 Bertrand Avenue
 Toronto, Ontario
 Canada, M1L 2P3
 Tel: (416) 755-2291
 Fax: (416) 759-9101



© S.A. Armstrong Limited 2003

Armstrong Pumps Limited
 Peartree Road, Stanway
 Colchester, Essex
 United Kingdom, CO3 0LP
 Tel: +44 (0) 1206 579491
 Fax: +44 (0) 1206 760532

Armstrong Darling
 9001 De L'Innovation, Suite 200
 Montreal, Quebec
 Canada, H1J 2X9
 Tel: (514) 352-2424
 Fax: (514) 352-2425

