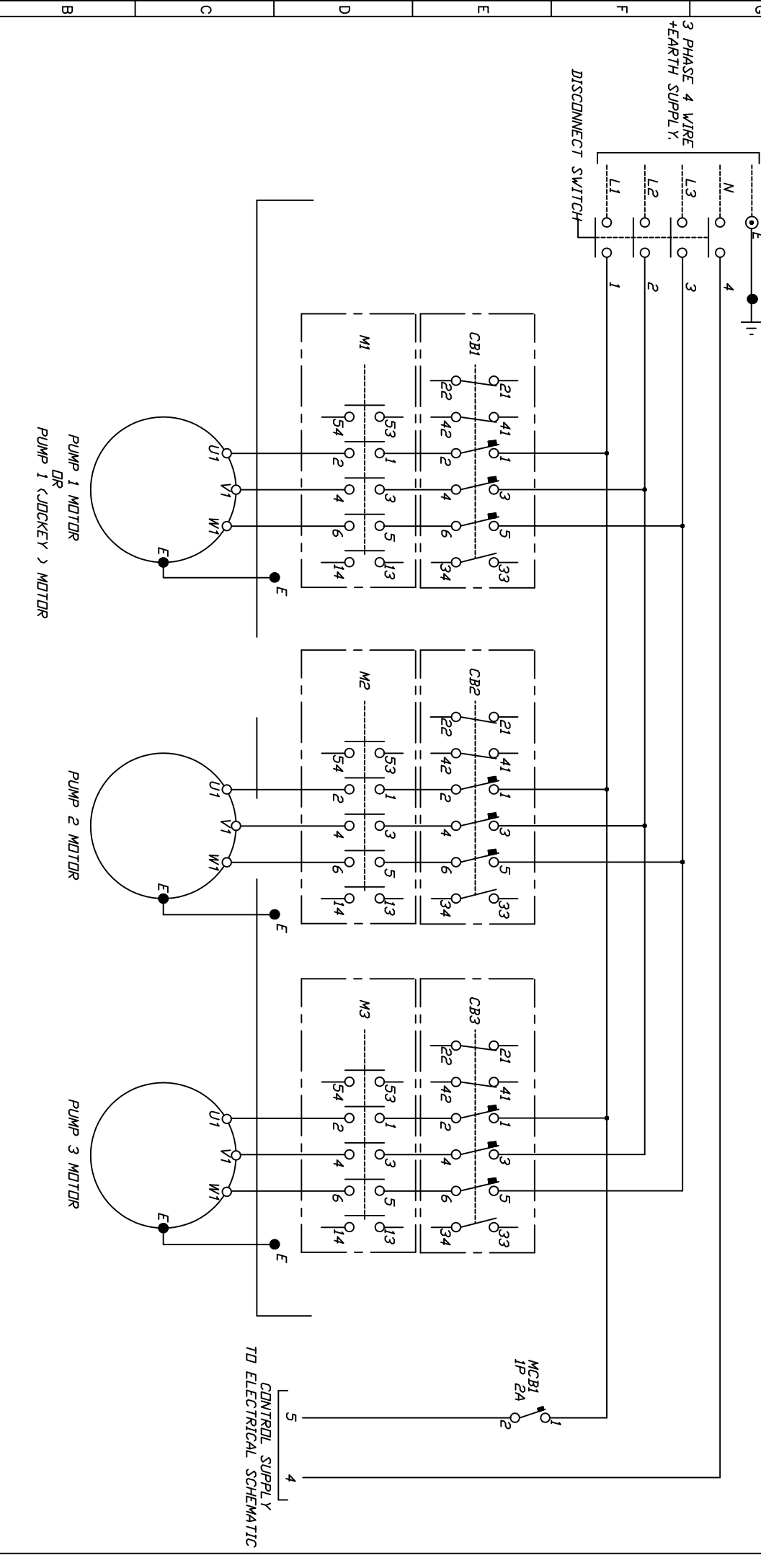


# UNCONTROLLED



LAST MODIFICATION DETAILS		JOB No.		PART No.		WEIGHT KG		FILE NAME		TITLE		DRG No.	
DRAWING BORDER CHANGED		-		-		-		px10060-3		3 PUMP MULTI PUMP CONTROLLER POWER WIRING 3 PHASE DOL 4 WIRE SUPPLY		PX10060-3	
ALL DIMENSIONS IN mm DRAWN TO BS308 WELDING SYMBOLS TO BS499 SURFACE FINISH SHOWN IN MICROMETERS MACHINE WHERE SHOWN TO TOLERANCE ± 0.3MM UNLESS OTHERWISE STATED		DESIGN No.		PATTERN No.		MATERIAL		MAT'L SPEC.		DATE 11/10/2000		DRN BSD	
ISSUE 3		DATE 15/02/2006		DRN PJB		APP EGU		SHEET 1 OF 1		VENLOCK WAY, MANCHESTER, M12 5JL TELE +44 (0) 161 223 2223		ARMSTRONG HOLDEN BROOKE PULLEN	