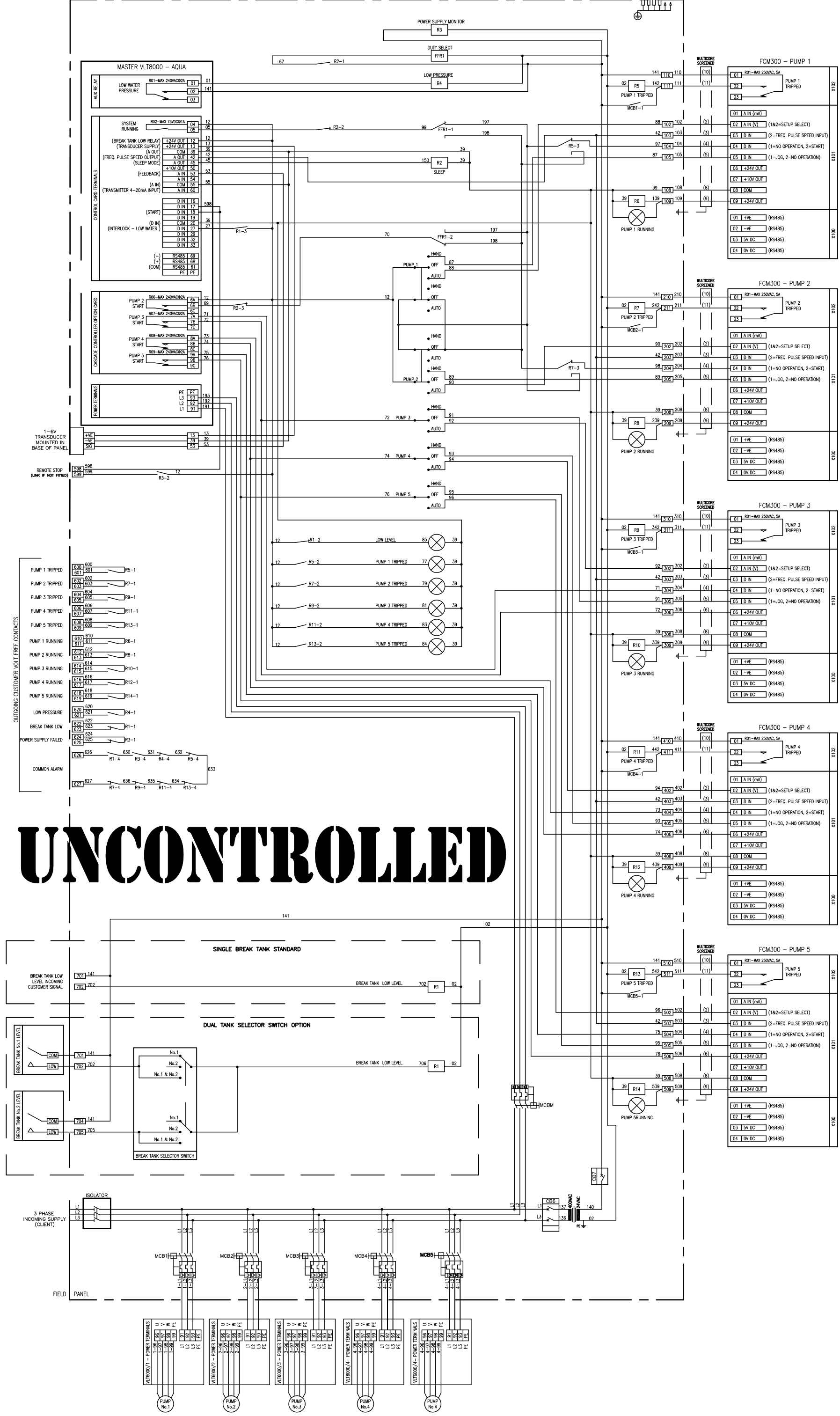


# UNCONTROLLED



LAST MODIFICATION DETAILS  
 DOUBLE POLE SWITCH  
 ADDED TO PUMP 1 & 2  
 ISSUE DATE 07/06/06 DRN JCW  
 4 CHK JCW

ALL DIMENSIONS IN mm  
 DRAWN TO BS308  
 WELDING SYMBOLS TO BS499  
 SURFACE FINISH SHOWN IN  
 MICROMETERS  
 MACHINE WHERE SHOWN ✓  
 TO TOLERANCE + 0.3MM  
 UNLESS OTHERWISE STATED

JOB No. -  
 DESIGN No. -

PART No. K2211/HV5002  
 PATTERN No. -  
 MATERIAL -  
 MAT'L SPEC. -

FILE NAME px10460-3  
 WEIGHT KG -  
 MATERIAL -

TITLE  
 5 PUMP WIRING DIAGRAM  
 6850 HYDROPAK VS  
 BOOSTER SET C/W  
 VLT8000 AQUA CONTROL

DRG No. PX10460-3  
 DATE 10/05/2004 DRN PJB  
 CHK PJB APP WR  
 SCALE NTS SHEET 1 OF 1

**ARMSTRONG**  
 HOLDEN BROOKE PULLEN  
 WENLOCK WAY, MANCHESTER, M12 5JL  
 TEL: +44 (0) 161 223 2223