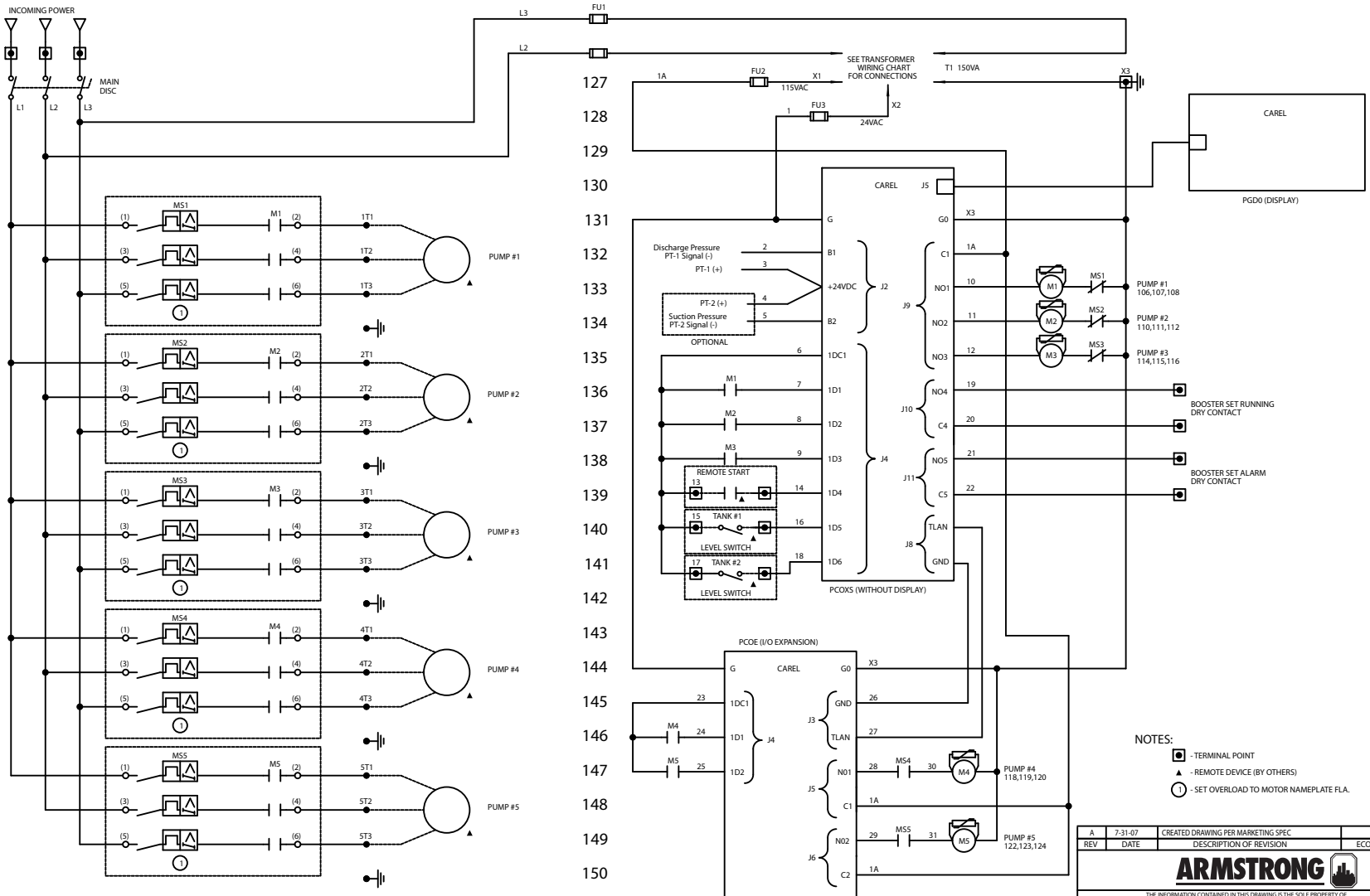


100
101
102
103
104
105
106
107
108
109
110
111
112
113
114
115
116
117
118
119
120
121
122
123
124
125
126

127
128
129
130
131
132
133
134
135
136
137
138
139
140
141
142
143
144
145
146
147
148
149
150



- NOTES:
- ◻ - TERMINAL POINT
 - ▲ - REMOTE DEVICE (BY OTHERS)
 - ⊖ - SET OVERLOAD TO MOTOR NAMEPLATE FLA.

REV	DATE	DESCRIPTION OF REVISION	ECO	B.B.	B.B.
A	7-31-07	CREATED DRAWING PER MARKETING SPEC			



THE INFORMATION CONTAINED IN THIS DRAWING IS THE SOLE PROPERTY OF S.A. ARMSTRONG LTD. ANY REPRODUCTION IN PART OR WHOLE WITHOUT THE WRITTEN PERMISSION OF S.A. ARMSTRONG LTD IS PROHIBITED

CHECKED	CS	BOOSTER CONSTANT SPEED PENTAPLEX WIRING DIAGRAM
SCALE	NONE	
CUST. P.O.		
JOB NO.	CUSTOMER	DWG. NO.
		SHT. OF 1