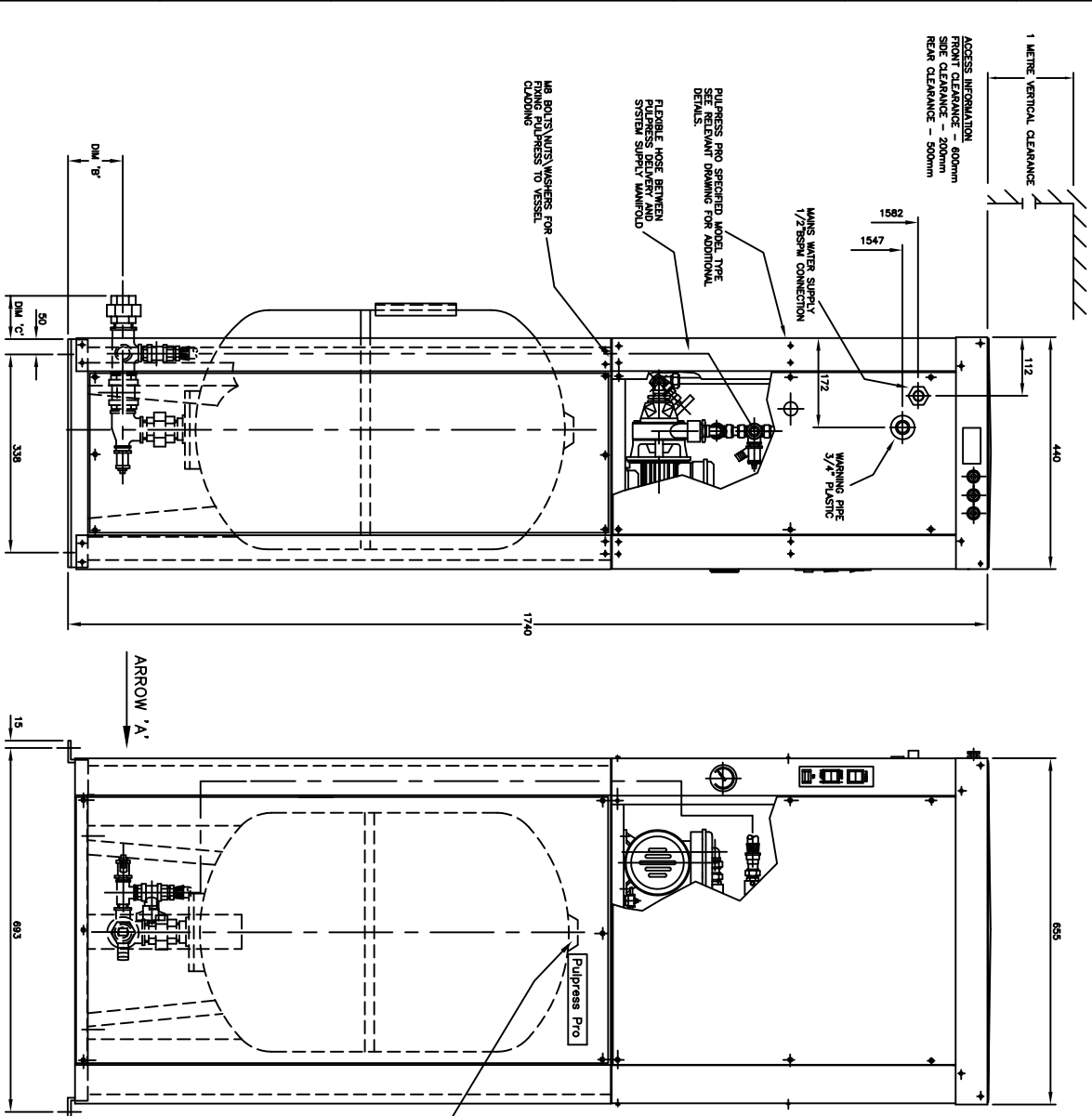


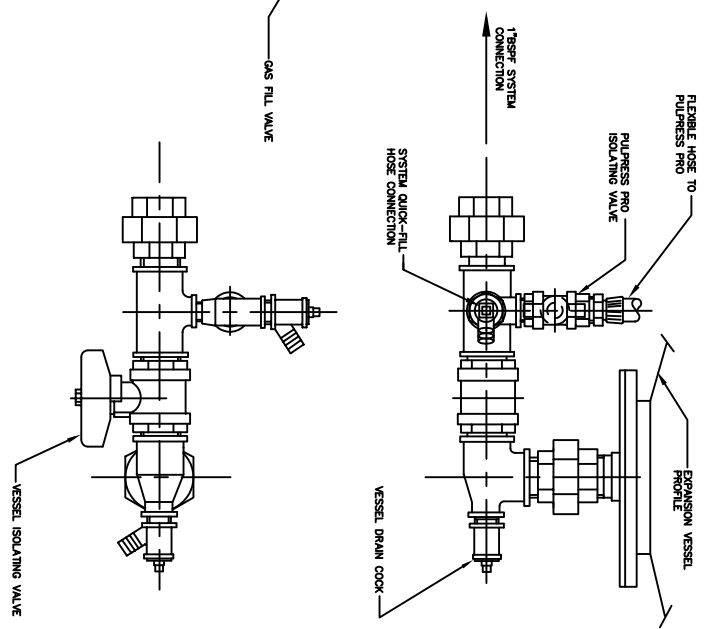
NOTE - PULPRESS UNITS MUST BE STORED IN A FROST-FREE ENVIRONMENT



| VESSEL SIZE | DM B | DM C | WT KG |
|-------------|------|------|-------|
| 60 LITRES | 100 | 110 | 102 |
| 100 LITRES | 100 | 110 | 114 |

NOTE - UNPACKED PULPSET WEIGHT SHOWN ABOVE IS WHEN USING 2.7BAR - 2 PUMP PULPRESS PRO PULPSET

SCRAP VIEW ON ARROW 'A'



UNCONTROLLED

NOTES: DIMENSIONS IN MILLIMETRES UNLESS OTHERWISE STATED

LAST MODIFICATION DETAILS
DRAWING BORDER CHANGED

ISSUE DATE: 02/2006 DRN PUB
CHK PUB APP PUB

ALL DIMENSIONS IN mm
DRAWN TO BS308
WELDING SYMBOLS TO BS499
SURFACE FINISH SHOWN IN
MICROMETERS
MACHINE WHERE SHOWN
TO TOLERANCE ± 0.3MM
UNLESS OTHERWISE STATED

| JOB No. | PART No. | WEIGHT KG | FILE NAME |
|------------|-------------|-----------|-------------|
| - | - | - | 13726A |
| DESIGN No. | PATTERN No. | MATERIAL | MAT'L SPEC. |
| - | - | - | - |

THIS DRAWING IS THE PRIVATE AND CONFIDENTIAL PROPERTY OF ARMSTRONG HOLDEN BROOKE PULLEN LTD. ALL COPYRIGHT, MANUFACTURING AND SALES RIGHTS RESERVED.

TITLE
DIMENSION & PROFILE DRAWING
PULPRESS PRO UNIT PACKAGED
IN CLADDING WITH 60-100 LITRE
REMOVABLE DIAPHRAGM
VESSEL

| DRG No. | DATE | CHK | SCALE |
|---------|------------|-----|-------|
| 13726A | 11/11/1997 | DIA | NTS |

ARMSTRONG HOLDEN BROOKE PULLEN
MENLOK WAY, MANCHESTER, M12 5UL
TEL: +44 (0) 161 223 2223